

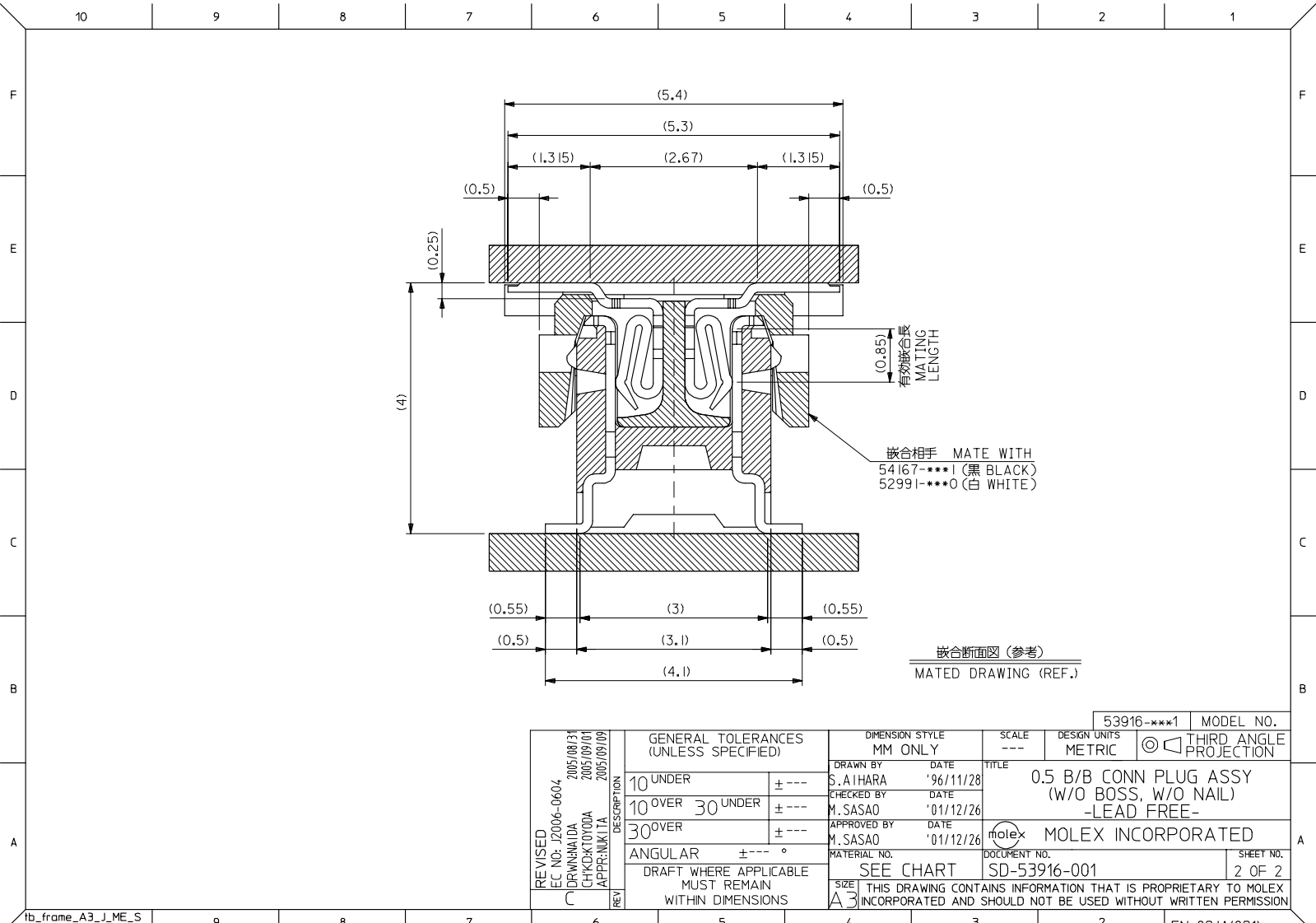
60極品以上形状図
SHAPE OF OVER 60CKT.

注記 NOTES:

1. 使用材料 MATERIAL
 ウエハー: LCPガラス入り (黒) UL94V-0
 WAFER: LCP(G.F.) (COLOR: BLACK),
 UL94V-0
 ピン: 黄銅 (t=0.15)
 PIN: BRASS (t=0.15)
 5 嵌合相手: 54167 シリーズ
 52991 シリーズ
 MATE WITH: 54167 SERIES.
 52991 SERIES.
 2. メッキ仕様 PLATING
 全体仕上げ: 金メッキ 0.1 MICROMETER MIN.
 ALL OVER: GOLD 0.1 MICROMETER MIN.
 下地メッキ: ニッケルメッキ 1.5 MICROMETER MIN.
 UNDER PLATING: NICKEL 1.5 MICROMETER MIN.
 3. 基準面 X からのソルダーテールの半田付け面のズレ量は、上方向 0、
 下方向 0.15MAX. とする。
 MISALIGNMENT OF SOLDER TAIL FROM X
 : UPPER DIRECTION 0, LOWER DIRECTION 0.15 MAX.
- △ (全極数/2) = 偶数の場合に適用。
 APPLY FOR (CIRCUIT/2) = EVEN.

53916-***1	MODEL NO.	C	B	A	MATERIAL NO.	極数 CIRCUIT
20.24	19.5	22.3	53916-0801	80		
17.74	17.0	19.8	-0701	70		
15.24	14.5	17.3	-0601	60		
12.74	12.0	14.8	-0501	50		
10.24	9.5	12.3	-0401	40		
7.74	7.0	9.8	-0301	30		
5.24	4.5	7.3	53916-0201	20		

REVISED	EC NO. J2006-0604	2005/08/31	DRW:NAIDA	2005/09/01	CHK:KTYODA	2005/09/01	APP:NIKIITA	2005/09/09	DESCRIPTION	GENERAL TOLERANCES (UNLESS SPECIFIED)	DIMENSION STYLE MM ONLY	SCALE ---	DESIGN UNITS METRIC	THIRD ANGLE PROJECTION
									10 UNDER ±0.2	DRAWN BY S. AIHARA	DATE '96/11/28	TITLE 0.5 B/B CONN PLUG ASSY (W/O BOSS, W/O NAIL) -LEAD FREE-		
									10 OVER 30 UNDER ±0.25	CHECKED BY M. SASAO	DATE '01/12/26			
									30 OVER ±0.3	APPROVED BY M. SASAO	DATE '01/12/26			
									ANGULAR ±3 °	MATERIAL NO.				
									DRAFT WHERE APPLICABLE MUST REMAIN WITHIN DIMENSIONS	SEE CHART		DOCUMENT NO. SD-53916-001	SHEET NO. 1 OF 2	
										SIZE A3	THIS DRAWING CONTAINS INFORMATION THAT IS PROPRIETARY TO MOLEX INCORPORATED AND SHOULD NOT BE USED WITHOUT WRITTEN PERMISSION			



REVISED		GENERAL TOLERANCES (UNLESS SPECIFIED)		DIMENSION STYLE		SCALE		DESIGN UNITS		MODEL NO.	
EC NO. J2006-0604		10 UNDER ± ---		MM ONLY		---		METRIC		53916-***1	
DRW:NAIDA 2005/08/31		10 OVER 30 UNDER ± ---		DRAWN BY S. AIHARA		DATE '96/11/28		THIRD ANGLE PROJECTION		TITLE	
CHK:KATOYODA 2005/09/01		30 OVER ± ---		CHECKED BY M. SASAO		DATE '01/12/26		MOLEX INCORPORATED		0.5 B/B CONN PLUG ASSY (W/O BOSS, W/O NAIL) -LEAD FREE-	
APP:NUMITA 2005/09/09		ANGULAR ± --- °		APPROVED BY M. SASAO		DATE '01/12/26		DOCUMENT NO. SD-53916-001		SHEET NO. 2 OF 2	
DESCRIPTION		DRAFT WHERE APPLICABLE MUST REMAIN WITHIN DIMENSIONS		MATERIAL NO. SEE CHART		THIS DRAWING CONTAINS INFORMATION THAT IS PROPRIETARY TO MOLEX INCORPORATED AND SHOULD NOT BE USED WITHOUT WRITTEN PERMISSION		EN-02JA(021)			

10 9 8 7 6 5 4 3 2 1

F

E

D

C

B

A

F

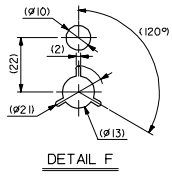
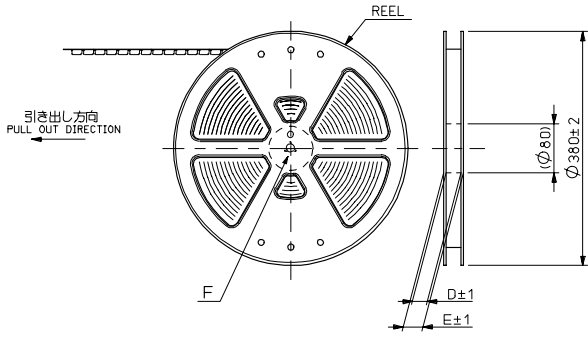
E

D

C

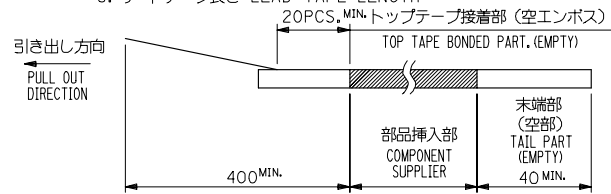
B

A

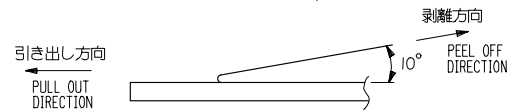


NOTES

- 製品詳細寸法については図面 SD-53916-001 を参照下さい。
RE DETAILED DIMENSION, SEE SD-53916-001
- 梱包数量：1500個/リール
NUMBER OF CONNECTORS：1500PCS/REEL
- リードテープ長さ LEAD TAPE LENGTH



- トップテープの剥離強度：0.1N~1.3N (10gf~130gf) (剥離方向は下図参照) 尚、本規格値は出荷時に適用。(但し、輸送時に剥離が発生しないこと。)
PEELING OFF FORCE OF TOP TAPE；0.1N~1.3N (10gf~130gf)
(PEELING DIRECTION AS SHOWN IN FOLLOWING FIG.)
THIS REQUIREMENT SHOULD BE APPLIED AT SHIPMENT.
PEEL OFF SHOULD NOT BE ALLOWED, DURING TRANSPORTATION.



- 材料(MATERIAL)
キャリアテープ(CARRIER TAPE)：ポリプロピレン(POLYPROPYLENE)
トップテープ(TOPTAPE)：PET, PE, PEF
リール(REEL)：ポリスチレン(PS) <リサイクル材を含む>
POLYSTYREN(PS) <RECYCLE MATERIAL CONTAINED>

53916-***8 MODEL NO.

REVISED IEC NO. J2006-0604 DRW:NAIDA 2005/08/31 CHK:KTYODA 2005/09/01 APPR:NIKIITA 2005/09/09	GENERAL TOLERANCES (UNLESS SPECIFIED)		DIMENSION STYLE MM ONLY		SCALE ---	DESIGN UNITS METRIC	THIRD ANGLE PROJECTION
	10 UNDER	±0.2	DRAWN BY S. AIHARA	DATE '96/11/27	TITLE 0.5 B/B CONN PLUG ASSY EMBSTP PKG -LEAD FREE-		
	10 OVER 30 UNDER	±0.25	CHECKED BY T. ITO	DATE '01/01/26			
	30 OVER	±0.3	APPROVED BY M. FUKUSHIMA	DATE '01/01/26	MOLEX INCORPORATED		
	ANGULAR	±3 °	MATERIAL NO. SEE CHART				
DRAFT WHERE APPLICABLE MUST REMAIN WITHIN DIMENSIONS		SIZE A3	THIS DRAWING CONTAINS INFORMATION THAT IS PROPRIETARY TO MOLEX INCORPORATED AND SHOULD NOT BE USED WITHOUT WRITTEN PERMISSION				

9

8

7

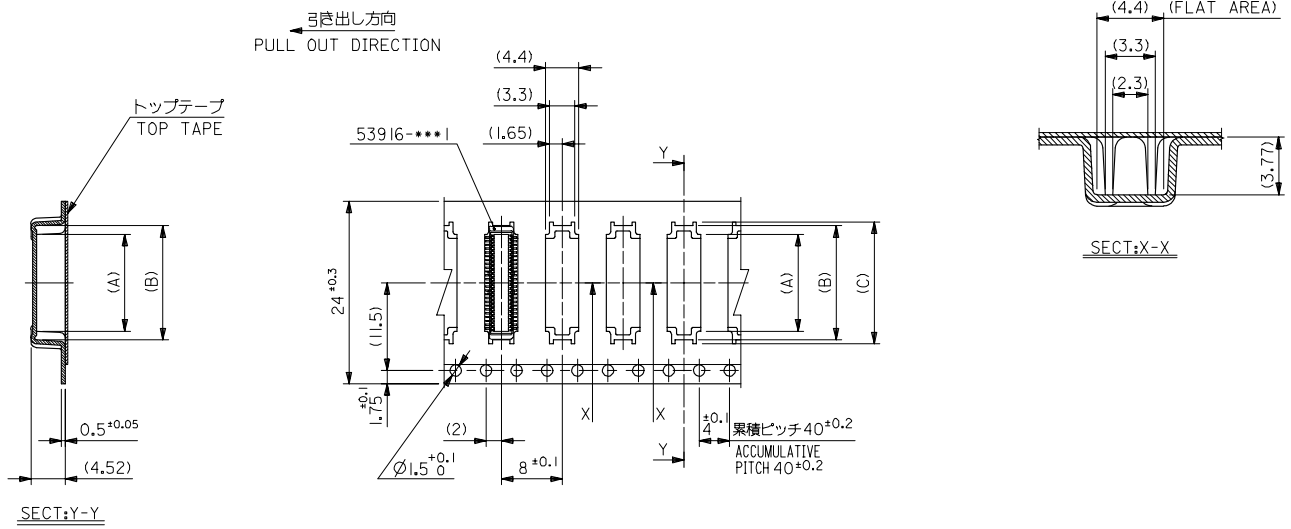
6

5

4

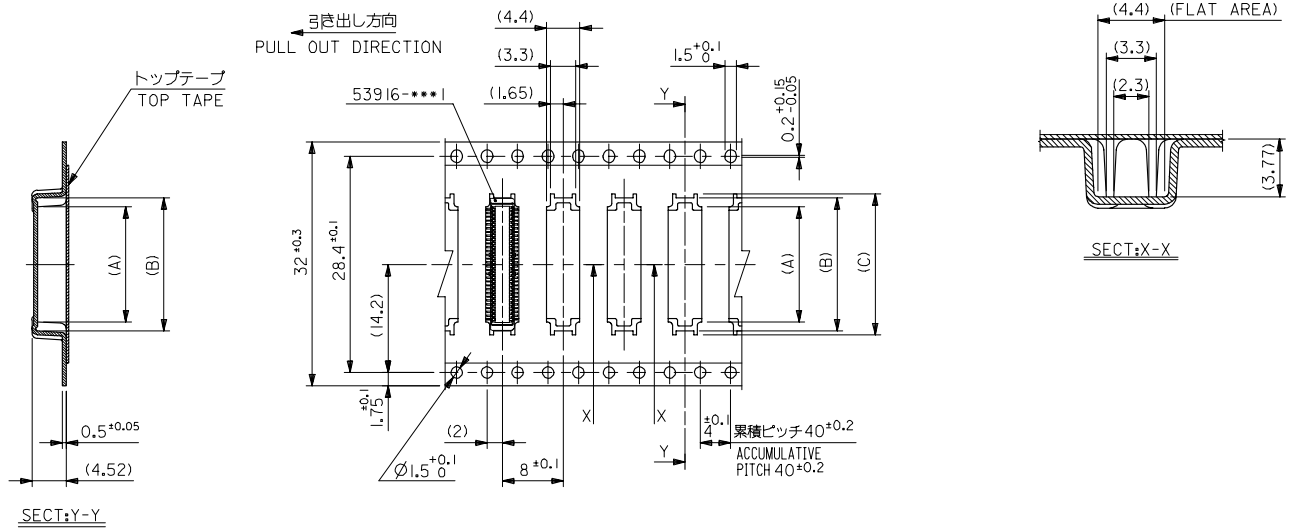
3

2



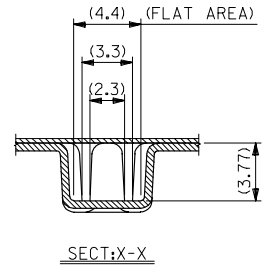
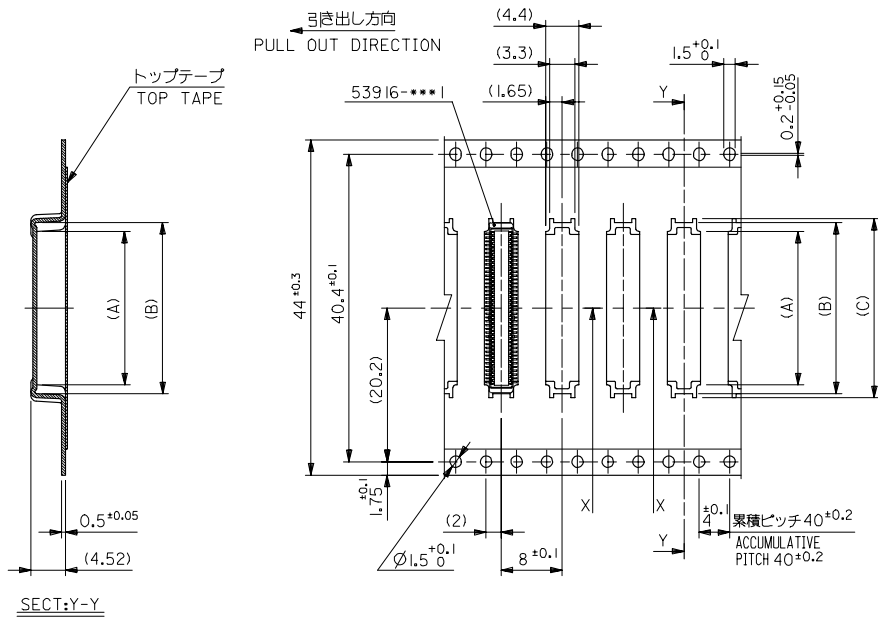
24mm幅キャリアテープ
24mm WIDTH CARRIER TAPE

REVISED EC NO. J2006-0604 DRAWN BY DR. NAITA CHKD BY CHIKAKI YODA APPR. BY NAKITA	DESCRIPTION 2005/08/31 2005/09/01 2005/09/09	53916-***8	MODEL NO.	キャリアテープ幅 CARRIER TAPE WIDTH	24	29.4	25.4	16	15	12.67	53916-0508	50	
		10 UNDER	± ---	DRAWN BY	S. AIHARA	DATE	'96/11/27	3.5	12.5	10.17	53916-0408	40	
		10 OVER 30 UNDER	± ---	CHECKED BY	T. ITO	DATE	'01/01/26	11	10	7.67	53916-0308	30	
		30 OVER	± ---	APPROVED BY	M. FUKUSHIMA	DATE	'01/01/26	8.5	7.5	5.17	53916-0208	20	
GENERAL TOLERANCES (UNLESS SPECIFIED)		DIMENSION STYLE MM ONLY		SCALE	---		DESIGN UNITS METRIC	THIRD ANGLE PROJECTION					
ANGULAR ± --- °		DRAFT WHERE APPLICABLE MUST REMAIN WITHIN DIMENSIONS		MATERIAL NO.		SEE CHART		DOCUMENT NO.		SD-53916-002			SHEET NO. 2 OF 4
TITLE 0.5 B/B CONN PLUG ASSY EMBSTP PKG -LEAD FREE-				MOLEX INCORPORATED									
THIS DRAWING CONTAINS INFORMATION THAT IS PROPRIETARY TO MOLEX INCORPORATED AND SHOULD NOT BE USED WITHOUT WRITTEN PERMISSION													



32mm幅キャリアテープ
32mm WIDTH CARRIER TAPE

REVISED		53916-***8		MODEL NO.		32	37.4	33.4	18.5	17.5	15.17	53916-0608	60	
EC NO. J2006-0604		2005/08/31		2005/09/01		キャリアテープ幅 CARRIER TAPE WIDTH		E	D	(C)	(B)	(A)	MATERIAL NO.	種数 CIRCUIT
DRAWN BY T. YASUI		DATE '97/05/14		GENERAL TOLERANCES (UNLESS SPECIFIED)		DIMENSION STYLE MM ONLY		SCALE ---		DESIGN UNITS METRIC		THIRD ANGLE PROJECTION		
CHECKED BY T. ITO		DATE '01/01/26		10 UNDER ± ---		DRAWN BY T. YASUI		DATE '97/05/14		TITLE 0.5 B/B CONN PLUG ASSY EMBSTP PKG -LEAD FREE-				
APPROVED BY M. FUKUSHIMA		DATE '01/01/26		10 OVER 30 UNDER ± ---		CHECKED BY T. ITO		DATE '01/01/26		MOLEX INCORPORATED				
DESCRIPTION G		REV		30 OVER ± ---		APPROVED BY M. FUKUSHIMA		DATE '01/01/26		MOLEX INCORPORATED				
				ANGULAR ± --- °		MATERIAL NO.		SEE CHART		DOCUMENT NO. SD-53916-002		SHEET NO. 3 OF 4		
				DRAFT WHERE APPLICABLE MUST REMAIN WITHIN DIMENSIONS		SIZE A3		THIS DRAWING CONTAINS INFORMATION THAT IS PROPRIETARY TO MOLEX INCORPORATED AND SHOULD NOT BE USED WITHOUT WRITTEN PERMISSION						



44mm幅キャリアテープ
44mm WIDTH CARRIER TAPE

REVISED IEC NO. J2006-0604 DRAWN BY CHIKAKI YODA APPR. NIKITA 2005/08/31 2005/09/01 2005/09/09	53916-***8	MODEL NO.	44	49.4	45.4	23.5	22.5	20.17	53916-0808	80
	GENERAL TOLERANCES (UNLESS SPECIFIED)		DIMENSION STYLE		SCALE	DESIGN UNITS		THIRD ANGLE PROJECTION		
	10 UNDER	±---	MM ONLY		---	METRIC		0.5 B/B CONN PLUG ASSY EMBSTP PKG -LEAD FREE-		
	10 OVER 30 UNDER	±---	DRAWN BY S. AIHARA		DATE '98/10/23	TITLE				
30 OVER	±---	CHECKED BY T. ITO		DATE '01/01/26	MOLEX INCORPORATED					
ANGULAR	±---°	APPROVED BY M. FUKUSHIMA		DATE '01/01/26	MATERIAL NO.					
DRAFT WHERE APPLICABLE MUST REMAIN WITHIN DIMENSIONS		SEE CHART		DOCUMENT NO. SD-53916-002		SHEET NO. 4 OF 4				
THIS DRAWING CONTAINS INFORMATION THAT IS PROPRIETARY TO MOLEX INCORPORATED AND SHOULD NOT BE USED WITHOUT WRITTEN PERMISSION										