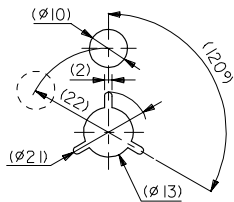
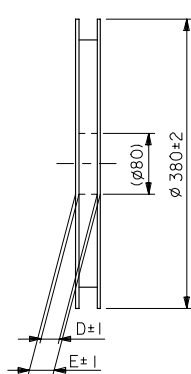
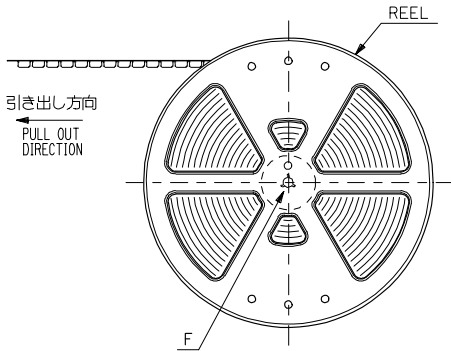




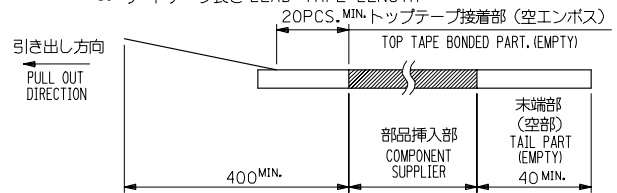
10 9 8 7 6 5 4 3 2 1



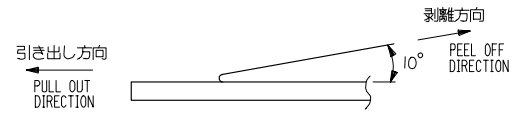
DETAIL F

NOTES

- 製品詳細寸法については図面 SD-54102-006 を参照下さい。  
RE DETAILED DIMENSION, SEE SD-54102-006.
- 梱包数量：3000個/リール  
NUMBER OF CONNECTORS : 3000PCS/REEL
- リードテープ長さ LEAD TAPE LENGTH

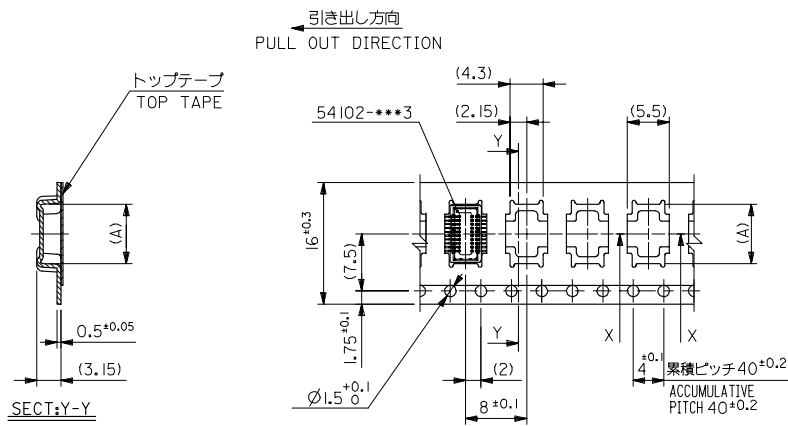


- トップテープの剥離強度：0.1～1.3N (10～130gf)  
(剥離方向は下図参照)  
尚、本規格値は出荷時に適用。(但し、輸送時に剥離が発生しないこと。)  
PEELING OFF FORCE OF TOP TAPE : 0.1～1.3N (10～130gf)  
(PEELING DIRECTION AS SHOWN IN FOLLOWING FIG.)  
THIS REQUIREMENT SHOULD BE APPLIED AT SHIPMENT.  
PEEL OFF SHOULD NOT BE ALLOWED , DURING TRANSPORTATION.



- 材料 (MATERIAL)  
キャリアテープ (CARRIER TAPE) : ポリプロピレン (POLYPROPYLENE)  
トップテープ (TOP TAPE) : PET , PE , PEF  
リール (REEL) : ポリスチレン (PS) <リサイクル材を含む>  
POLYSTYRENE (PS) <RECYCLE MATERIAL CONTAINED>

REVISED REV. NO. J2005-1175 EC NO. J2005-1175 DRAWN BY Y. SAKIYA 2004/10/29 CHKD BY CHIKAKIYODA 2004/10/29 APPR. BY M. SASAO 2004/11/01	GENERAL TOLERANCES (UNLESS SPECIFIED)		DIMENSION STYLE MM ONLY		SCALE ---	DESIGN UNITS METRIC	THIRD ANGLE PROJECTION
	10 UNDER	± 0.2	DRAWN BY Y. SAKIYA	DATE 2004/05/06	TITLE EMBSTP PKG FOR 0.5 B/B REC HSG ASSY (H=2.5) [NI BARRIER]-LEAD FREE- MOLEX INCORPORATED		
	10 OVER 30 UNDER	± 0.25	CHECKED BY M. SASAO	DATE 2004/05/06			
	30 OVER	± 0.3	APPROVED BY M. SASAO	DATE 2004/05/06			
ANGULAR	± 3 °	MATERIAL NO. SEE CHART		DOCUMENT NO. SD-54102-007	SHEET NO. 1 OF 3		
DRAFT WHERE APPLICABLE MUST REMAIN WITHIN DIMENSIONS		THIS DRAWING CONTAINS INFORMATION THAT IS PROPRIETARY TO MOLEX INCORPORATED AND SHOULD NOT BE USED WITHOUT WRITTEN PERMISSION					



16mm幅キャリアテープ  
16mm WIDTH CARRIER TAPE

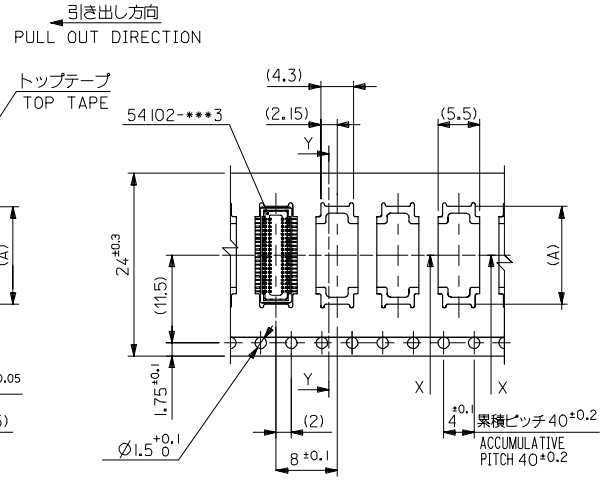
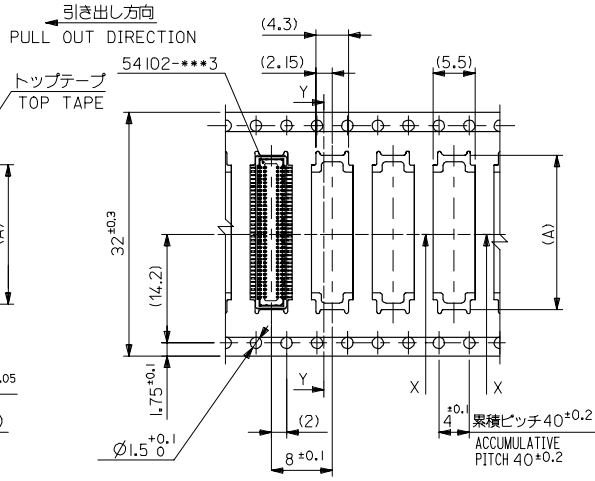
16	21.4	17.4	7.8	54102-0204	20
キャリアテープ幅 CARRIER TAPE WIDTH	E	D	(A)	MATERIAL NO.	機数 CIRCUITS

MODEL NO. 54102-\*\*\*4  
THIRD ANGLE PROJECTION

REVISED REV. NO. J2005-1175 2004/10/29 DRAWN BY Y. SAKIYA 2004/10/29 CHKD BY M. SASAO 2004/11/01 APPR. BY M. SASAO 2004/11/01	GENERAL TOLERANCES (UNLESS SPECIFIED)		DIMENSION STYLE MM ONLY		SCALE ---	DESIGN UNITS METRIC	TITLE EMBSTP PKG FOR 0.5 B/B REC HSG ASSY (H=2.5) [NI BARRIER]-LEAD FREE- MOLEX INCORPORATED
	10 UNDER	±0.2	DRAWN BY Y. SAKIYA	DATE 2004/05/06	DOCUMENT NO. SD-54102-007		
	10 OVER 30 UNDER	±0.25	CHECKED BY M. SASAO	DATE 2004/05/06	SHEET NO. 2 OF 3		
	30 OVER	±0.3	APPROVED BY M. SASAO	DATE 2004/05/06	THIS DRAWING CONTAINS INFORMATION THAT IS PROPRIETARY TO MOLEX INCORPORATED AND SHOULD NOT BE USED WITHOUT WRITTEN PERMISSION		
ANGULAR ±3 °		DRAFT WHERE APPLICABLE MUST REMAIN WITHIN DIMENSIONS		SEE CHART			

10 9 8 7 6 5 4 3 2 1

F  
E  
D  
C  
B  
A



32	37.4	33.4	20.3	54102-0704	70
			17.8	54102-0604	60
24	29.4	25.4	15.3	54102-0504	50
			12.8	54102-0404	40
			10.3	54102-0304	30
キャリアテープ幅 CARRIER TAPE WIDTH	E	D	(A)	MATERIAL NO.	機数 CIRCUITS

REVISED IEC NO. J2005-1175 2004/10/29 DRAWN/MINEDA CHIKAKIYOYODA 2004/10/29 APPR/NIKITA 2004/11/01	GENERAL TOLERANCES (UNLESS SPECIFIED)		DIMENSION STYLE MM ONLY		SCALE ---	DESIGN UNITS METRIC	MODEL NO. 54102-****4
	10 UNDER	±0.2	DRAWN BY Y.SAKIYA	DATE 2004/05/06	TITLE EMBSTP PKG FOR 0.5 B/B REC HSG ASSY (H=2.5) [NI BARRIER]-LEAD FREE-		
	10 OVER 30 UNDER	±0.25	CHECKED BY M.SASAO	DATE 2004/05/06	MATERIAL NO.		
	30 OVER	±0.3	APPROVED BY M.SASAO	DATE 2004/05/06	DOCUMENT NO. SD-54102-007		
	ANGULAR	±3 °	DRAFT WHERE APPLICABLE MUST REMAIN WITHIN DIMENSIONS		SIZE A3	THIS DRAWING CONTAINS INFORMATION THAT IS PROPRIETARY TO MOLEX INCORPORATED AND SHOULD NOT BE USED WITHOUT WRITTEN PERMISSION	
SHEET NO. 3 OF 3		EN-02JAI021					