

DWG. NO. SD-54722-010

8 7 6 5 4 3 2 1

F

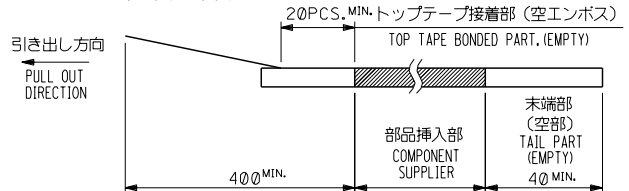
D

C

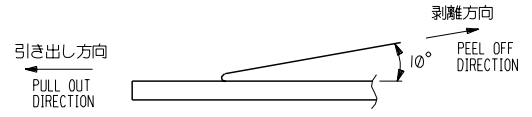
B

NOTES

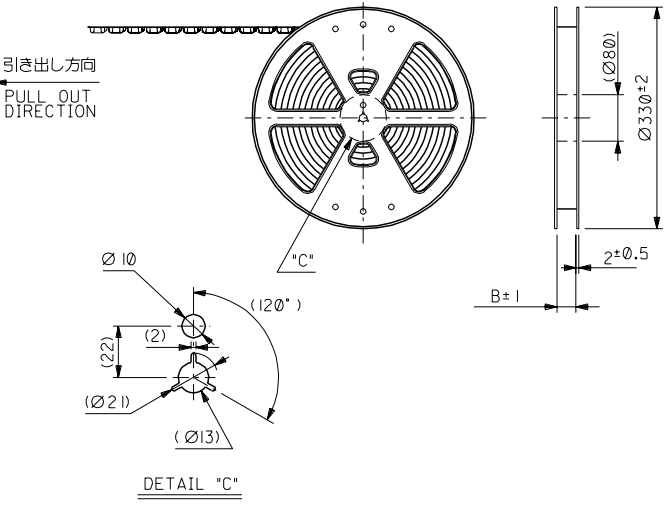
- 製品詳細寸法については図面 SD-54722-007 を参照下さい。  
RE DETAILED DIMENSION, SEE SD-54722-007
- 梱包数量：2000個/リール  
NUMBER OF CONNECTORS：2000PCS/REEL
- リードテープ長さ LEAD TAPE LENGTH  
20PCS. MIN. トップテープ接着部 (空インボス)



- トップテープの剥離強度：0.1N ~ 0.7N (10.2gf ~ 71.4gf)  
(剥離方向は下図参照)  
尚、本規格値は出荷時に適用。(但し、輸送時に剥離が発生しないこと。)  
PEELING OFF FORCE OF TOP TAPE : 0.1N ~ 0.7N (10.2gf ~ 71.4gf)  
(PEELING DIRECTION AS SHOWN IN FOLLOWING FIG.)  
THIS REQUIREMENT SHOULD BE APPLIED AT SHIPMENT.  
PEEL OFF SHOULD NOT BE ALLOWED, DURING TRANSPORTATION.



- 材料 (MATERIAL)  
キャリアテープ：ポリプロピレン (PP)  
CARRIER TAPE : POLYPROPYLENE (PP)  
トップテープ：PET, PE, PEF  
TOP TAPE : PET, PE, PEF  
リール：ポリスチレン (PS) <リサイクル材を含む>  
REEL : POLYSTYRENE (PS) <RECYCLE MATERIAL CONTAINED>

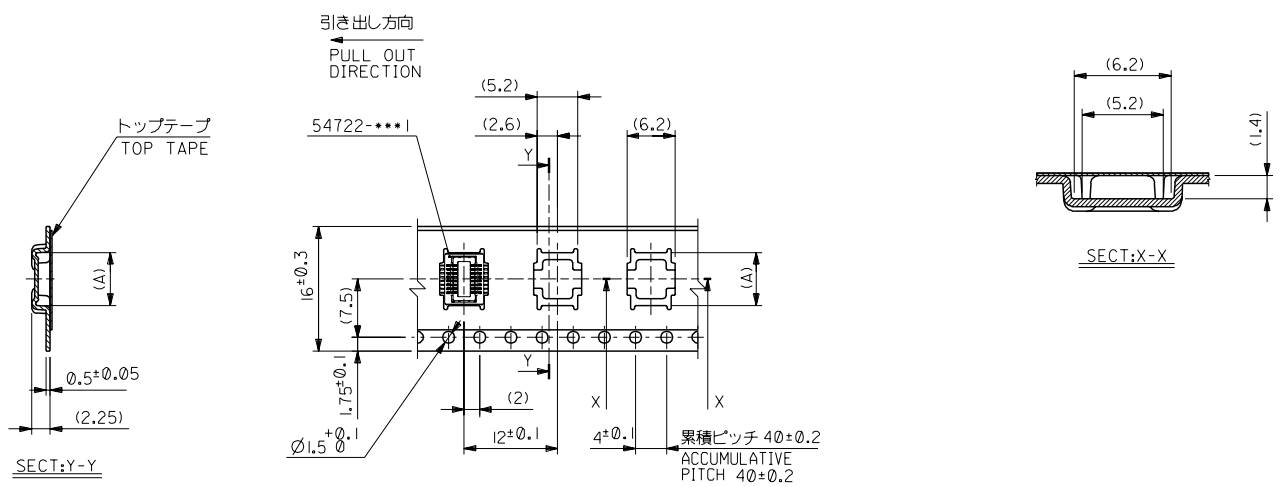


DO NOT SCALE DRAWING

E04NO. DRWN: CHK: APPR:	E03NO. DRWN: CHK: APPR:	E02NO. DRWN: CHK: APPR:	REVISED 01/09/19	PROPOSED	E01NO. JC2001-0402	MATERIAL 材料 注記参照 SEE NOTES	GENERAL TOLERANCES: (UNLESS SPECIFIED) 一般公差	SCALE //	MODEL NO. 54722-***8	DESIGN UNITS mm INCH	DIMENSIONS: PROJ ANGLE mm INCH mm ONLY	SHT	REV
			E01NO. J2002-0650 DRWNR: TAKEUCHI CHK: T.ITO APPR: T.YAMAGUCHI										
8	7	6	A	0	REV	WIRE RANGE 適用電線範囲 //	10 OVER 以上 30 UNDER 未満 +0.25	30 OVER 以上 +0.3	APPROVED BY & DATE T.YAMAGUCHI '01/09/19	MATERIAL NO. MOLEX INCORPORATED	DRAWING NO. SD-54722-010	SHEET NO. 1 OF 3	SIZE B
			INS. RANGE 設置外径 //	ANGLE 角度 +3°	CAD FILENAME 54722010.S01	SEE CHART	EN-02J(097) MXJ-54						

A 10.000.010.501

DWG. NO. SD-54722-010

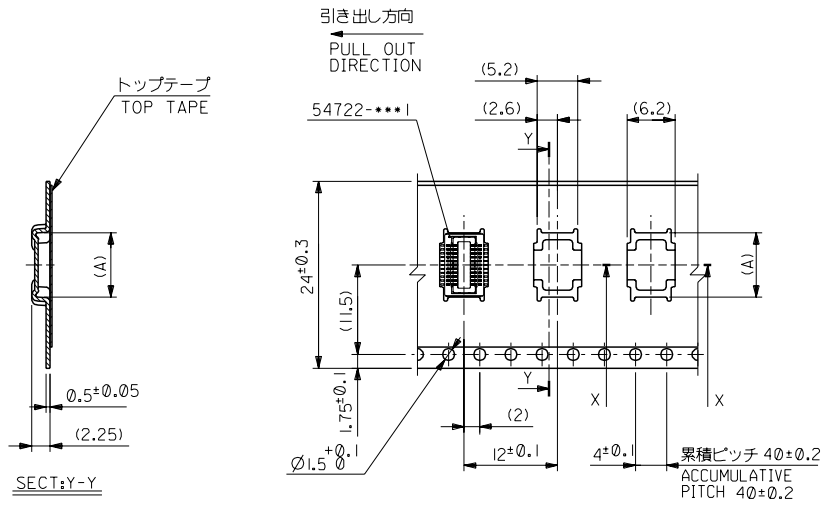


16mm幅キャリアテープ  
16mm WIDTH CARRIER TAPE

16	17.5	6.8	54722-0168	16
キャリアテープ幅 CARRIER TAPE WIDTH	B	(A)	MATERIAL NO.	極致 CIRCUIT

DO NOT SCALE DRAWING	E04 NO. DRWN: CHFK: APPR:	E03 NO. DRWN: CHFK: APPR:	E02 NO. DRWN: CHFK: APPR:	REVISED 01/09/19 E01 NO. J2002-0650 DRWNR: TAKEUCHI CHK: T.ITO APPR: I.YAMAGUCHI	PROPOSED E00 NO. JC2001-0402 DRWN: SAIHARA 01/11/28 CHK: T.ITO APPR: M.FUKUSHIMA	MATERIAL 材料 SHEET 1 OF 3 参照 REFER TO SHEET 1 OF 3	GENERAL TOLERANCES: (UNLESS SPECIFIED) 一般公差	SCALE 1:1	DESIGN UNITS 0mm 0INCH	MODEL NO. 54722-***8	DIMENSIONS: 0mm 0INCH 0mm ONLY	SHT 2	REV 3
				FINISH 仕上り //	10 UNDER 未満 +0.2 10 OVER 以上 30 UNDER 未満 +0.25 30 OVER 以上 +0.3	DRAWN BY & DATE S.AIHARA 00/11/28 CHECKED BY & DATE T.ITO 01/09/19 APPROVED BY & DATE T.YAMAGUCHI 01/09/19	TITLE: 0.5 B-To-B Conn Rec Assy (Hgt=1.5) Embstp Pkg	MOLEX INCORPORATED	CAD FILENAME 54722010.S02	MATERIAL NO. SEE CHART	DRAWING NO. SD-54722-010	SHEET NO. 2 OF 3	SIZE B
8	7	6	5	4	3	2	1	EN-02J(097) MXJ-54		A 2020.01.03.02 54722010.S02			

DWG. NO. SD-54722-010



24mm幅キャリアテープ  
24mm WIDTH CARRIER TAPE

24	25.5	10.3	54722-0308	30
		8.3	54722-0228	22
キャリアテープ幅 CARRIER TAPE WIDTH	B	(A)	MATERIAL NO.	極致 CIRCUIT

DO NOT SCALE DRAWING		REVISED 01/09/19 DESIGN NO. J2002-0650 DRAWNR. TAKEUCHI CHKR. T.ITO APPR. T.YAMAGUCHI		PROPOSED DESIGN NO. JC2001-0402 DRAWN S.AIHARA 08/11/28 CHKR. T.ITO APPR. M.FUKUSHIMA		MATERIAL 材料 SHEET 1 OF 3 参照 REFER TO SHEET 1 OF 3		GENERAL TOLERANCES: (UNLESS SPECIFIED) 一般公差		SCALE 1:1		DESIGN UNITS 公制		MODEL NO. 54722-***8		DIMENSIONS: mm INCH mm ONLY		SHT 22 REV 01	
E004NO. DRWN: CHK: APPR:		E003NO. DRWN: CHK: APPR:		E002NO. DRWN: CHK: APPR:		FINISH 仕上り		10 UNDER 未満 +0.2		DRAWN BY & DATE S.AIHARA 08/11/28		TITILE: 0.5 B-To-B Conn Rec Assy (Hg+=1.5) Embstp Pkg		MATERIAL NO. SEE CHART		DRAWING NO. SD-54722-010		SHEET NO. 3 OF 3	
E001NO. DRWN: CHK: APPR:		E000NO. DRWN: CHK: APPR:		REV		WIRE RANGE 適用電線範囲 //		10 OVER 以上 30 UNDER 未満 +0.25		CHECKED BY & DATE T.ITO 01/09/19		MOLEX INCORPORATED		MATERIAL NO. SEE CHART		DRAWING NO. SD-54722-010		SIZE B	
						INS. RANGE 被覆外径 //		30 OVER 以上 +0.3		APPROVED BY & DATE T.YAMAGUCHI 01/09/19		MOLEX INCORPORATED		MATERIAL NO. SEE CHART		DRAWING NO. SD-54722-010		SIZE B	
								ANGLE 角度 +3°		CAD FILENAME 54722010.S03		MOLEX INCORPORATED		MATERIAL NO. SEE CHART		DRAWING NO. SD-54722-010		SIZE B	

EN-02J(097) MXJ-54