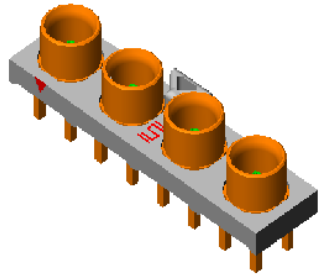
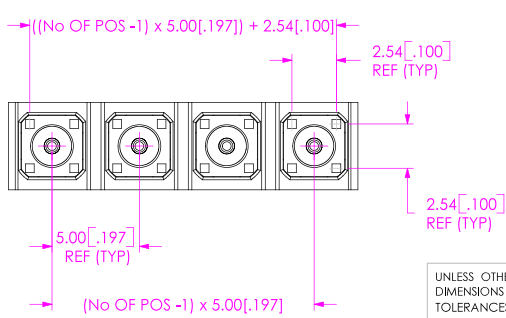
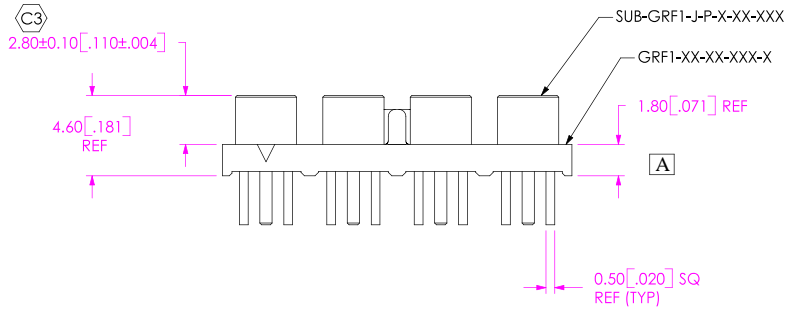
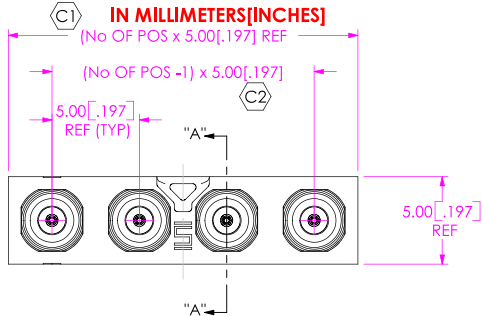


REVISION A

DO NOT SCALE FROM THIS PRINT

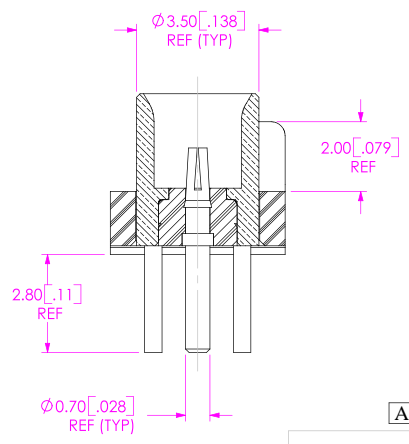
**DESIGNED & DIMENSIONED**

**IN MILLIMETERS [INCHES]**



**GRF1-J-P-XX-X-XX-XXX-X**

- GENDER**
- J: JACK
- PCB**
- P: PCB MOUNT
- No OF POSITIONS**
- 02, -04, -06, -08
- PLATING**
- E: 50U" GOLD ON CENTER CONDUCTOR CONTACT AREA AND SOLDER TAIL.  
3u" GOLD ON SHELL AND SHELL SOLDER TAILS
- INSERT OPTIONS**
- E: #1-64 THRU HOLE THREADED INSERT (SEE FIG. 2, SHT 2)
- TERMINATION**
- TH1: THRU HOLE
- ORIENTATION**
- ST: STRAIGHT



SECTION "A"- "A"  
SCALE 6 : 1



PACKAGING VIEW  
USE: PT 1-24-04-36-TP-24

FIG. 1  
GRF1-J-P-04-E-ST-TH1 SHOWN

- NOTES:
- ① REPRESENTS A CRITICAL DIMENSION.
  - MINIMUM PUSHOUT FORCE: 2.22N (.5 LB).

F:\DWG\MISC\MKTG\GRF1-J-P-XX-X-XX-XXX-X-MKT.SLDDRW

UNLESS OTHERWISE SPECIFIED, DIMENSIONS ARE IN MILLIMETERS. TOLERANCES ARE:  
 DECIMALS ANGLES  
 XX: ±0.3 2°  
 XXX: ±0.13  
 XXXX: ±0.050

DO NOT SCALE DRAWING SHEET SCALE: 3:1

**MATERIAL:**  
 INSULATOR: L.C.P. COLOR: BLACK  
 SHELL: BRASS  
 PIN: B5CJ  
 INSULATOR: TEFLON



**PROPRIETARY NOTE**  
 THE DOCUMENT CONTAINS INFORMATION CONFIDENTIAL AND PROPRIETARY TO SAMTEC, INC. AND SHALL NOT BE REPRODUCED OR TRANSFERRED TO OTHER DOCUMENTS OR DISCLOSED TO OTHERS OR USED FOR ANY PURPOSE OTHER THAN THAT WHICH IT WAS OBTAINED WITHOUT THE EXPRESSED WRITTEN CONSENT OF SAMTEC, INC.

**SAMTEC**  
 520 PARK EAST BLVD. NEW ALBANY, IN 47150  
 PHONE: 812.944.6733 FAX: 812.948.5047  
 e-Mail: [INFO@SAMTEC.COM](mailto:INFO@SAMTEC.COM) CODE: 55322

DESCRIPTION: GANGED RF JACK CONNECTOR  
 DWG. NO. GRF1-J-P-XX-X-XX-XXX-X  
 BY: CHAD F 9/3/2004 SHEET 1 OF 2

REVISION A

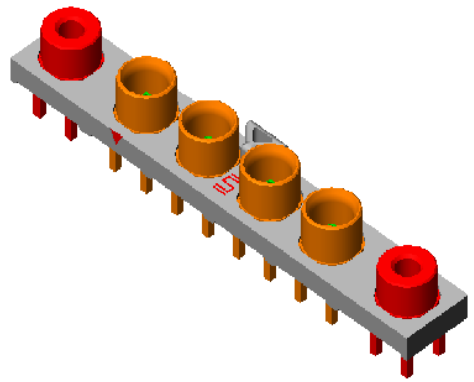
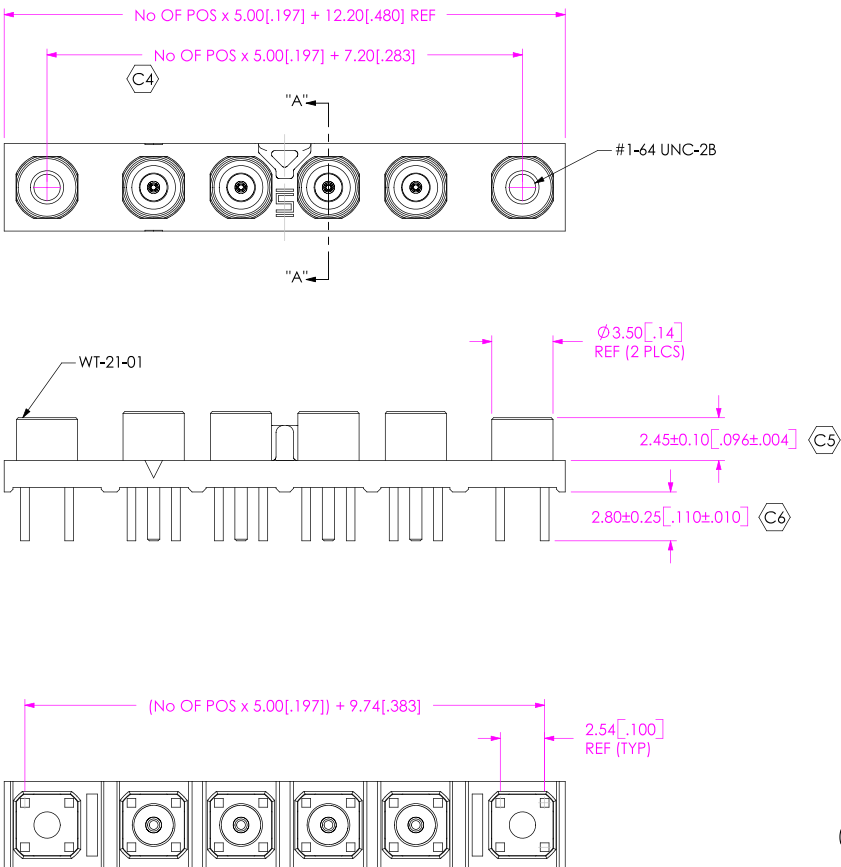


FIG. 2  
GRF1-J-P-04-E-ST-TH1-E SHOWN  
(SAME AS FIG.1, UNLESS OTHERWISE STATED)

**PROPRIETARY NOTE**  
THE DOCUMENT CONTAINS INFORMATION CONFIDENTIAL AND PROPRIETARY TO SAMTEC, INC. AND SHALL NOT BE REPRODUCED OR TRANSFERRED TO OTHER DOCUMENTS OR DISCLOSED TO OTHERS OR USED FOR ANY PURPOSE OTHER THAN THAT WHICH IT WAS OBTAINED WITHOUT THE EXPRESSED WRITTEN CONSENT OF SAMTEC, INC.

DO NOT SCALE DRAWING

SHEET SCALE: 3:1

<b>SAMTEC</b>	
520 PARK EAST BLVD. NEW ALBANY, IN 47150 PHONE: 812.944.6733 FAX: 812.948.5047 e-Mail: <a href="mailto:INFO@SAMTEC.COM">INFO@SAMTEC.COM</a> CODE: 55322	
DESCRIPTION:	GANGED RF JACK CONNECTOR
DWG. NO.	GRF1-J-P-XX-X-XX-XXX-X
BY: CHAD F	9/3/2004 SHEET 2 OF 2

F:\DWG\MISC\MKTG\GRF1-J-P-XX-X-XX-XXX-X-MKT.SLDDRW