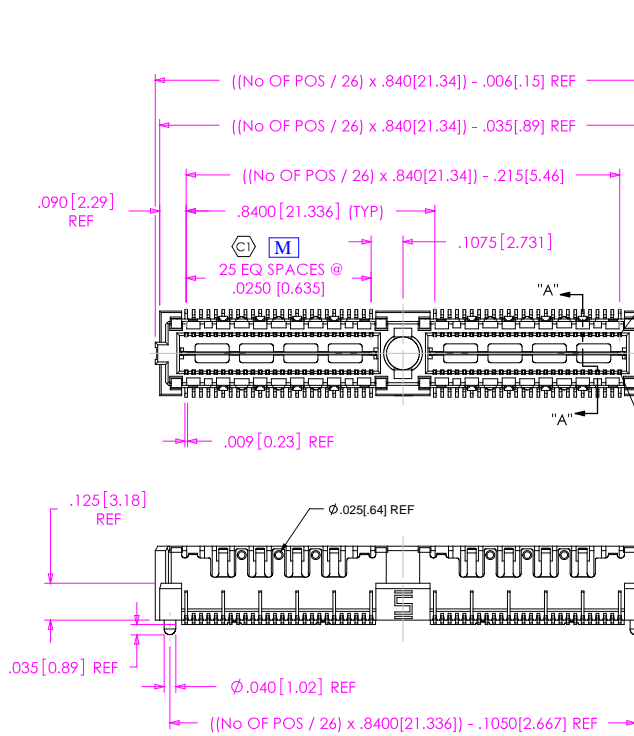


REVISION M

DO NOT SCALE FROM THIS PRINT

QMS5-XXX-XX-X-D-X-XXX-XX



No OF POSITIONS
 -026, -052, -078, -104, *-130 (PER ROW)

LEAD STYLE
 -11 (SEE FIG. 1)

PLATING SPECIFICATION
 -L: LIGHT GOLD (USE T-1M19-06.75-L)
 -H: HEAVY GOLD (USE T-1M19-06.75-H)
 [ALL PLATING STYLES USE SH1-XX-L & T-1G19-06.75-L]

ROW SPECIFICATION
 -D: DOUBLE

PACKAGING OPTION
 -TR: TAPE & REEL PACKAGING (-026 THRU -078 WITHOUT OPTIONS -GP OR -PCX, -026 THRU -052 WITH OPTIONS -GP OR -PCX)

OPTION
 -GP: GUIDE POSTS (SEE FIG. 3, SHEET 2) [NOT AVAILABLE WITH -PCX]
 -K: KAPTON PAD (SEE FIG. 2, SHEET 2)
 -PC4: POWER COMBO 4 (SEE FIG. 5, SHEET 4) (USE T-1M27-01-S)
 -PC8: POWER COMBO 8 (SEE FIG. 5, SHEET 4) (USE T-1M27-01-S)
 [-PCX NOT AVAILABLE WITH -GP] [-PCX AVAILABLE ON POSITIONS -026, -052 & -078 ONLY AND ON LEAD STYLE -011 ONLY]

OPTION
 ***-A: ALIGNMENT PIN

* = NOT TOOLED
 *** = NOT AVAILABLE WITH PCX OPTION

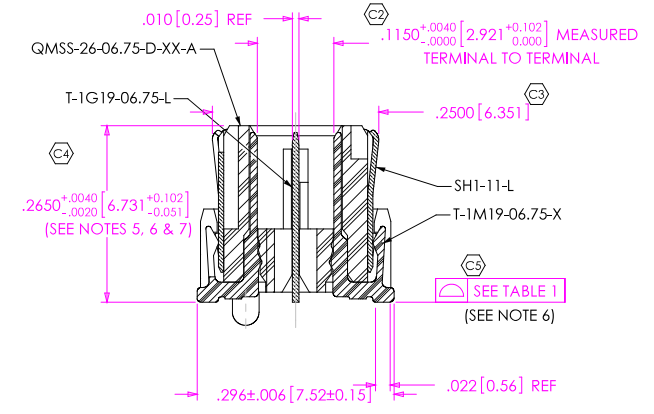
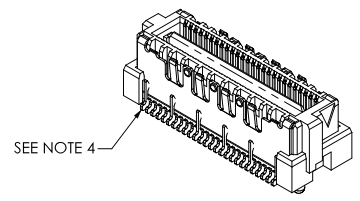


FIG. 1
 -11 LEAD STYLE
 (QMS5-052-11-X-D-A SHOWN)
 (MATED HEIGHT WITH QSS-01: .433 [1.00] REF)

TABLE 1		
No OF POSITIONS	No OF BANKS	COPLANARITY
-026	01	.004[.10]
-052 THRU -130	2 THRU 5	.006[.15]

- NOTES:
1. Ⓢ REPRESENTS A CRITICAL DIMENSION.
 2. BURR ALLOWANCE: .0015 MAX.
 3. MINIMUM PUSHOUT FORCE: SIGNAL: .75 LB. SHIELD/GROUND: 1 LB.
 4. TERMINALS IN THE FIRST ROW OF EACH BANK AND EVERY FIFTH ROW AFTER THAT WILL NOT BE SHEARED.
 5. MAX VARIANCE OF .002.
 6. DIMENSION APPLIES TO CONTACTS & GROUND PLANE.
 7. GROUND PLANE PRESS HEIGHT MUST BE .003[.08] LESS THAN THE MAX HEIGHT OR .001[.03] GREATER THAN THE MINIMUM HEIGHT OF THE TERMINALS.
 8. PARTS TO BE PACKAGED IN TRAYS AS STANDARD.



UNLESS OTHERWISE SPECIFIED, DIMENSIONS ARE IN INCHES. TOLERANCES ARE:

DECIMALS	ANGLES
.XX: ±.01 [3]	2 *
.XXX: ±.005 [13]	
.XXXX: ±.0020 [051]	

MATERIAL: DO NOT SCALE DRAWING SHEET SCALE: 2:1
 INSULATOR: INSULATOR: LCP, COLOR: BLACK
 TERMINAL, GROUND PLANE, & SHIELD: PHOS BRONZE

PROPRIETARY NOTE
 THIS DOCUMENT CONTAINS INFORMATION CONFIDENTIAL AND PROPRIETARY TO SAMTEC, INC. AND SHALL NOT BE REPRODUCED OR TRANSFERRED TO OTHER DOCUMENTS OR ENCLOSED TO OTHERS OR USED FOR ANY PURPOSE OTHER THAN THAT WHICH IT WAS OBTAINED WITHOUT THE EXPRESSED WRITTEN CONSENT OF SAMTEC, INC.

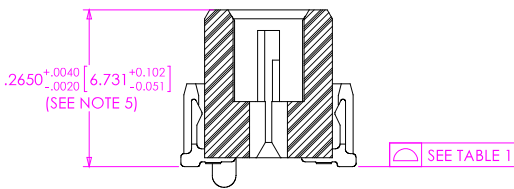


DESCRIPTION:
 .635mm DOUBLE ROW SHIELDED TERMINAL STRIP
 DWG. NO.
 QMS5-XXX-XX-X-D-X-XXX-XX
 BY: CHAD F 05/23/2002 SHEET 1 OF 3

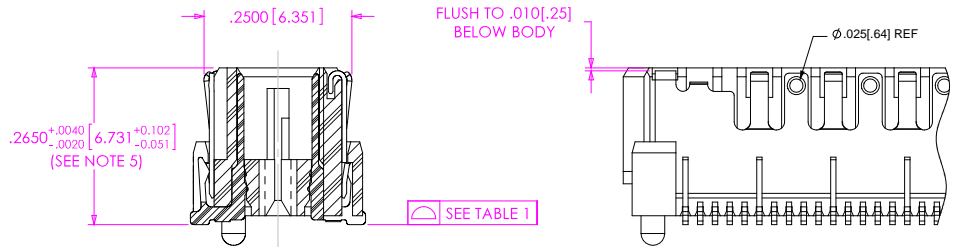
F:\DWG\MISC\MKTG\QMS5\XXXXXX\X-D-X-XXX-XX-MKT.SLDDRW

REVISION M

IN-PROCESS 1



IN-PROCESS 2



TERMINAL DETAILS

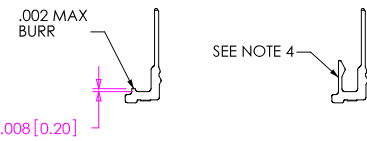


FIG. 3
-GP: GUIDE POST OPTION
(QMSS-052-11-X-D-A-GP SHOWN)

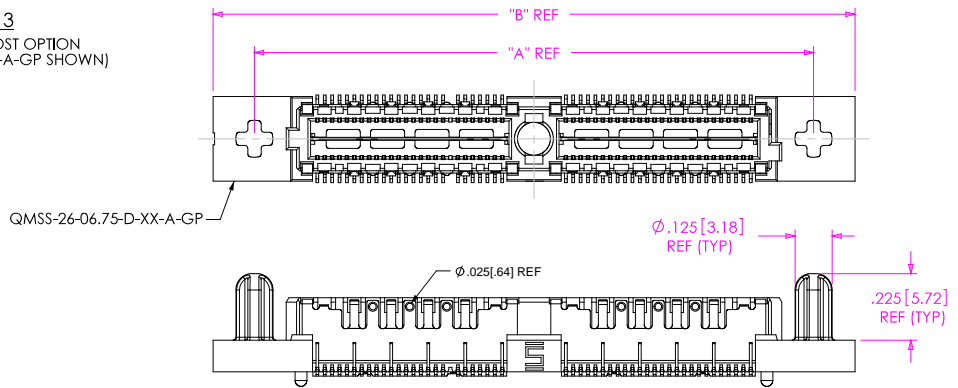
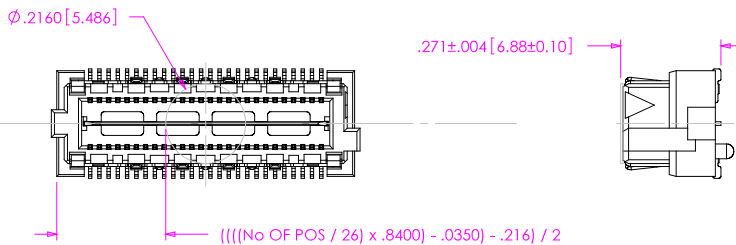


FIG. 2
-K: KAPTON PAD OPTION (USE K-500-300)
(QMSS-052-11-X-D-A-K SHOWN)



F:\DWG\MISC\MKTG\QMSS-XXX-XX-X-D-X-XXX-XX-MKT.SLDDRW

ASSEMBLY	"A"	"B"
QMSS-026-11-X-D-GP	1.050[26.67]	1.330[33.78]
QMSS-052-11-X-D-GP	1.890[48.00]	2.170[55.12]
QMSS-078-11-X-D-GP	2.730[69.34]	3.010[76.45]
QMSS-104-11-X-D-GP	3.570[90.68]	3.850[97.79]
QMSS-130-11-X-D-GP	4.410[112.01]	4.690[119.13]

PROPRIETARY NOTE
THE DOCUMENT CONTAINS INFORMATION
CONFIDENTIAL AND PROPRIETARY TO
SAMTEC, INC. AND SHALL NOT BE REPRODUCED
OR TRANSFERRED TO OTHER DOCUMENTS OR
DISCLOSED TO OTHERS OR USED FOR ANY
PURPOSE OTHER THAN THAT WHICH IT WAS
OBTAINED WITHOUT THE EXPRESSED WRITTEN
CONSENT OF SAMTEC, INC.

DO NOT SCALE DRAWING

SHEET SCALE: 2:5:1

samtec

520 PARK EAST BLVD, NEW ALBANY, IN 47150
PHONE: 812-944-5733 FAX: 812-948-5047
e-Mail: info@SAMTEC.com code: 55322

DESCRIPTION:
.635mm DOUBLE ROW SHIELDED TERMINAL STRIP

DWG. NO.
QMSS-XXX-XX-X-D-X-XXX-XX

BY: CHAD F 05/23/2002 SHEET 2 OF 3

REVISION M

FIG. 5 -PCX OPTION
 POWER COMBO OPTIONS
 QMSS-052-11-X-D-PC4 SHOWN
 (SAME AS FIG. 1, UNLESS OTHERWISE STATED)
 [NOT AVAILABLE WITH -GP OPTION, AVAILABLE ON LEAD STYLE -11 ONLY]
 [AVAILABLE ON -026, -052 & -078 POSITIONS ONLY]

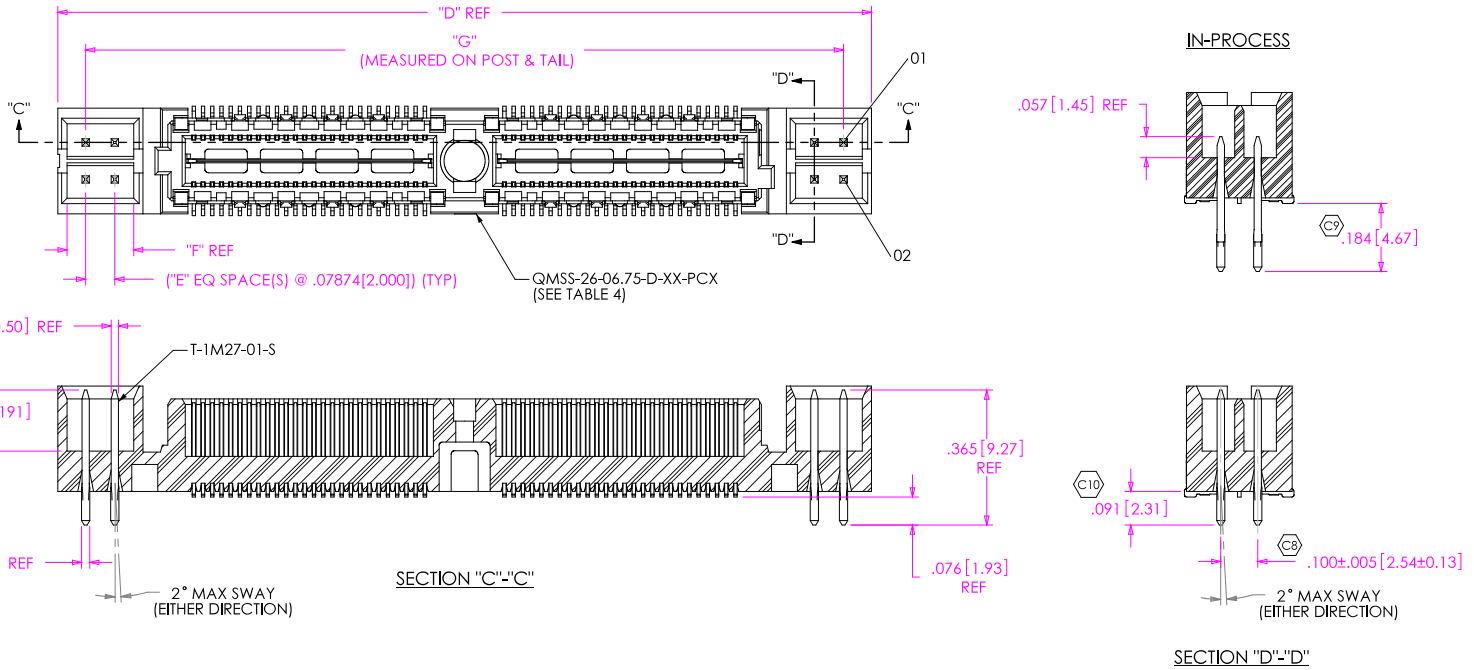


TABLE 4

ASSEMBLY	QMSS-26-06.75-D-XX-PCX	"D"	"E"	"F"	"G"
QMSS-026-11-X-D-X-PC4	QMSS-26-06.75-D-01-X-PC4	1.360[34.54]	1	.180[4.57]	1.209[30.71]
QMSS-026-11-X-D-X-PC8	QMSS-26-06.75-D-01-X-PC8	1.675[42.55]	3	.337[8.56]	1.524[38.71]
QMSS-052-11-X-D-X-PC4	QMSS-26-06.75-D-02-X-PC4	2.200[55.88]	1	.180[4.57]	2.049[52.04]
QMSS-052-11-X-D-X-PC8	QMSS-26-06.75-D-02-X-PC8	2.515[63.88]	3	.337[8.56]	2.364[60.05]
QMSS-078-11-X-D-X-PC4	QMSS-26-06.75-D-03-X-PC4	3.040[77.22]	1	.180[4.57]	2.889[73.38]
QMSS-078-11-X-D-X-PC8	QMSS-26-06.75-D-03-X-PC8	3.355[85.22]	3	.337[8.56]	3.204[81.38]

PROPRIETARY NOTE
 THE DOCUMENT CONTAINS INFORMATION
 CONFIDENTIAL AND PROPRIETARY TO
 SAMTEC, INC. AND SHALL NOT BE REPRODUCED
 OR TRANSFERRED TO OTHER DOCUMENTS OR
 DISCLOSED TO OTHERS OR USED FOR ANY
 PURPOSE OTHER THAN THAT WHICH IT WAS
 OBTAINED WITHOUT THE EXPRESSED WRITTEN
 CONSENT OF SAMTEC, INC.

DO NOT SCALE DRAWING

SHEET SCALE: 2.5:1

samtec

520 PARK EAST BLVD, NEW ALBANY, IN 47150
 PHONE: 812-944-5733 FAX: 812-948-5047
 e-Mail: info@SAMTEC.com code: 55322

DESCRIPTION:
 .635mm DOUBLE ROW SHIELDED TERMINAL STRIP

DWG. NO.
 QMSS-XXX-XX-X-D-X-XXX-XX

BY: CHAD F 05/23/2002 SHEET 3 OF 3

F:\DWG\MISC\MKTG\QMSS-XXX-XX-X-D-X-XXX-XX-MKT.SLDDRW