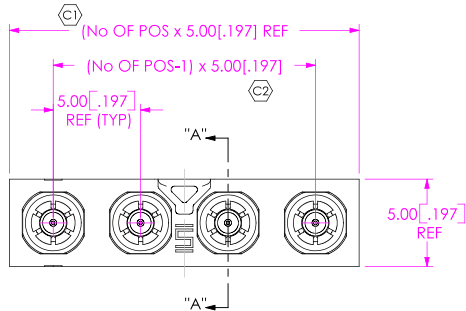


REVISION A

DO NOT SCALE FROM THIS PRINT

**DESIGNED & DIMENSIONED
IN MILLIMETERS [INCHES]**



GRF1-P-P-XX-X-XX-XXX

GENDER
 -P: PLUG

PCB
 -P: PCB MOUNT

No OF POSITIONS
 -02, -04, -06, -08

TERMINATION
 -TH1: THRU HOLE

ORIENTATION
 -ST: STRAIGHT

PLATING
 -E: 50U" GOLD ON CENTER CONDUCTOR
 CONTACT AREA AND SOLDER TAIL.
 3U" GOLD ON SHELL AND SHELL SOLDER TAILS

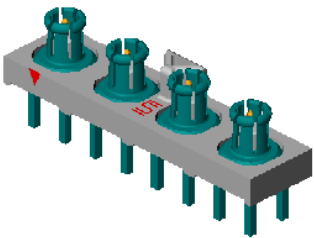
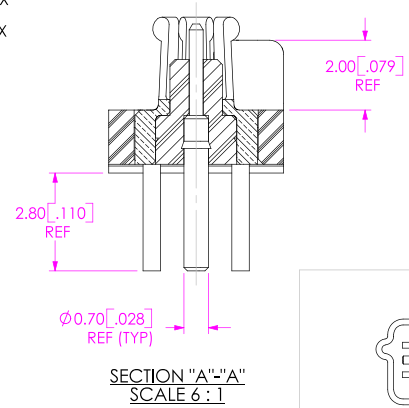
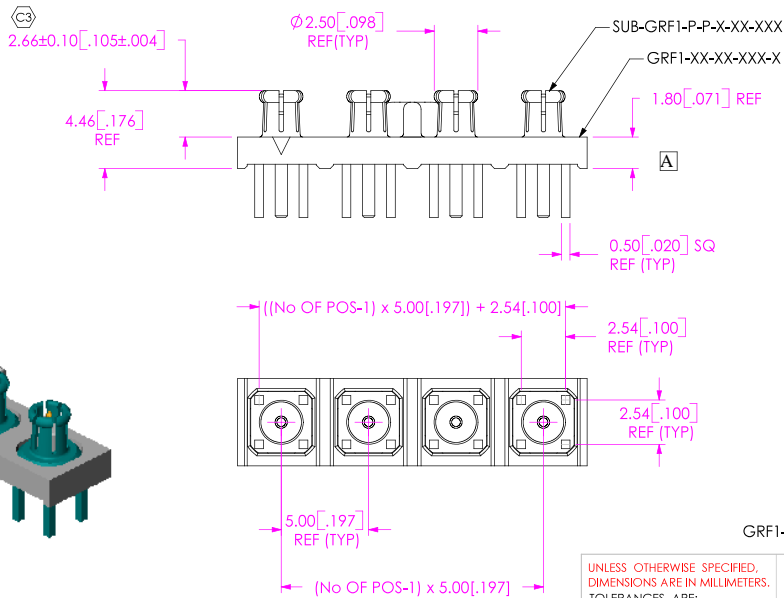


FIG. 1
 GRF1-P-P-04-E-ST-TH1

NOTES:

1. © REPRESENTS A CRITICAL DIMENSION.
2. MINIMUM PUSHOUT FORCE: 2.22N [5 LB].

F:\DWG\MISC\MKTG\GRF1-P-P-XX-X-XX-XXX-MKT.SLDDRW

UNLESS OTHERWISE SPECIFIED, DIMENSIONS ARE IN MILLIMETERS. TOLERANCES ARE:
 DECIMALS ANGLES
 .X: ±0.3 [01] 2°
 .XX: ±0.13 [005]
 .XXX: ±0.051 [0020]

MATERIAL: DO NOT SCALE DRAWING
 INSULATOR: LCP, COLOR: BLACK
 SHELL: BRASS
 PIN: BRASS
 INSULATOR: TEFLON
 C-RING: BeCu

PROPRIETARY NOTE

THIS DOCUMENT CONTAINS INFORMATION CONFIDENTIAL AND PROPRIETARY TO SAMTEC, INC. AND SHALL NOT BE REPRODUCED OR TRANSFERRED TO OTHER DOCUMENTS OR DISCLOSED TO OTHERS OR USED FOR ANY PURPOSE OTHER THAN THAT WHICH IT WAS OBTAINED WITHOUT THE EXPRESSED WRITTEN CONSENT OF SAMTEC, INC.

SHEET SCALE: 3:1



SAMTEC

520 PARK EAST BLVD, NEW ALBANY, IN 47150
 PHONE: 812.944.6733 FAX: 812.948.5047
 e-Mail: INFO@SAMTEC.COM CODE: 55322

DESCRIPTION: GANGED RF PLUG CONNECTOR

DWG. NO. **GRF1-P-P-XX-X-XX-XXX**

BY: CHAD F 9/8/2004 SHEET 1 OF 1