

REVISION V

DO NOT SCALE FROM THIS PRINT

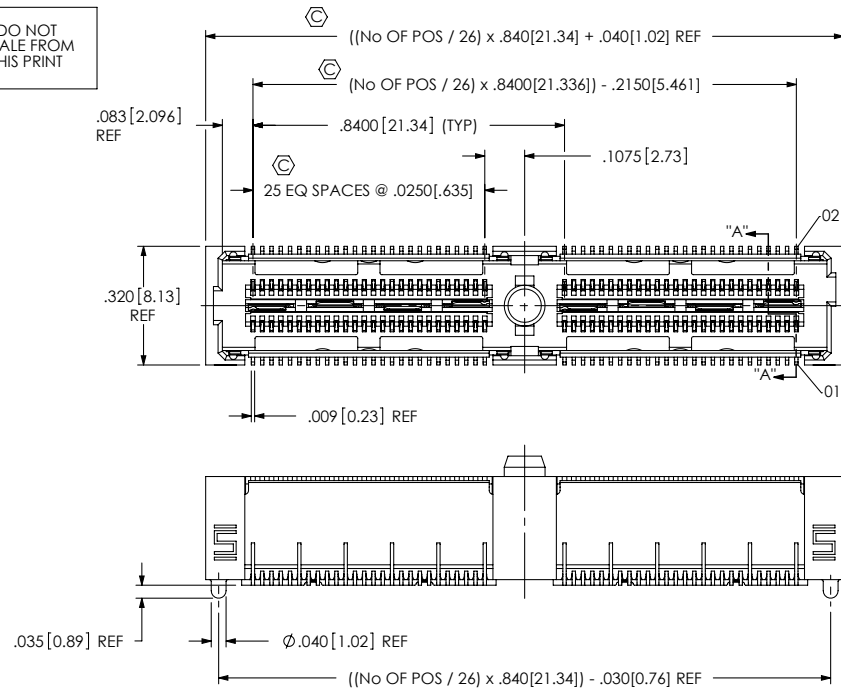
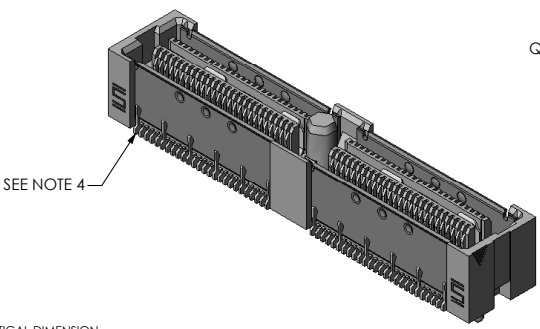


FIG. 1  
QFSS-052-04.25-X-D-A SHOWN



SEE NOTE 4

QFSS-XXX-XX.XX-X-D-X-XXX-XX

No. OF POSITIONS  
-026, -052, -078, -104, \* -130 (PER ROW)

LEAD STYLE  
-04.25

PLATING SPECIFICATION  
-L: LIGHT GOLD (USE C-181-04.25-L)  
-H: HEAVY GOLD (USE C-181-04.25-H)  
(ALL PLATING STYLES USE SH2-01-L & T-1G20-04.25-L)

ROW SPECIFICATION  
-D: DOUBLE

\* = NOT TOOLED

PACKAGING OPTION  
-TR: TAPE & REEL PACKAGING (-026 THRU -078 WITHOUT OPTIONS -GP OR -PXX, -026 THRU -052 WITH OPTIONS-GP OR -PXX)

OPTION  
-BM: BLIND MATE SHIELD (USE ASP-126355-02-P-L)  
-GP: GUIDE HOLES (SEE FIG. 2, SHEET 2)  
[NOT AVAILABLE WITH -PXX]  
-PC4: 4 POWER POS PER END (.062" THICK BOARD) (SEE FIG. 3, SHEET 3) (USE C-79-06-S)  
-PC8: 8 POWER POS PER END (.062" THICK BOARD) (SEE FIG. 3, SHEET 3) (USE C-79-06-S)  
-PT4: 4 POWER POS PER END (.093" THICK BOARD) (SEE FIG. 3, SHEET 3) (USE C-79-09-S)  
-PT8: 8 POWER POS PER END (.093" THICK BOARD) (SEE FIG. 3, SHEET 3) (USE C-79-09-S)  
-P: PICK & PLACE PAD (USE PPP-51, SEE FIG. 4, SHEET 4)  
[PXX NOT AVAILABLE WITH -GP]  
[PXX AVAILABLE ON POSITIONS -026, -052 & -078 ONLY]

OPTION  
-A: ALIGNMENT PIN [NOT AVAILABLE WITH -PXX]

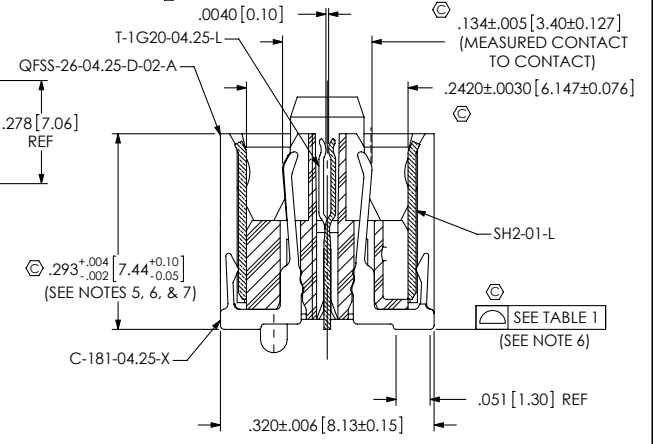


TABLE 1		
No OF POSITIONS	No OF BANKS	COPLANARITY
-026 THRU -078	1 THRU 3	.004[.10]
-104 AND -130	4 AND 5	.006[.15]

SECTION "A"-A"  
SCALE 4.5:1

- NOTES:
- ① REPRESENTS A CRITICAL DIMENSION.
  - BURR ALLOWANCE: .0015[0.038] MAX.
  - MINIMUM PUSHOUT FORCE: SIGNAL: .5 LB, SHIELD/GROUND: 1 LB, POWER PIN: .5 LB.
  - TERMINALS IN THE FIRST ROW OF EACH BANK AND EVERY FIFTH ROW AFTER THAT WILL NOT BE SHEARED.
  - MAX VARIANCE OF: .002[0.05]
  - DIMENSION APPLIES TO CONTACTS & GROUND PLANE.
  - GROUND PLANE PRESS HEIGHT MUST BE .003 [.08] LESS THAN THE MAX HEIGHT OR .001 [.03] GREATER THAN THE MINIMUM HEIGHT OF THE TERMINAL.
  - DISREGARD ANY BREAK-OFF BURRS FOR THIS DIMENSION.
  - PARTS TO BE PACKAGED IN TRAYS AS STANDARD

PATENT NUMBERS  
6739884/ 7165994  
7121849

UNLESS OTHERWISE SPECIFIED, DIMENSIONS ARE IN INCHES. TOLERANCES ARE:  
DECIMALS: .XX: ±.01 [3] ANGLES: 2°  
.XXX: ±.005 [.13]  
.XXXX: ±.0020 [.051]

PROPRIETARY NOTE  
THIS DOCUMENT CONTAINS INFORMATION CONFIDENTIAL AND PROPRIETARY TO SAMTEC, INC. AND SHALL NOT BE REPRODUCED OR TRANSMITTED TO OTHER DOCUMENTS OR DISCLOSED TO OTHERS OR USED FOR ANY PURPOSE OTHER THAN THAT WHICH IT WAS OBTAINED WITHOUT THE EXPRESSED WRITTEN CONSENT OF SAMTEC, INC.

MATERIAL: DO NOT SCALE DRAWING  
INSULATOR: VECTRA E130, COLOR: BLACK  
TERMINAL, GROUND PLANE, & SHIELD: PHOS BRONZE:

SHEET SCALE: 2.5:1



DESCRIPTION:  
.635mm DOUBLE ROW SHIELDED TERMINAL STRIP

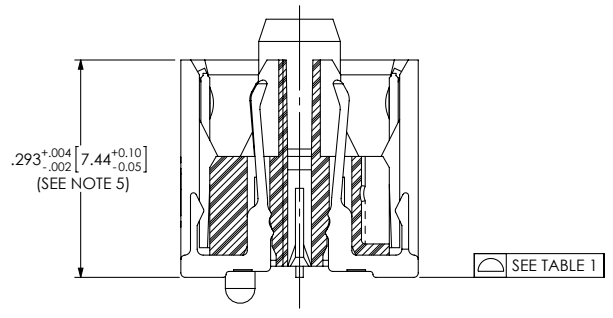
DWG. NO.  
QFSS-XXX-XX.XX-X-D-X-XXX-XX

BY: CHAD F 05/28/2002 SHEET 1 OF 4

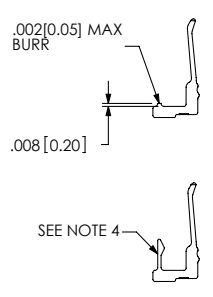
F:\DWG\MISC\MKTG\QFSS-XXX-XX.XX-X-D-X-XXX-XX-MKT SLDDRW

REVISION V

IN-PROCESS 1



CONTACT DETAILS



**TABLE 2**

ASSEMBLY	"A"	"B"
QFSS-026-04.25-X-D-A-GP	1.050[26.67]	1.330[33.78]
QFSS-052-04.25-X-D-A-GP	1.890[48.00]	2.170[55.12]
QFSS-078-04.25-X-D-A-GP	2.730[69.34]	3.010[76.45]
QFSS-104-04.25-X-D-A-GP	3.570[90.68]	3.850[97.79]
* QFSS-130-04.25-X-D-A-GP	4.410[112.01]	4.690[119.13]

\* NOT TOOLED

IN-PROCESS 2

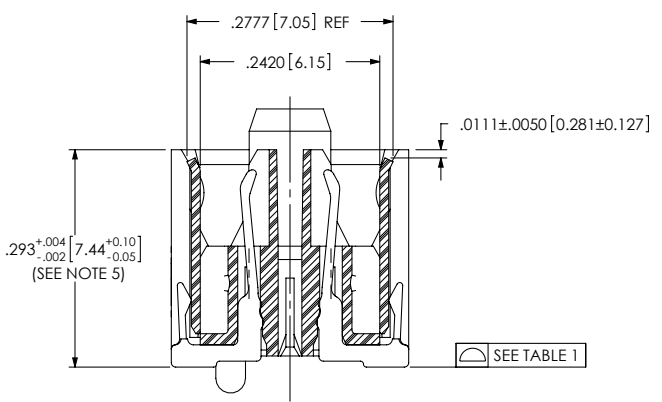
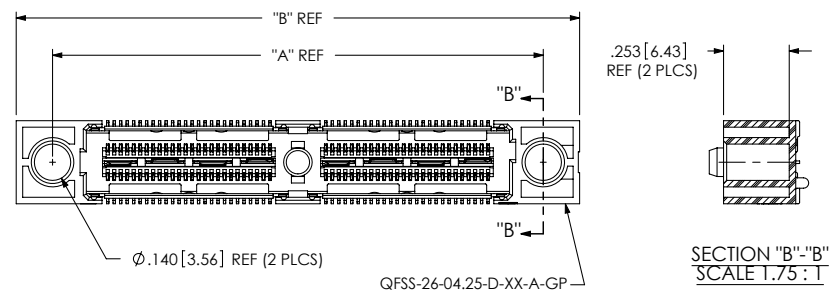


FIG. 2  
-GP: GUIDE HOLE OPTION  
(QFSS-052-04.25-X-D-A-GP SHOWN)  
[NOT AVAILABLE WITH -PXX OPTIONS]



**PROPRIETARY NOTE**  
THIS DOCUMENT CONTAINS INFORMATION CONFIDENTIAL AND PROPRIETARY TO SAMTEC, INC. AND SHALL NOT BE REPRODUCED OR TRANSFERRED TO OTHER DOCUMENTS OR DISCLOSED TO OTHERS OR USED FOR ANY PURPOSE OTHER THAN THAT WHICH IT WAS OBTAINED WITHOUT THE EXPRESSED WRITTEN CONSENT OF SAMTEC, INC.

DO NOT SCALE DRAWING

SHEET SCALE: 2.5:1

**samtec**

520 PARK EAST BLVD, NEW ALBANY, IN 47150  
PHONE: 812-944-6733 FAX: 812-948-5047  
e-Mail: info@SAMTEC.com code: 55322

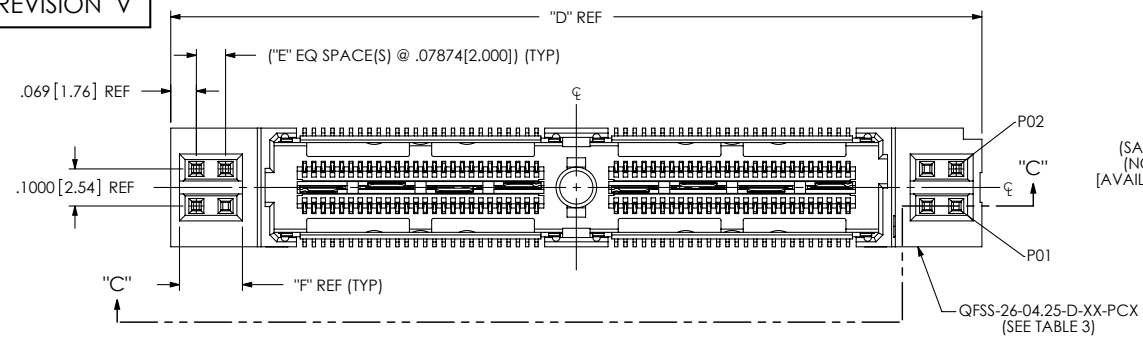
DESCRIPTION:  
.635mm DOUBLE ROW SHIELDED TERMINAL STRIP

DWG. NO.  
QFSS-XXX-XX.XX-X-D-X-XXX-XX

BY: CHAD F 05/28/2002 SHEET 2 OF 4

F:\DWG\MISC\MKTG\QFSS-XXX-XX.XX-X-D-X-XXX-XX-MKT.SLDDRW

REVISION V



**FIG. 3**  
**POWER COMBO OPTIONS**  
 (QFSS-052-04.25-X-D-PC4 SHOWN)  
 (SAME AS FIG. 1, UNLESS OTHERWISE STATED)  
 (NOT AVAILABLE WITH -A OR -GP OPTIONS)  
 [AVAILABLE ON -.026, -.052 & -.078 POSITIONS ONLY]

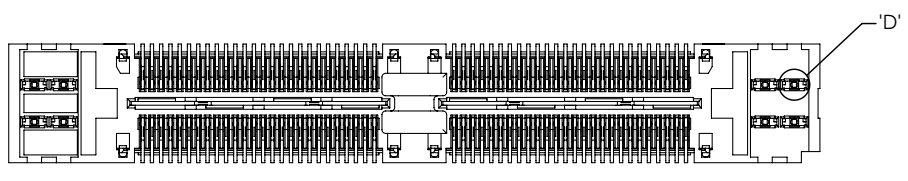
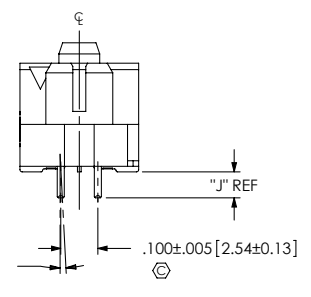
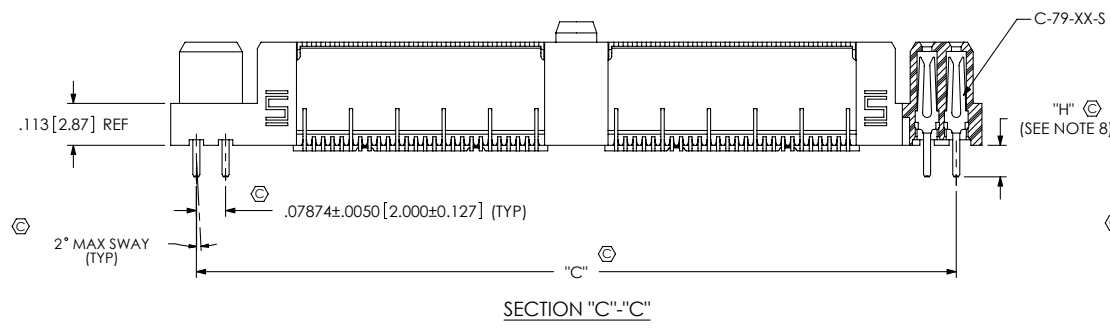


TABLE 5			
POWER OPTION	CONTACT	"H"	"J"
PC4/PC8	C-79-06-S	.085[2.16]	.070[1.78]
PT4/PT8	C-79-09-S	.125[3.18]	.110[2.79]

TABLE 3					
ASSEMBLY	QFSS-26-04.25-D-XX-PCX	"C"	"D"	"E"	"F"
QFSS-026-01-X-D-X-PX4	QFSS-26-04.25-D-01-PC4	1.209[30.70]	1.347[34.21]	1	.170[4.31]
QFSS-026-01-X-D-X-PX8	QFSS-26-04.25-D-01-PC8	1.524[38.70]	1.662[42.21]	3	.327[8.31]
QFSS-052-01-X-D-X-PX4	QFSS-26-04.25-D-02-PC4	2.049[52.04]	2.187[55.55]	1	.170[4.31]
QFSS-052-01-X-D-X-PX8	QFSS-26-04.25-D-02-PC8	2.364[60.04]	2.502[63.55]	3	.327[8.31]
QFSS-078-01-X-D-X-PX4	QFSS-26-04.25-D-03-PC4	2.889[73.37]	3.027[76.89]	1	.170[4.31]
QFSS-078-01-X-D-X-PX8	QFSS-26-04.25-D-03-PC8	3.204[81.37]	3.342[84.89]	3	.327[8.31]

DETAIL 'D'  
 SCALE 8 : 1

**PROPRIETARY NOTE**  
 THIS DOCUMENT CONTAINS INFORMATION  
 CONFIDENTIAL AND PROPRIETARY TO  
 SAMTEC, INC. AND SHALL NOT BE REPRODUCED  
 OR TRANSFERRED TO OTHER DOCUMENTS OR  
 DISCLOSED TO OTHERS OR USED FOR ANY  
 PURPOSE OTHER THAN THAT WHICH IT WAS  
 OBTAINED WITHOUT THE EXPRESSED WRITTEN  
 CONSENT OF SAMTEC, INC.

DO NOT SCALE DRAWING

SHEET SCALE: 2.5:1

**samtec**  
 520 PARK EAST BLVD, NEW ALBANY, IN 47150  
 PHONE: 812-944-6733 FAX: 812-948-5047  
 e-Mail: info@SAMTEC.com code: 55322

DESCRIPTION:  
 .635mm DOUBLE ROW SHIELDED TERMINAL STRIP

DWG. NO.  
**QFSS-XXX-XX.XX-X-D-X-XXX-XX**

BY: CHAD F 05/28/2002 SHEET 3 OF 4

F:\DWG\MISC\MKTG\QFSS-XXX-XX-X-D-X-XXX-XX-MKT.SLDDRW

REVISION V

FIG. 4  
-P: PICK & PLACE PAD OPTION

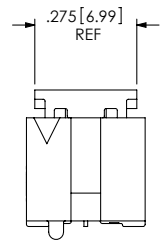
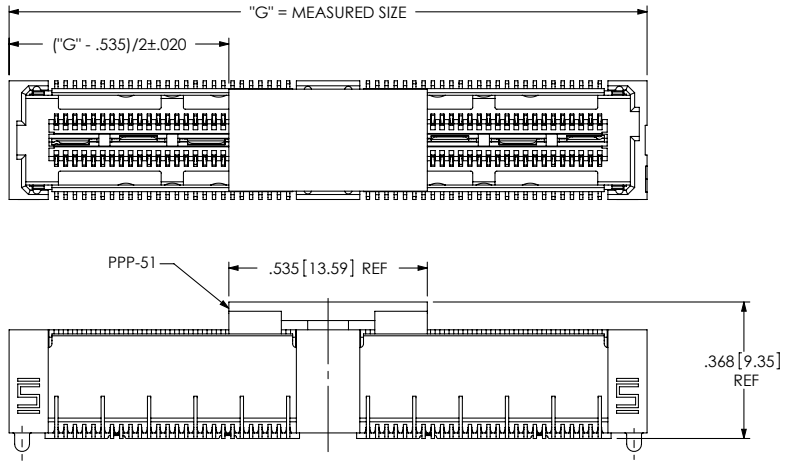
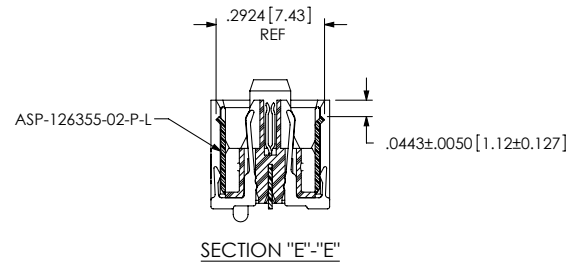
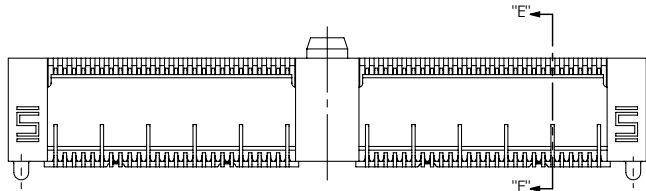


FIG. 5  
-BM: BLIND MATE SHIELD OPTION  
QFSS-052-04.25-X-D-A-BM SHOWN  
(SAME AS FIG. 1, UNLESS OTHERWISE STATED)



**PROPRIETARY NOTE**  
THIS DOCUMENT CONTAINS INFORMATION  
CONFIDENTIAL AND PROPRIETARY TO  
SAMTEC, INC. AND SHALL NOT BE REPRODUCED  
OR TRANSFERRED TO OTHER DOCUMENTS OR  
DISCLOSED TO OTHERS OR USED FOR ANY  
PURPOSE OTHER THAN THAT WHICH IT WAS  
OBTAINED WITHOUT THE EXPRESSED WRITTEN  
CONSENT OF SAMTEC, INC.

DO NOT SCALE DRAWING

SHEET SCALE: 2.5:1

**samtec**  
520 PARK EAST BLVD, NEW ALBANY, IN 47150  
PHONE: 812-944-6733 FAX: 812-948-5047  
e-Mail: info@SAMTEC.com code: 55322

DESCRIPTION:  
.635mm DOUBLE ROW SHIELDED TERMINAL STRIP

DWG. NO.  
QFSS-XXX-XX.XX-X-D-X-XXX-XX

BY: CHAD F 05/28/2002 SHEET 4 OF 4

F:\D\WG\MISC\MKTG\QFSS-XXX-XX-X-D-X-XXX-XX-MKT.SLDDRW