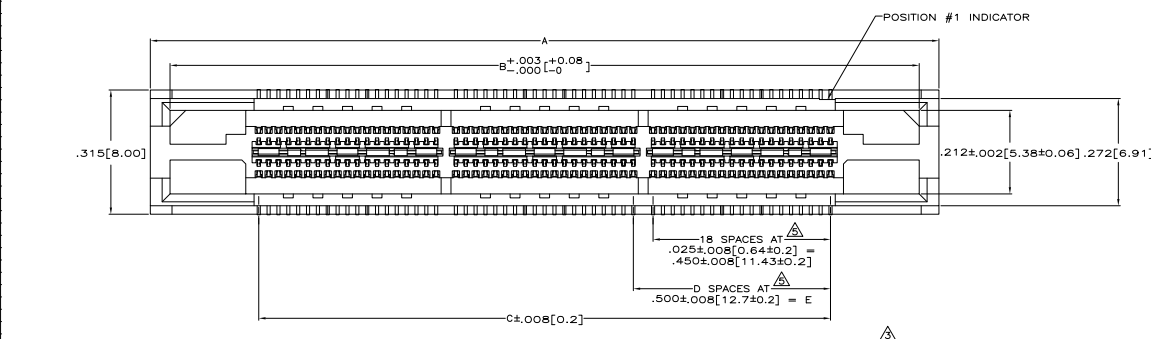
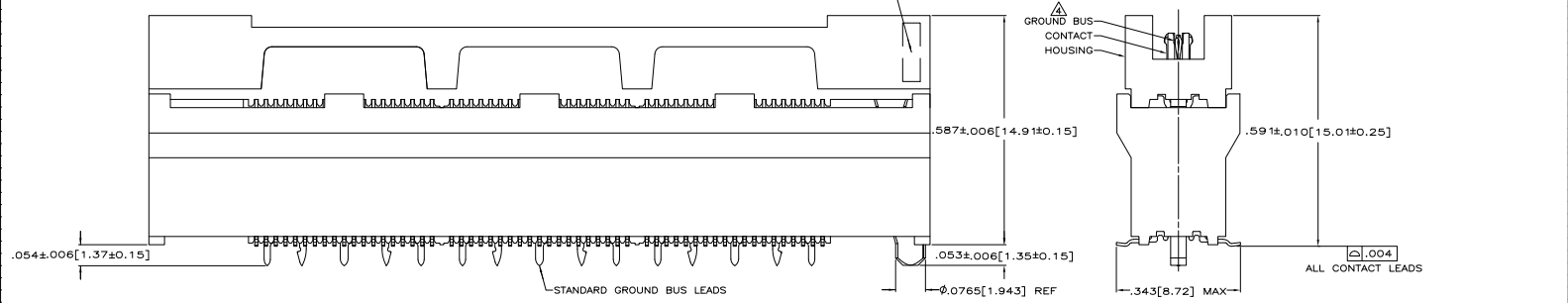


REV	DATE	DESCRIPTION	BY	CHK	APP
AD	47				
B1		REVISED FOR ECO-09-02870			22/04/10 HMR DD



- △ HOUSING: LIQUID CRYSTAL POLYMER, COLOR BLACK.
CONTACTS: HIGH RELIABILITY COPPER ALLOY.
GROUND BUSES: PHOSPHOR BRONZE ALLOY, UNS C51100.
- △ CONTACTS & GROUND BUSES: NICKEL UNDERPLATE ALL OVER, MATING SURFACE PLATED TO MEET LEVEL 1 PERFORMANCE REQUIREMENTS OF TE PRODUCT SPECIFICATION 108-1422, SOLDER TAILS PLATED MATTE TIN.
- △ DATE CODE MARKED IN AREA INDICATED ON SIDE OPPOSITE POSITION #1.
- △ ONE GROUND BUS WITH 5 TAILS PER EACH MODULE.
- △ TOLERANCE NON-ACCUMULATIVE.
- △ FOR SLIP-FIT APPLICATIONS, ORIENTATION HOLE TO BE $\phi .079 \pm 0.001$ [2.00 ± 0.03].
- △ FOR CONNECTORS OF 190 POSITIONS AND LARGER, THE CONNECTORS INTEGRAL GROUND BUS RETENTION FEATURE COMPENSATES FOR INHERENT BOW IN THE HOUSING. ONCE THE CONNECTOR IS PLACED ON THE PCB, COPLANARITY IS HELD TO 0.1 [0.04].
- △ CONNECTORS PACKAGED ON 13 INCH DIA REELS PER EIA 481.
- △ PRELIMINARY - NOT RELEASED FOR PRODUCTION.



SEE SHEET 2 FOR RECOMMENDED PC BOARD LAYOUT AND PACKAGING DETAIL

NO	4.724	120	3.000	76.2	6	3.450	87.63	3.900	99.06	4.000	101.6	266	1-5767146-4
NO	4.724	120	2.500	63.5	5	2.950	74.93	3.400	86.36	3.500	88.9	228	1-5767146-3
NO	4.094	104	2.000	50.8	4	2.450	62.23	2.900	73.66	3.000	76.2	190	1-5767146-2
NO	3.465	88	1.500	38.1	3	1.950	49.53	2.400	60.96	2.500	63.5	152	1-5767146-1
NO	2.835	72	1.000	25.4	2	1.450	36.83	1.900	48.26	2.000	50.8	114	1-5767146-0
NO	2.205	56	.500	12.7	1	.950	24.13	1.400	35.56	1.500	38.1	76	5767146-9
NO	1.732	44	.000	0	0	.450	11.43	.900	22.86	1.000	25.4	38	5767146-8
YES	4.724	120	3.000	76.2	6	3.450	87.63	3.900	99.06	4.000	101.6	266	5767146-7
YES	4.724	120	2.500	63.5	5	2.950	74.93	3.400	86.36	3.500	88.9	228	5767146-6
YES	4.724	120	2.000	50.8	4	2.450	62.23	2.900	73.66	3.000	76.2	190	5767146-5
YES	3.465	88	1.500	38.1	3	1.950	49.53	2.400	60.96	2.500	63.5	152	5767146-4
YES	2.835	72	1.000	25.4	2	1.450	36.83	1.900	48.26	2.000	50.8	114	5767146-3
YES	2.205	56	.500	12.7	1	.950	24.13	1.400	35.56	1.500	38.1	76	5767146-2
YES	1.732	44	.000	0	0	.450	11.43	.900	22.86	1.000	25.4	38	5767146-1

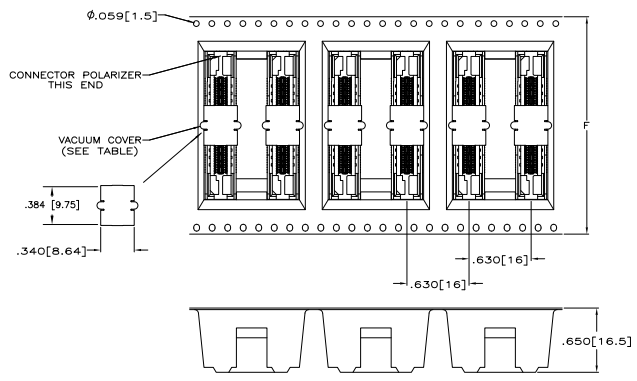
VACUUM COVER INCLUDED		F	E	D	C	B	A	NO OF POS	PART NUMBER
NO	YES								

THIS DRAWING IS A CONTROLLED DOCUMENT.

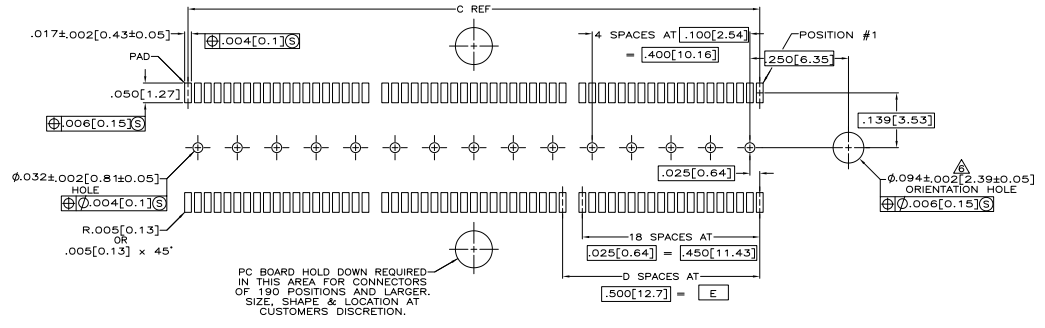
REVISIONS: 108-1422, 114-11004

RECEPTACLE ASSEMBLY, .305(9.02) VERTICAL, .025(0.64) CL, GULL WING LEADS, POCKET TAPE PACKAGED, MICTOR

CUSTOMER DRAWING



PACKAGING DETAIL Δ
 SCALE 2:1
 DIMENSIONS ARE FOR REFERENCE



RECOMMENDED PC BOARD LAYOUT
 (VIEWED FROM CONNECTOR SIDE)

THIS DRAWING IS A CONTROLLED DOCUMENT.		REV. 47	DATE 08/01/05	BY AD	APP'D
DESCRIPTION	REVISIONS	DATE	BY	APP'D	
RECEPTACLE ASSEMBLY, .305[9.02] VERTICAL, .025[0.64] CL, GULL WING LEADS, POCKET TAPE PACKAGED, MICRO					
SIZE	DATE	ISSUE	REV.	BY	APP'D
A1	00779	05767146	1		
CUSTOMER DRAWING		SIZE 8.1	SHEET 2	OF 2	81