

4

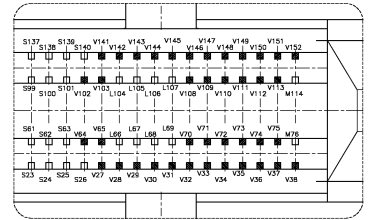
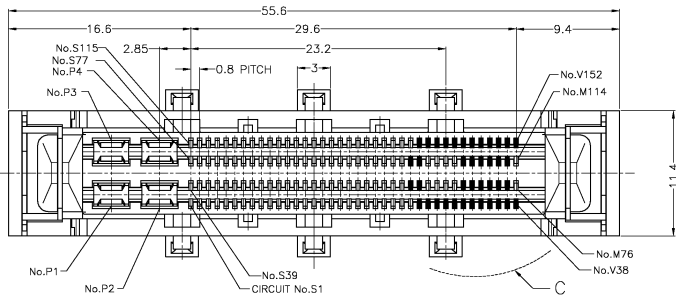
3

2

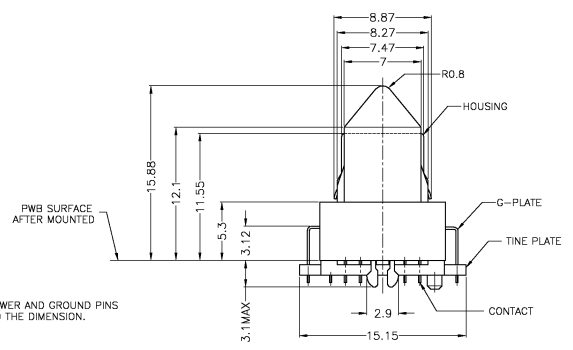
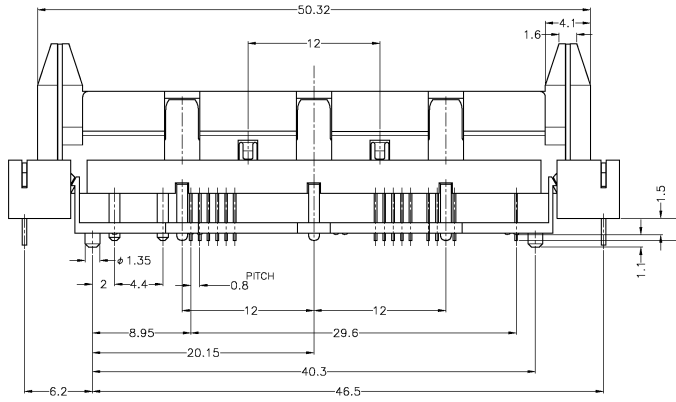
1

THIS DRAWING IS UNPUBLISHED. RELEASED FOR PUBLICATION 2001.
 © COPYRIGHT 2001 BY TYCO ELECTRONICS CORPORATION. ALL RIGHTS RESERVED.

LOC	DIST	REVISIONS					
		P	LTR	DESCRIPTION	DATE	OWN	APPD
J		O		RELEASED(FJBO-1267-04)	11NOV04	M.K	Y.Y



DETAIL C (SCALE=1)
 (THIS FIG. SHOWS VOID CONT. POSITION,
 AND NOT COMPLETELY RIGHT FIGURE.)



NUMBER OF PINS
 SIGNAL 102P
 MODEM 2P
 LAN 8P
 VOID 40P
 POWER 4P

鉛フリー
 LEAD FREE

-1 ; AS SHOWN

PANEL OPENING DIM.

THIS DRAWING IS A CONTROLLED DOCUMENT.		DRW M.KATO 11NOV04	tyco Tyco Electronics AMP K.K.
		CHK S.KAJINUMA 11NOV04	Kawasaki, Japan
		APPD Y.YAMAMOTO 11NOV04	
		PRODUCT SPEC 108-78217	0.8 DOCKING CONNECTOR REC (152P + POWER 4P)
		APPLICATION SPEC	SEE CASE CODE DRAWING NO. A2 00779 ©-6565136
MATERIAL		WEIGHT 7.4g	RESTRICTED TO
FINISH		CUSTOMER DRAWING	SCALE 2:1 SHEET 1 OF 3 REV 0

4

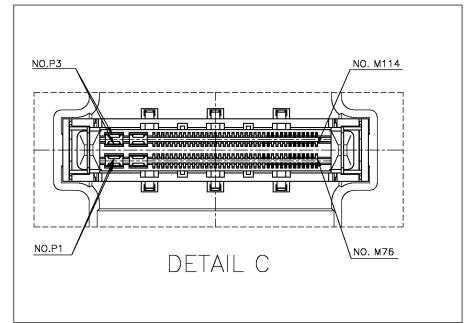
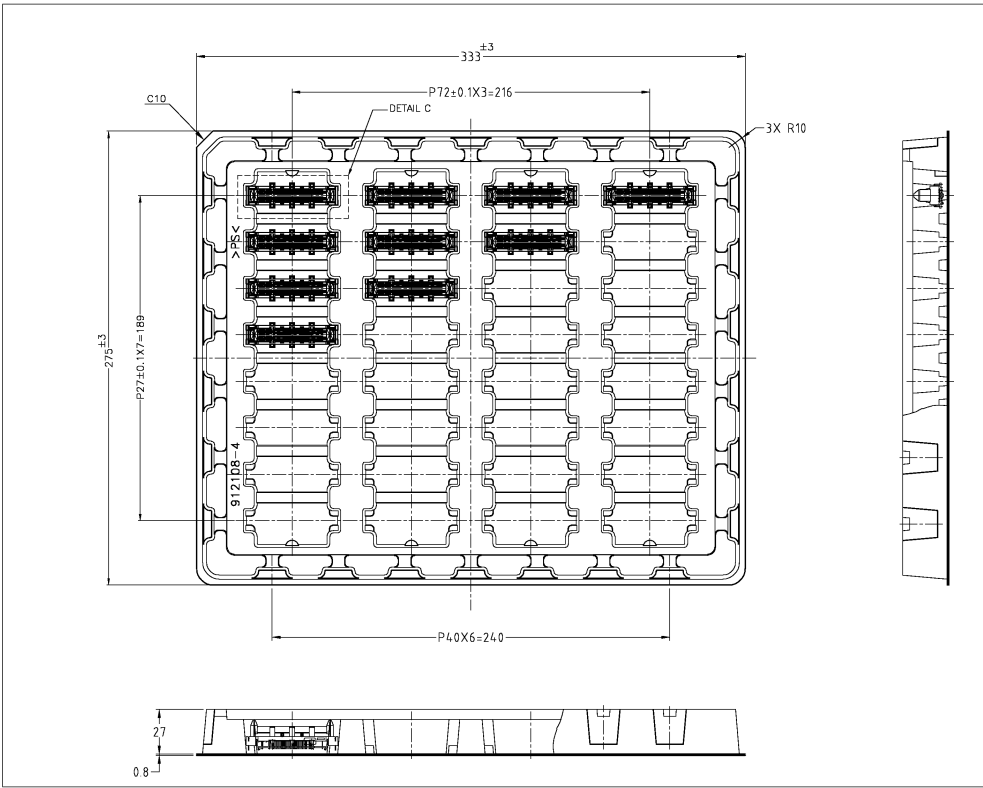
3

2

1

THIS DRAWING IS UNPUBLISHED. RELEASED FOR PUBLICATION 2001.
 © COPYRIGHT 2001 BY TYCO ELECTRONICS CORPORATION. ALL RIGHTS RESERVED.

LOC	DIST	REVISIONS				
J	P	LTR	DESCRIPTION	DATE	DWN	APVD
			SEE SHEET 1			



鉛フリー
LEAD FREE

- 1:AS SHOWN

40/TRAY	SEMI HARD TRAY	6565136-1
QUANTITY PER PACKAGE	PACKING	PART NO.

THIS DRAWING IS A CONTROLLED DOCUMENT.		DWN	tyco Electronics		Tyco Electronics AMP K.K. Kawasaki, Japan	
DIMENSIONS:	TO DIMENSIONS UNLESS OTHERWISE SPECIFIED	CHK	APCD	NAME	0.8 DOCKING CONNECTOR REC (152P + POWER 4P)	
MW		PRODUCT SPEC	APPLICATION SPEC	SPEC	CAGE CODE	DRAWING NO.
0 P.L.C 1 P.L.C 2 P.L.C 3 P.L.C 4 P.L.C 5 P.L.C 6 P.L.C	0 P.L.C 1 P.L.C 2 P.L.C 3 P.L.C 4 P.L.C 5 P.L.C 6 P.L.C	MATERIAL	FINISH	A2	00779	6565136
CUSTOMER DRAWING		SCALE	NTS	SHEET	3	OF 3
		REV	0	RESTRICTED TO		