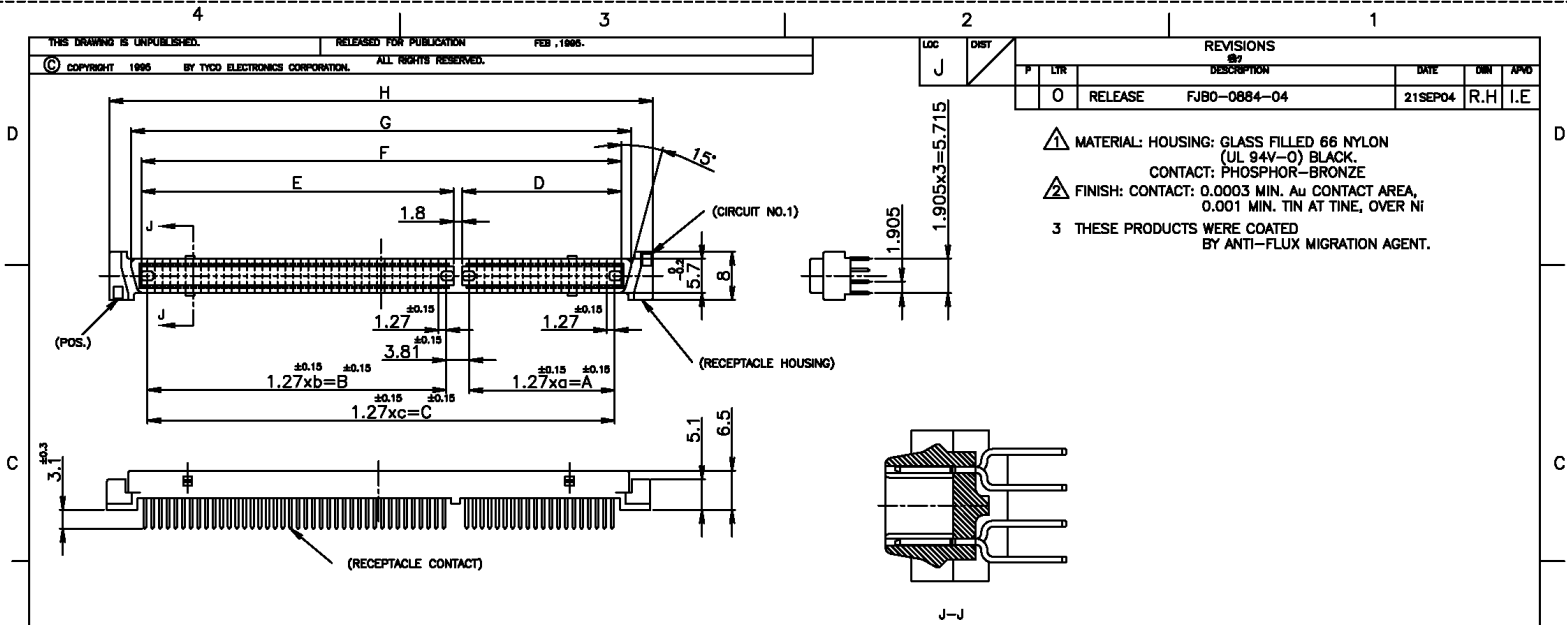


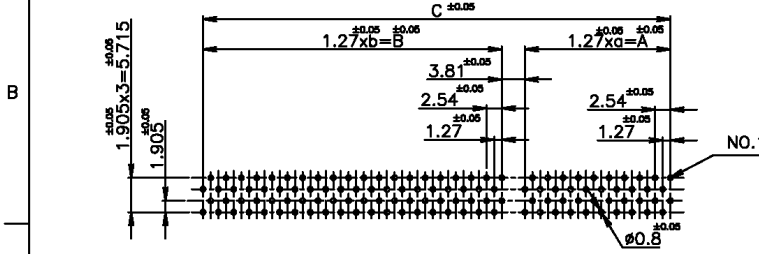
THIS DRAWING IS UNPUBLISHED. RELEASED FOR PUBLICATION FEB. 1996.
 © COPYRIGHT 1995 BY TYCO ELECTRONICS CORPORATION. ALL RIGHTS RESERVED.

REV	DESCRIPTION	DATE	BY	APP'D
0	RELEASE	FJBO-0884-04	21SEP04	R.H. I.E.



△ MATERIAL: HOUSING: GLASS FILLED 66 NYLON (UL 94V-0) BLACK.
 CONTACT: PHOSPHOR-BRONZE
 △ FINISH: CONTACT: 0.0003 MIN. Au CONTACT AREA, 0.001 MIN. TIN AT TINE, OVER Ni
 3 THESE PRODUCTS WERE COATED BY ANTI-FLUX MIGRATION AGENT.

180	39	49.53	49	62.23	---	115.57	51.53	64.23	117.57	120.66	128.19	↑	-8
160	29	36.83	49	62.23	---	102.87	38.83	64.23	104.87	107.96	115.49	↑	-7
140	29	36.83	39	49.53	---	90.17	38.83	51.53	92.17	95.26	102.79	↑	-6
120	19	24.13	39	49.53	---	77.47	26.13	51.53	79.47	82.56	90.09	↑	-5
100	---	---	---	---	---	49	62.23	---	64.23	67.32	74.85	↑	-4
80	---	---	---	---	---	39	49.53	---	51.53	54.62	62.15	↑	-3
60	---	---	---	---	---	29	36.83	---	38.83	41.92	49.45	↑	-2
40	---	---	---	---	---	19	24.13	---	26.13	29.22	36.75	↑	-1
POS.	a	A	b	B	c	C	D	E	F	G	H		P/N



P.C. BOARD LAYOUT
(CONNECTOR MOUNT SIDE)

LEAD FREE

THIS DRAWING IS A CONTROLLED DOCUMENT.

DIMENSIONS: 25(D) # MIL	TOLERANCES UNLESS OTHERWISE SPECIFIED: 25-50# 0 PL/C ± 0.2 1 PL/C ± 0.2 2 PL/C ± 0.2 3 PL/C ± 0.2 4 PL/C ± 0.2 ANGLES ± 3°	DRN ROY HAO 21SEP04 DK STEVEN YAO 21SEP04 APVD I ENOMOTO 21SEP04 PRODUCT SPEC: ALCUVR APPLICATION SPEC: 1,27 (127)39 WEIGHT	 Tyco Electronics AMP K.K. Kawasaki, Japan AMP FH CONNECTOR RECEPTACLE (VERTICAL) 9mm STACKING SIZE: A3 CAGE CODE: 00779 DRAWING NO: 5917629 RESTRICTED TO:
-------------------------------	--	--	---

MATERIAL: ALR FINISH: ALR CUSTOMER DRAWING SCALE: 7# SHEET: 1 OF 1 REV: 0

AMP 1470-19 REV 31MAR2000

\\amp;pe\G\All Guys\Carel Wang\9 Lead Free Projects\8057704-FH connector\c-5917629_0.dwg