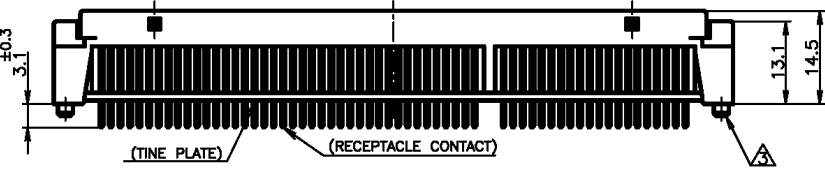
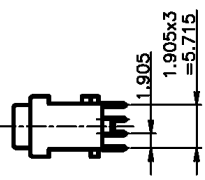
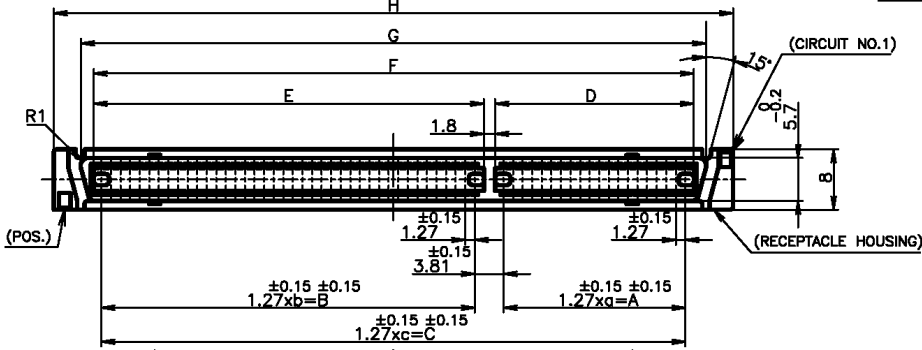
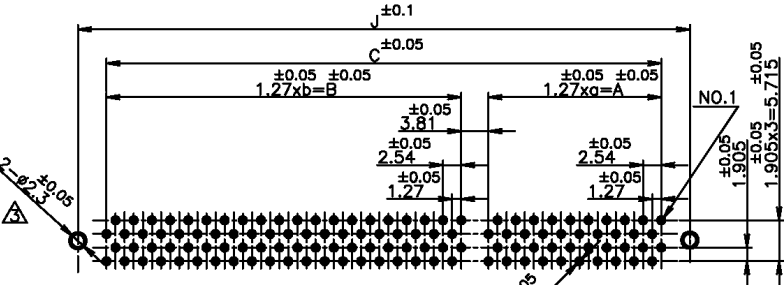


THIS DRAWING IS UNPUBLISHED. RELEASED FOR PUBLICATION AUG, 1989.  
 © COPYRIGHT 1989 BY TYCO ELECTRONICS CORPORATION. ALL RIGHTS RESERVED.

LOC	DIST	REVISIONS		
ES	00	#7	DATE	DRN
		DESCRIPTION		APVD
		0 RELEASE FJBO-0884-04	01SEP04	R.H.I.E



- △ MATERIAL: HOUSING: GLASS FILLED 66NYLON (UL94V-0) BLACK  
CONTACT: PHOSPHOR-BRONZE
- △ FINISH: CONTACT: 0.0003 MIN. Au AT CONTACT AREA,  
0.001 MIN. TIN AT TINE, OVER NI
- △ BOSS FOR POSITIONING: P/N -1, -2, -3, -4



180	39	49.53	49	62.23	—	15.57	51.53	64.23	17.57	20.66	128.19	25.54	—	-8
120	19	24.13	39	49.53	—	77.47	26.13	51.53	79.47	82.56	90.09	87.44	—	-5
100	—	—	—	—	49	62.23	—	—	64.23	67.32	74.85	72.2	—	-4
80	—	—	—	—	39	49.53	—	—	51.53	54.62	62.15	59.5	—	-3
40	—	—	—	—	19	24.13	—	—	26.13	29.22	36.75	34.1	—	5176377-1
POS.	a	A	b	B	c	C	D	E	F	G	H	J		P/N

P.C. BOARD LAYOUT  
(CONNECTOR MOUNT SIDE)

LEAD FREE

THIS DRAWING IS A CONTROLLED DOCUMENT.

DIMENSIONS:	TOLERANCES UNLESS OTHERWISE SPECIFIED:
mm	0 PLC ±
	1 PLC ±
	2 PLC ±
	3 PLC ±
	4 PLC ±
	ANGLES ±
MATERIAL	FINISH

GENERAL TOLERANCE
10 ±: ±0.2
30 > 10: ±0.25
100 > 30: ±0.3
ANGLES: ±3°

DRN	ROY HAO	01SEP04	Tyco Electronics	Tyco Electronics AMP K.K. Kawasaki, Japan
DK	STEVEN YAO	01SEP04		
APVD	J. ENOMOTO	01SEP04	AMP FH CONNECTOR RECEPTACLE (VERTICAL)	
PRODUCT SPEC	—			
APPLICATION SPEC	—			
WEIGHT	SIZE	QAGE CODE	DRAWING NO	RESTRICTED TO
	A3	00779	5176377	—
CUSTOMER DRAWING	SCALE	SHEET	OF	REV
	2:1	1	1	0

AMP 1470-18 REV 31MAR2000

\\amp\_pe\G\All Guys\Carel Wang\9 Lead Free Projects\B057704-FH connector\c-5176377\_0.dwg