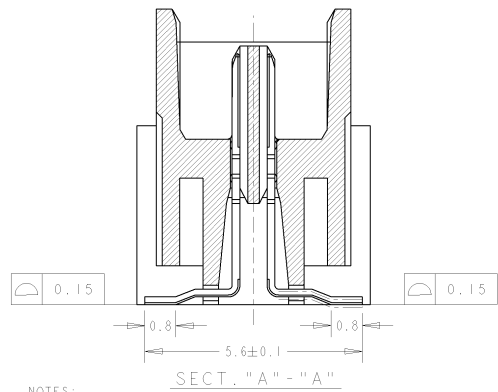
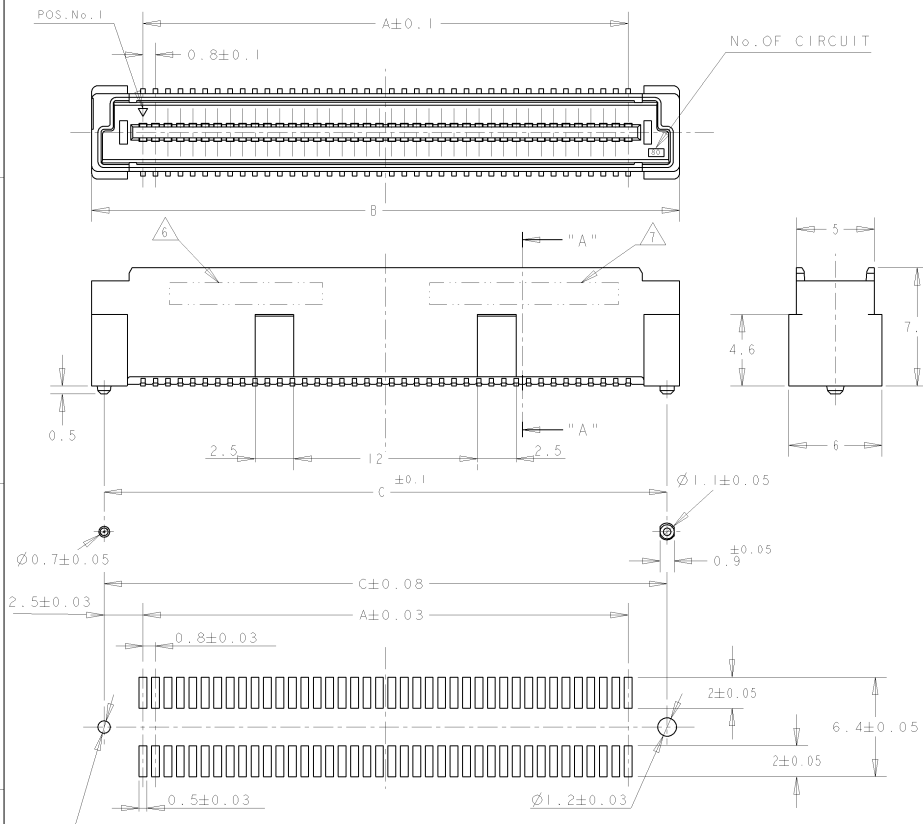


THIS DRAWING IS UNPUBLISHED  
 RELEASED FOR PUBLICATION  
 COPYRIGHT 19 BY - ALL RIGHTS RESERVED.

LOC	DIST	REVISIONS			
P	LTR	DESCRIPTION	DATE	BY	APVD
G2		REVISED PER ECO-11-005139	19MAR11	RK	HMR



- NOTES:
- △ MATERIAL: HOUSING: L.C.P (HIGH TEMP THERMO PLASTIC)  
UL 94V-0, NATURAL.  
CONTACT: BRASS.
  - △ FINISH: CONTACT AREA: 0.0002 MIN GOLD ON  
0.0013 MIN ALL OVER NICKEL.  
SOLDERING AREA: 0.001 MIN TIN-LEAD.
  - 3. POSITION SERIES: SEE TABLE.
  - 4. CONN STACK HEIGHT COMBINE OF PLUG "Y" H VS REC "X" H.  
STACK HEIGHT = Y + X - 5
  - △ THIS ITEM IS PRELIMINARY.
  - △ DATE CODE MARKING AT APPROXIMATE LOCATION AS SHOWN.
  - △ PART NUMBER MARKING AT APPROXIMATE LOCATION AS SHOWN.
  - △ OBSOLETE PARTS: OBSOLETE CIS STREAMLINING PER D.RENAUD/D.SINISI

DIMENSIONS: mm		TOLERANCES UNLESS OTHERWISE SPECIFIED:		DWN T. KUSUHARA		30MAR93		TE Connectivity	
		0 PLC ± 1 PLC ±0.30 2 PLC ±0.25 3 PLC ±0.20 4 PLC ± ANGLE ±3°		CHK I. ENOMOTO		NAME PLUG ASSEMBLY 8H TYPE (0.5 BOSS LENGTH) FOR FH 0.8MM PITCH B-T-B CONNECTOR			
MATERIAL		FINISH		APVD S.F. LEONG		PRODUCT SPEC 108-5390		SIZE A3	
				APPLICATION SPEC 114-5254		DRAWING NO C-179031		CAGE CODE 00779	
				WEIGHT		DRAWING NO C-179031		SCALE 4:1	
				CUSTOMER DRAWING		SHEET 1 of 2		REV G2	

AMP 1470-19 REV 09MAY94

4

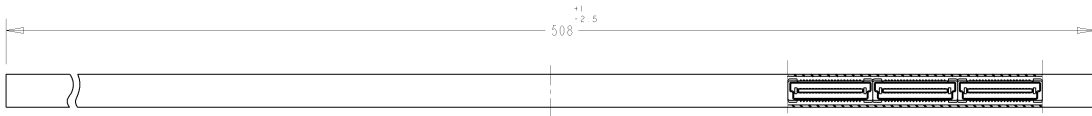
3

2

1

THIS DRAWING IS UNPUBLISHED. RELEASED FOR PUBLICATION .19  
 BY - ALL RIGHTS RESERVED.

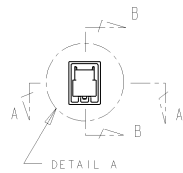
LOC	DIST	REVISIONS			
P	LTR	DESCRIPTION	DATE	DWN	APVD
DY	-	SEE SHEET 1			



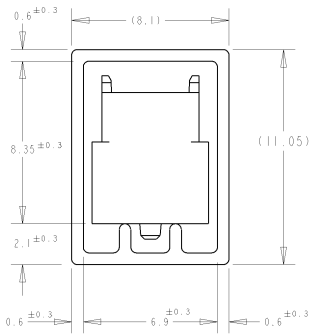
SECT A-A



SECT B-B



REFERENCE PICTURE OF TUBE PACK



DETAIL "B"  
(SCALE 5-1)

**OBSOLETE**

14	32.2	33.8	27.2	70		
5	84.2	85.8	79.2	200	1-	-0
6	76.2	77.8	71.2	180		-9
6	68.2	69.8	63.2	160		-8
7	60.2	61.8	55.2	140		-6
9	52.2	53.8	47.2	120		-5
10	44.2	45.8	39.2	100		-4
12	36.2	37.8	31.2	80		-3
16	28.2	29.8	23.2	60		-2
22	20.2	21.8	15.2	40		179031-1
QTY/TUBE	C	B	A	POS.	CONN P/N	

DIMENSIONS: mm 		TOLERANCES UNLESS OTHERWISE SPECIFIED: 0 PLC ± 1 PLC ±0.30 2 PLC ±0.25 3 PLC ±0.20 4 PLC ± ANGLES ±°		DWN T. KUSUHARA 30MAR93 CHK I. ENOMOTO APVD SF LEONG PRODUCT SPEC 108-5390 APPLICATION SPEC 114-5254 WEIGHT CUSTOMER DRAWING		<b>STE</b> TE Connectivity NAME PLUG ASSEMBLY 8H TYPE (0.5 BOSS LENGTH) FOR FH 0.8MM PITCH B-T-B CONNECTOR SIZE A3 CAGE CODE 00779 DRAWING NO. C-179031 SCALE 4:1 SHEET 2 OF 2 REV 02			
--------------------	--	--	--	--	--	--	--	--	--