



4

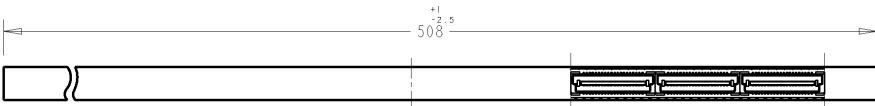
3

2

1

THIS DRAWING IS UNPUBLISHED. RELEASED FOR PUBLICATION .19  
 BY - ALL RIGHTS RESERVED.

LOC	DIST	REVISIONS				
F	LTR	DESCRIPTION	DATE	OWN	APVD	
1		SEE SHEET 1 OF 3				



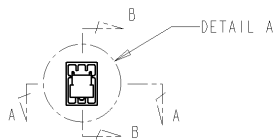
SECT A-A



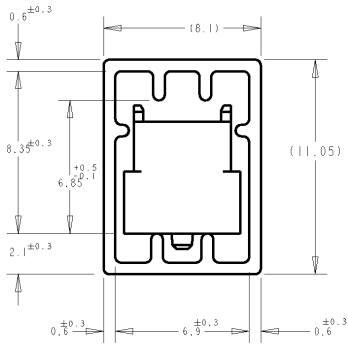
SECT B-B

REFERENCE PICTURE OF TUBE PACK

PLUG ASS'Y (H=5mm, W/STEEL COVER),  
 P/N 9-912056-7 0.8mm BTB STACKING CONN



DETAIL A



DETAIL "B"  
(SCALE 5-1)

5	84.2	85.8	79.2	200	2-	-0
6	76.2	77.8	71.2	180	1-	-9
6	68.2	69.8	63.2	160	1-	-8
7	64.2	65.8	59.2	150	1-	-7
7	60.2	61.8	55.2	140	1-	-6
9	52.2	53.8	47.2	120	1-	-5
10	44.2	45.8	39.2	100	1-	-4
12	36.2	37.8	31.2	80	1-	-3
16	28.2	29.8	23.2	60	1-	-2
22	20.2	21.8	15.2	40	1-	-1
5	84.2	85.8	79.2	200	1-	-0
6	76.2	77.8	71.2	180		-9
6	68.2	69.8	63.2	160		-8
7	64.2	65.8	59.2	150	1-	-7
7	60.2	61.8	55.2	140		-6
9	52.2	53.8	47.2	120		-5
10	44.2	45.8	39.2	100		-4
12	36.2	37.8	31.2	80		-3
16	28.2	29.8	23.2	60		-2
22	20.2	21.8	15.2	40		179030-1
FINISH	QTY/TUBE	C	B	A	POS.	CONN P/N

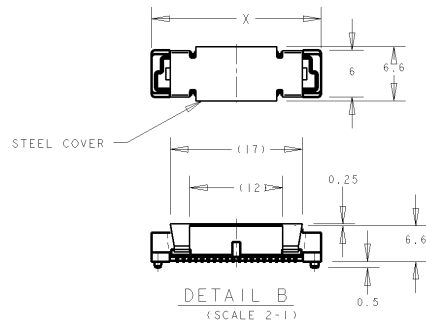
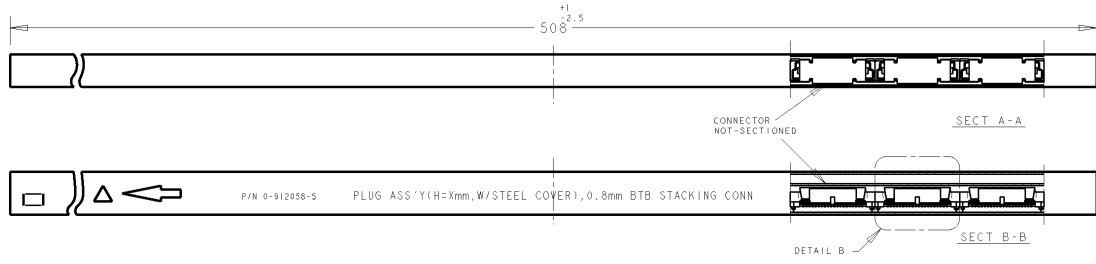
DIMENSIONS: mm		TOLERANCES UNLESS OTHERWISE SPECIFIED: 0 PLC ± 1 PLC ±0.2 2 PLC ±0.25 3 PLC ±0.3 4 PLC ± ANGLES ± FINISH		DWN T. KUSUHARA 30MAR93 CHK I. ENOMOTO 30MAR93 APVD SF LEONG PRODUCT SPEC APPLICATION SPEC WEIGHT CUSTOMER DRAWING	<b>STE</b> TE Connectivity NAME PLUG ASSEMBLY 7H TYPE (0.5 BOSS LENGTH) FOR FH 0.8mm PITCH B-T-B CONNECTOR SIZE A3 CAGE CODE 00779 DRAWING NO. C-179030 SCALE 4:1 SHEET 2 OF 3 REV J4
-------------------	--	---	--	--	---

AMP 1470-19 REV 09MAT94

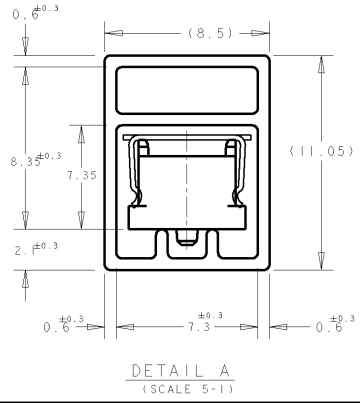
PROJ. NO. 593-312

THIS DRAWING IS UNPUBLISHED. RELEASED FOR PUBLICATION .19 .  
 COPYRIGHT 19 BY - ALL RIGHTS RESERVED.

LOC	DIST	REVISIONS			
F	LTR	DESCRIPTION	DATE	OWN	APVD
DY	-	SEE SHEET 1			



PLUG TUBE ASSY WITH STEEL COVER FOR FH 0.8 B-T-B CONNECTOR



REMARKS	FINISH	QTY/TUBE	POS.	CONN P/N	
WITH STEEL COVER	△	5	85.8	200	3- -0
		6	77.8	180	2- -9
		6	69.8	160	△ →
		7	65.8	150	△ →
		7	61.8	140	△ →
		9	53.8	120	△ →
		10	45.8	100	△ →
		12	37.8	80	△ →
		16	29.8	60	△ →
		22	21.8	40	△ →

DIMENSIONS: mm 		TOLERANCES UNLESS OTHERWISE SPECIFIED: 0 PLC ± 1 PLC ±0.20 2 PLC ±0.25 3 PLC ±0.30 4 PLC ± ANGLES ±°		DWN WYLEE 2AUG04 CHK ERIC TING APVD SEIFONG PRODUCT SPEC - APPLICATION SPEC - WEIGHT - MATERIAL - FINISH -	NAME: PLUG ASSEMBLY 7H TYPE (0.5 BOSS LENGTH) FOR FH 0.8mm PITCH B-T-B CONNECTOR SIZE: A3 CAGE CODE: 00779 DRAWING NO: C-179030 SCALE: 1:1 SHEET 3 OF 3 REV J4
--------------------	--	--	--	--	--

AMP 1470-19 REV 09M194