

4

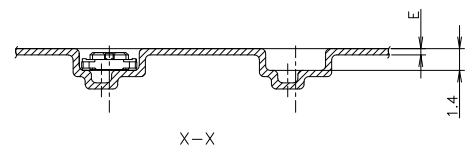
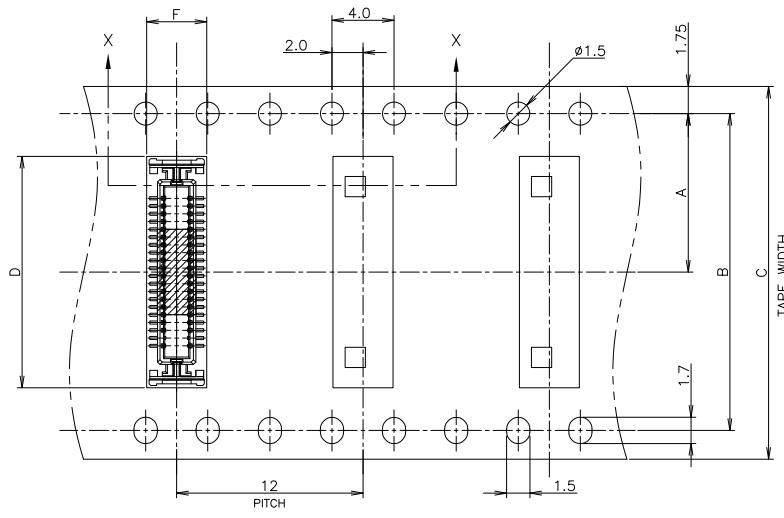
3

2

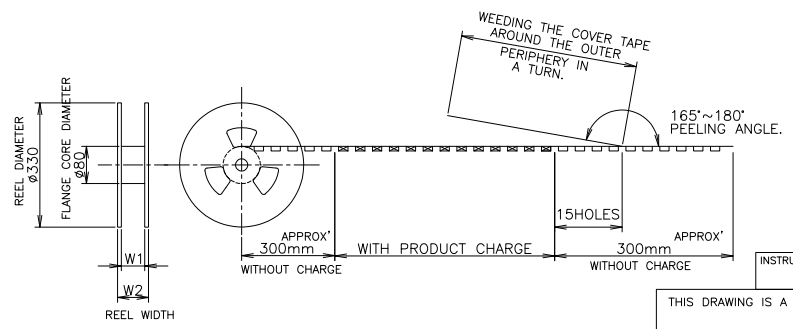
1

THIS DRAWING IS UNPUBLISHED. RELEASED FOR PUBLICATION NOV. 2004.
 © COPYRIGHT 2004 BY TYCO ELECTRONICS CORPORATION. ALL RIGHTS RESERVED.

LOC	DIST	REVISIONS					
J		P	LTR	DESCRIPTION	DATE	DWN	APVD
		E	REVISED	ECR-08-015052	13JUN08	T.T	T.F



TOP OF REEL →



△	48.7	45.5	3.86	0.4	24.9	44	40.4	20.2	1500	80	8-5353164-6
△	48.7	45.5	3.86	0.4	24.9	44	40.4	20.2	1500	80	8-5353164-5
△	48.7	45.5	3.86	0.4	24.9	44	40.4	20.2	1500	80	8-5353164-0
△	48.7	45.5	3.86	0.4	22.4	44	40.4	20.2	1500	70	7-5353164-7
△	48.7	45.5	3.86	0.4	22.4	44	40.4	20.2	1500	70	7-5353164-6
△	48.7	45.5	3.86	0.4	22.4	44	40.4	20.2	1500	70	7-5353164-5
△	48.7	45.5	3.86	0.4	22.4	44	40.4	20.2	1500	70	7-5353164-0
	37.5	33.5	3.8	0.4	19.85	32	28.4	14.2	1500	60	6-5353164-5
	37.5	33.5	3.8	0.4	19.85	32	28.4	14.2	1500	60	6-5353164-0
	29.5	25.5	3.8	0.4	17.35	24	11.5	11.5	1500	50	5-5353164-5

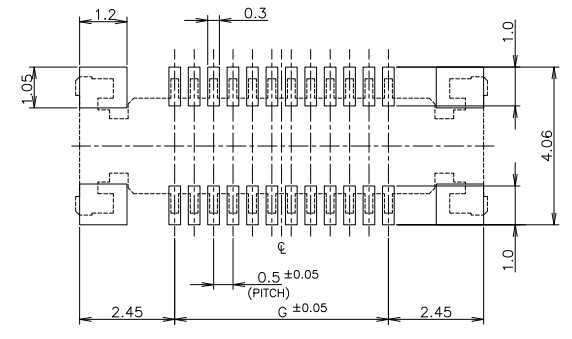
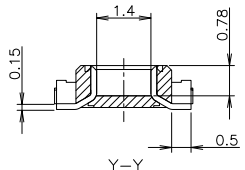
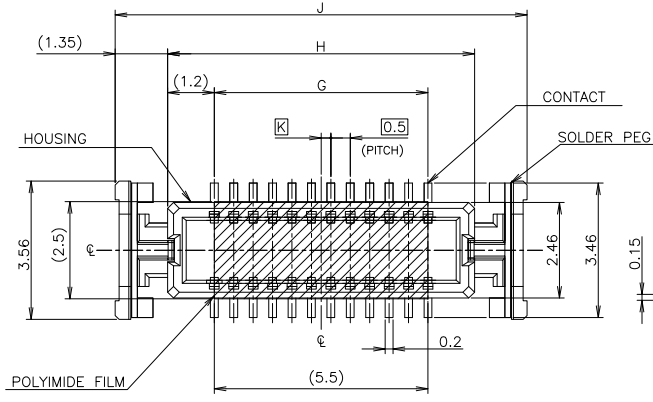
INSTRUCTION SHEET
411-5781

THIS DRAWING IS A CONTROLLED DOCUMENT.

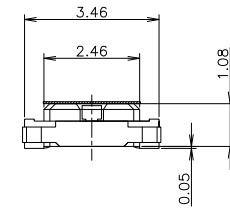
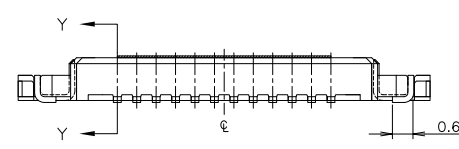
DIMENSIONS: 單位: 毫米	TOLERANCES UNLESS OTHERWISE SPECIFIED: 公差	DWN J. ZHU	04NOV04	Tyco Electronics Corporation Kawasaki, Japan
0 PLC ± 0.2	1 PLC ± 0.2	CHK S. YAO	04NOV04	
2 PLC ± 0.2	3 PLC ± 0.2	APVD I. ENOMOTO	04NOV04	NAME 名稱
4 PLC ± 0.2	ANGLES ± 0.2°	PRODUCT SPEC 製品規格		ON TAPING EMBOSS 0.5mm PITCH FS CONN. TAB ASSEMBLY WITH FILM
MATERIAL 材料	FINISH 仕上	APPLICATION SPEC 取付適用規格	SIZE A.3	CAGE CODE 00779
CUSTOMER DRAWING			DRAWING NO. 圖號	RESTRICTED TO
			SCALE 尺度	4:1
			SHEET	1 of 2
			REV	E

THIS DRAWING IS UNPUBLISHED. RELEASED FOR PUBLICATION NOV. 2004.
 COPYRIGHT 2004 BY TYCO ELECTRONICS CORPORATION. ALL RIGHTS RESERVED.

LOC	DIST	REVISIONS			
P	LTR	DESCRIPTION	DATE	DWN	APVD
		SEE SHEET 1			



(T=0.6 MIN.)
P.C. BOARD LAYOUT (REF.)



- 1 MATING COUNTER PART NUMBER: 5353158
- ⚠ MATERIAL
- HOUSING: HIGH HEAT-RESISTED
- CONTACT: COPPER ALLOY (t=0.15), Au-PLT
- SOLDER PEG: COPPER ALLOY (t=0.15), TIN-PLT
- CONTACT : CONTACT POINT Au PLT. 0.00076 MIN.
- ⚠ HSG : LCP VERSION
- ⚠ SUPERSEDED LIST

FROM	TO
7-5353164-0	7-5353164-7
7-5353164-5	7-5353164-6
8-5353164-0	8-5353164-6

⚠	⚠	0.25	24.6	21.9	19.5	80	8-5353164-6
⚠	⚠	0.25	24.6	21.9	19.5	80	8-5353164-5
⚠	⚠	0.25	24.6	21.9	19.5	80	8-5353164-0
⚠	⚠	---	22.1	19.4	17	70	7-5353164-7
⚠	⚠	---	22.1	19.4	17	70	7-5353164-6
⚠	⚠	---	22.1	19.4	17	70	7-5353164-5
⚠	⚠	---	22.1	19.4	17	70	7-5353164-0
⚠	⚠	0.25	19.6	16.9	14.5	60	6-5353164-5
⚠	⚠	0.25	19.6	16.9	14.5	60	6-5353164-0
⚠	⚠	---	17.1	14.4	12.0	50	5-5353164-5

THIS DRAWING IS A CONTROLLED DOCUMENT.

DIMENSIONS:	TOLERANCES UNLESS OTHERWISE SPECIFIED:
単位: 概 mm	一般公差
0 PLC	± 0.2
1 PLC	± 0.2
2 PLC	± 0.2
3 PLC	± 0.2
4 PLC	± 0.2
ANGLES	± 3°

MATERIAL 材料 FINISH 仕上

INSTRUCTION SHEET	411-5781			DIMENSION	POS.	PART NO.
DWN				Tyco Electronics Corporation Kawasaki, Japan		
CHK				ON TAPING EMBOSS 0.5mm PITCH FS CONN. TAB ASSEMBLY WITH FILM		
APVD				SIZE	CAGE CODE	DRAWING NO
PRODUCT SPEC				A3	00779	5353164
製品規格				RESTRICTED TO		
APPLICATION SPEC				SCALE	SHEET	REV
取付適用規格				10:1	2 of 2	E
WEIGHT				CUSTOMER DRAWING		