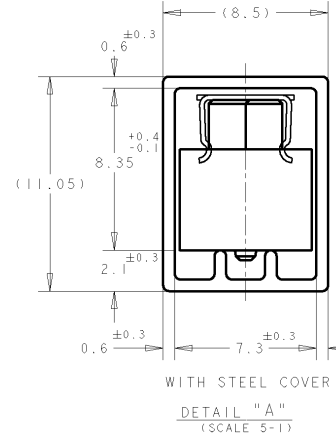
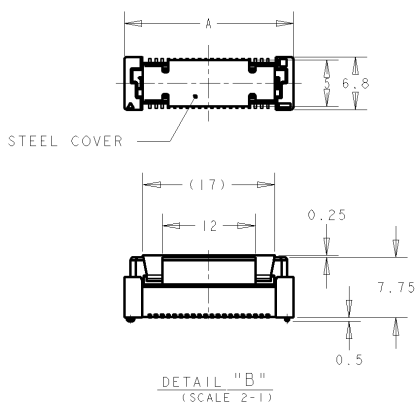
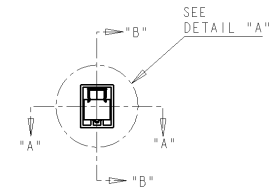
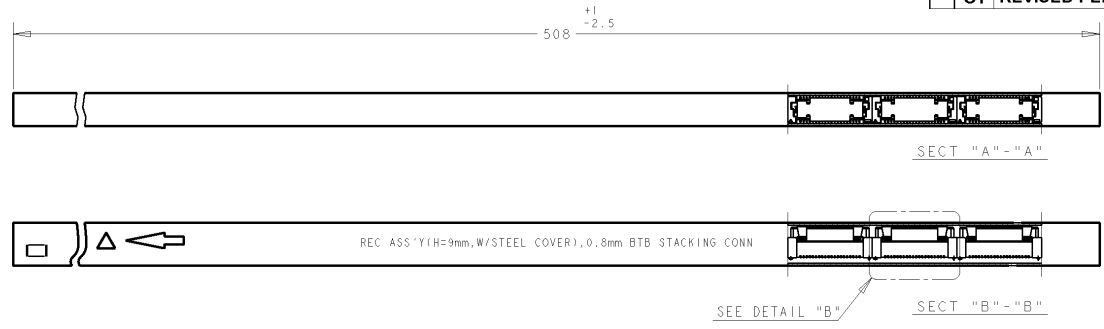


PROJ No. 593-312
C
B
A

THIS DRAWING IS UNPUBLISHED. RELEASED FOR PUBLICATION
 COPYRIGHT 19 BY AMP INCORPORATED. ALL RIGHTS RESERVED.

LOC	DIST	REVISIONS					
01	-	F	LTR	DESCRIPTION	DATE	OWN	APVD
01	-			REVISED PER ECO-09-026459	28NOV09	KK	AEG



1 OBSOLETE
2 OBSOLETE

1	5	85.8	1-	-0	200	8-	-0	
	6	77.8		-9	180	7-	-9	
	6	69.8		-8	160	7-	-8	
	7	61.8		-6	140	7-	-6	
	9	53.8		-5	120	7-	-5	
	10	45.8		-4	100	7-	-4	
	11	37.8		-3	80	7-	-3	
	14	29.8		-2	60	7-	-2	
	18	21.8	5084613-1		40	7-5179232-1		
	5	85.8	6-	-0	200	6-	-0	
	6	77.8	5-	-9	180	5-	-9	
	6	69.8	5-	-8	160	5-	-8	
	7	61.8	5-	-6	140	5-	-6	
	9	53.8	5-	-5	120	5-	-5	
	10	45.8	5-	-4	100	5-	-4	
	11	37.8	5-	-3	80	5-	-3	
	14	29.8	5-	-2	60	5-	-2	
	18	21.8	5-5179009-1		40	5-5179232-1		
REMARKS	QTY / TUBE	A	CONN P/N	POS.	PART NO.			

NOTE:
 1 30"u AU PLATING
 2 OBSOLETE PARTS: OBSOLETE CIS STREAMLINING PER D.RENAUD/D.SINISI

<small>THIS DRAWING IS A CONTROLLED DOCUMENT FOR AMP INCORPORATED IT IS SUBJECT TO CHANGE AND THE CONTROLING ENGINEERING ORGANIZATION SHOULD BE CONTACTED FOR THE LATEST REVISION.</small>		DWN 15SEP04 FLORENCE TAN CHK ERIC TNG APVD SEI LEONG PRODUCT SPEC - APPLICATION SPEC - WEIGHT - CUSTOMER DRAWING	tyco Electronics Tyco Electronics (Singapore) Pte. Ltd.
DIMENSIONS: mm 	TOLERANCES UNLESS OTHERWISE SPECIFIED: 0 PLC ± 1 PLC ±0.20 2 PLC ±0.25 3 PLC ±0.30 4 PLC ± ANGLES ± FINISH -	NAME REC ASS'Y 9H TYPE WITH STEEL COVER (TUBE PACK) FOR FH 0.8mm PITCH B-T-B CONNECTOR SIZE A3 CAGE CODE 00779 DRAWING NO C-5179232	SCALE 1:1 SHEET 1 OF 1 REV 01