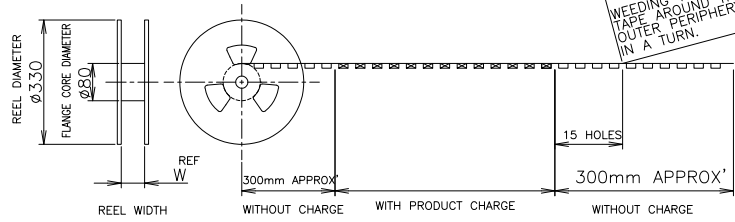
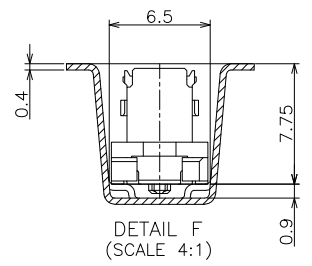
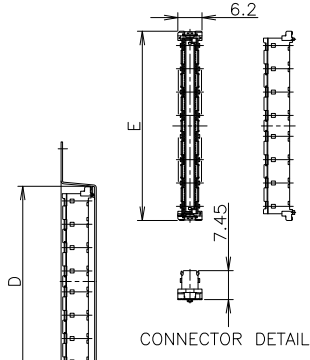
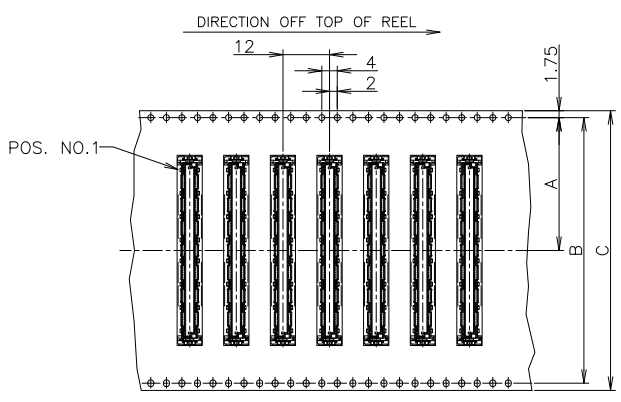


THIS DRAWING IS UNPUBLISHED. RELEASED FOR PUBLICATION JUN. 1996.
 COPYRIGHT 1996 BY TYCO ELECTRONICS CORPORATION. ALL RIGHTS RESERVED.

LOC	DIST	REVISIONS			
P	LTR	DESCRIPTION	DATE	DWN	APVD
A	REVISED	ECR-08-000339	01FEB08	T.T	T.F



WEEDING THE COVER TAPE AROUND THE OUTER PERIPHERY IN A TURN.

THIS PRODUCT WAS COATED BY FLUX-PENETRATION -INHIBITING AGENT.

TOOLING STATUS	QTY.	W	E	D	C	B	A	POS.	PART NO.
NOT AVAILABLE	600	77.5	54.7	55	72	68.4	34.2	160	6-5353187-1
AVAILABLE		77.5	48.7	49	72	68.4	34.2	140	6- - -0
NOT AVAILABLE		61.5	42.7	43	56	52.4	26.2	120	5- - -9
		61.5	36.7	37	56	52.4	26.2	100	5- - -8
		61.5	33.7	34	56	52.4	26.2	90	5- - -7
NOT AVAILABLE		49.5	30.7	31	44	40.4	20.2	80	5- - -6
AVAILABLE		49.5	27.7	28	44	40.4	20.2	70	5- - -5
NOT AVAILABLE		49.5	24.7	25	44	40.4	20.2	60	5- - -4
		37.5	21.7	22	32	28.4	14.2	50	5- - -3
		37.5	18.7	19	32	28.4	14.2	40	5- - -2
NOT AVAILABLE	600	29.5	15.7	16	24	11.5	30	5-5353187-1	
AVAILABLE	600	77.5	54.7	55	72	68.4	34.2	160	1-5353187-1
NOT AVAILABLE		61.5	42.7	43	56	52.4	26.2	120	1- - -9
		61.5	36.7	37	56	52.4	26.2	100	1- - -8
		61.5	33.7	34	56	52.4	26.2	90	1- - -7
		49.5	30.7	31	44	40.4	20.2	80	1- - -6
		49.5	27.7	28	44	40.4	20.2	70	1- - -5
		49.5	24.7	25	44	40.4	20.2	60	1- - -4
		37.5	21.7	22	32	28.4	14.2	50	1- - -3
		37.5	18.7	19	32	28.4	14.2	40	1- - -2
NOT AVAILABLE	600	29.5	15.7	16	24	11.5	30	5353187-1	

THIS DRAWING IS A CONTROLLED DOCUMENT.

DIMENSIONS: 單位: 毫米	TOLERANCES UNLESS OTHERWISE SPECIFIED: 公差	DWN HAWKING HE 20DEC04 CHK STEVEN YAO 20DEC04 APVD JENOMOTO 20DEC04		Tyco Electronics Tyco Electronics Corporation Kawasaki, Japan	
0 PLC ± 0.2 1 PLC ± 0.2 2 PLC ± 0.2 3 PLC ± 0.2 4 PLC ± 0.2 ANGLES ± 5°	FINISH 仕上	PRODUCT SPEC 製品規格 108-60047	NAME 名稱	EMBOSS ASSY FH 0.6BTB CONNECTOR PLUG 8H STD TYPE	
MATERIAL 材料		APPLICATION SPEC 取付適用規格 114-5255	SIZE A3	CAGE CODE 00779	DRAWING NO 5353187
CUSTOMER DRAWING			SCALE 尺度 1:1	SHEET 1 OF 2	REV A

