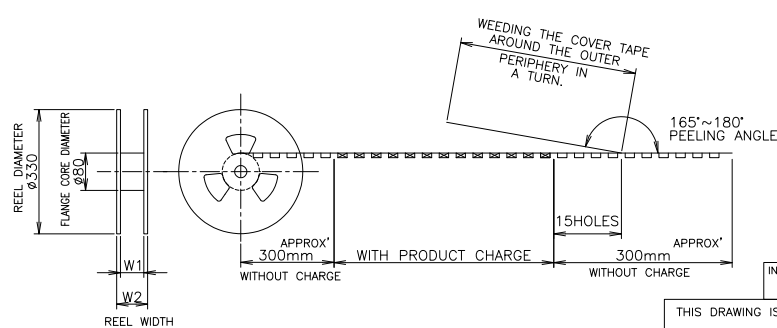
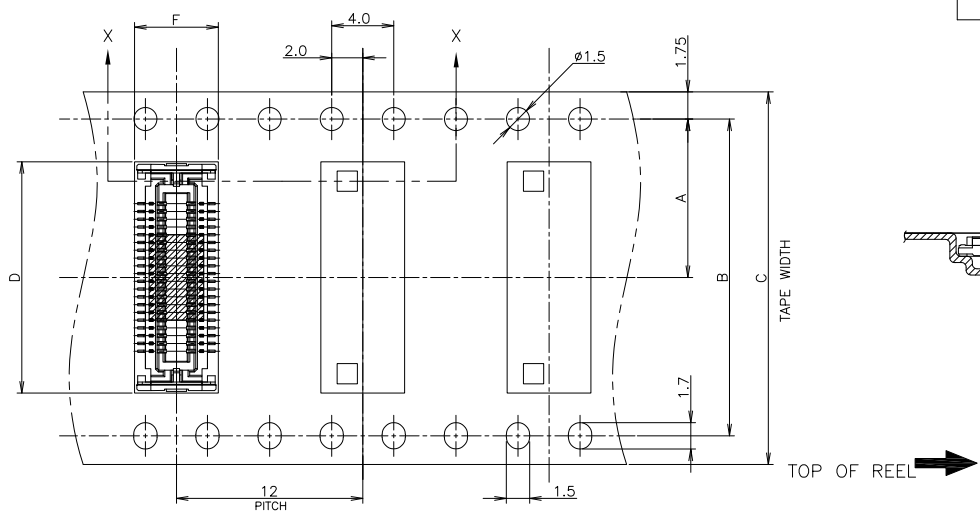


THIS DRAWING IS UNPUBLISHED. RELEASED FOR PUBLICATION JUN. 1996.
 © COPYRIGHT 1996 BY TYCO ELECTRONICS CORPORATION. ALL RIGHTS RESERVED.

LOC	DIST	REVISIONS					
J		P	LTR	DESCRIPTION	DATE	DWN	APVD
		C	REVISED	ECR-08-015052	13JUN08	T.T	T.F



48.7	45.5	5.4	0.4	24.9	44	40.4	20.2	1500	80	8-5353159-5
48.7	45.5	5.4	0.4	24.9	44	40.4	20.2	1500	80	8-5353159-0
48.7	45.5	5.4	0.4	22.4	44	40.4	20.2	1500	70	7-5353159-5
48.7	45.5	5.4	0.4	22.4	44	40.4	20.2	1500	70	7-5353159-0
37.5	33.5	5.34	0.4	19.85	32	28.4	14.2	1500	60	6-5353159-5
37.5	33.5	5.34	0.4	19.85	32	28.4	14.2	1500	60	6-5353159-0
29.5	25.5	5.34	0.4	17.35	24	11.5	11.5	1500	50	5-5353159-5
29.5	25.5	5.34	0.4	17.35	24	11.5	11.5	1500	50	5-5353159-0

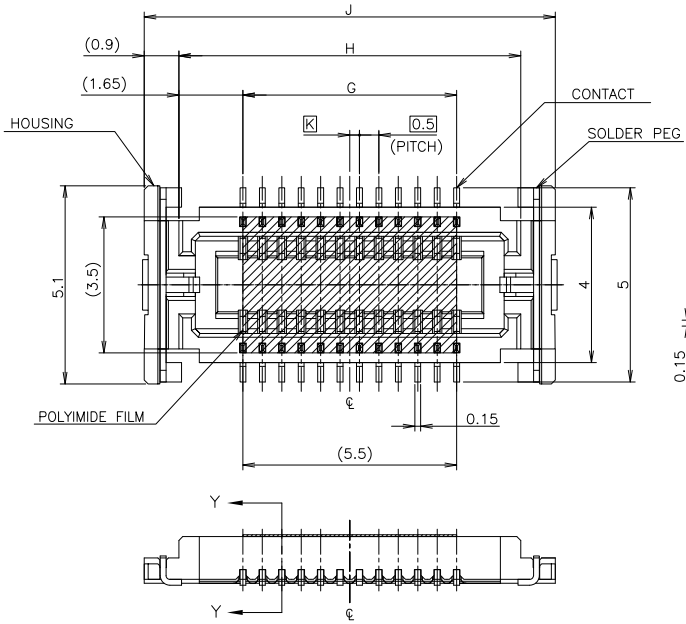
INSTRUCTION SHEET
411-5781

THIS DRAWING IS A CONTROLLED DOCUMENT.

DIMENSIONS: 單位: 毫米	TOLERANCES UNLESS OTHERWISE SPECIFIED: 一般公差	DWN J.ZHU	02NOV04	Tyco Electronics Tyco Electronics Corporation Kawasaki, Japan
0 PLC ± 0.2	1 PLC ± 0.2	CHK S.YAO	02NOV04	
2 PLC ± 0.2	3 PLC ± 0.2	APVD I.ENOMOTO	02NOV04	ON TAPING EMBOSS 0.5mm PITCH FS CONN. RECEPTACLE ASSEMBLY WITH FILM
4 PLC ± 0.2	ANGLES ± 0.3°	PRODUCT SPEC 製品規格 108-60048	NAME 名稱	
MATERIAL 材料	FINISH 仕上	APPLICATION SPEC 取付適用規格	SIZE A3	CAGE CODE 00779
CUSTOMER DRAWING			DRAWING NO 5353159	RESTRICTED TO
			SCALE 尺度 4:1	SHEET 1 of 2

THIS DRAWING IS UNPUBLISHED. RELEASED FOR PUBLICATION JUN. 1996.
 © COPYRIGHT 1996 BY TYCO ELECTRONICS CORPORATION. ALL RIGHTS RESERVED.

LOC		DIST		REVISIONS			
P	LTR	DESCRIPTION		DATE	DWN	APVD	
-		SEE SHEET 1		-	-	-	



△	0.25	24.6	22.8	19.5	80	8-5353159-5
	0.25	24.6	22.8	19.5	80	8-5353159-0
△	---	22.1	20.3	17	70	7-5353159-5
	---	22.1	20.3	17	70	7-5353159-0
△	0.25	19.6	17.8	14.5	60	6-5353159-5
	0.25	19.6	17.8	14.5	60	6-5353159-0
	---	17.1	15.3	12.0	50	5-5353159-5

1 MATING COUNTER PART NUMBER: 5353163
 △ MATERIAL
 HOUSING: HIGH HEAT-RESISTED
 CONTACT: COPPER ALLOY (t=0.15), Au-PLT
 SOLDER PEG: COPPER ALLOY (t=0.15), TIN-PLT
 △ CONTACT : CONTACT POINT Au PLT. 0.00076 MIN.

THIS DRAWING IS A CONTROLLED DOCUMENT.

DIMENSIONS: 単位: 純 mm	TOLERANCES UNLESS OTHERWISE SPECIFIED: 公差表
0 PLC	± 0.2
1 PLC	± 0.2
2 PLC	± 0.2
3 PLC	± 0.2
4 PLC	± 0.2
ANGLES	± 3°
MATERIAL 材料	FINISH 仕上

INSTRUCTION SHEET 411-5781		DIMENSION		POS.	PART NO.
DWN	CHK	Tyco Electronics Corporation Kawasaki, Japan			
APVD	NAME 名称	ON TAPING EMBOSS 0.5mm PITCH FS CONN. RECEPTACLE ASSEMBLY WITH FILM			
PRODUCT SPEC 製品規格	SIZE	CAGE CODE	DRAWING NO 番号	RESTRICTED TO	
APPLICATION SPEC 取付適用規格	A3	00779	C=5353159		
WEIGHT	CUSTOMER DRAWING		SCALE 尺度	SHEET 2 of 2	REV C
			10:1		