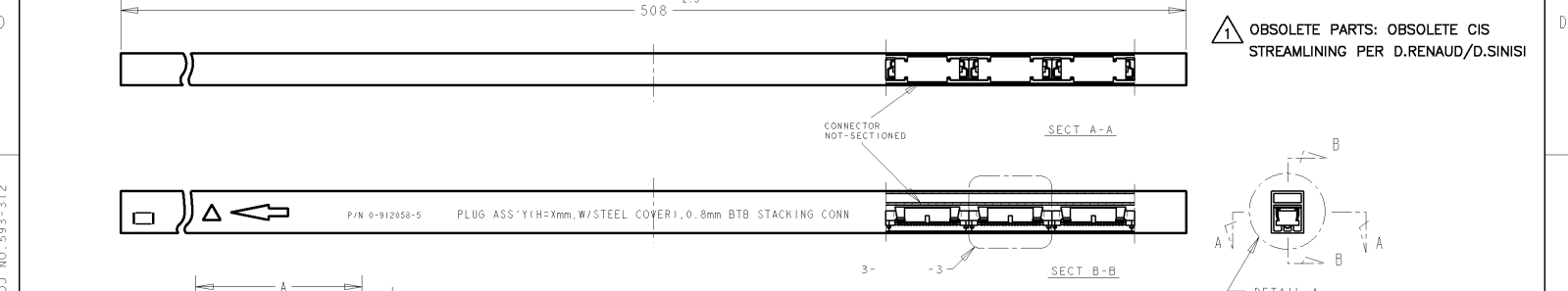
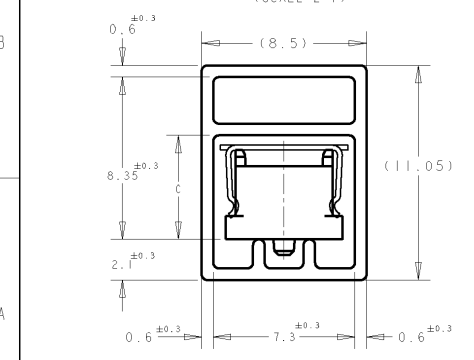
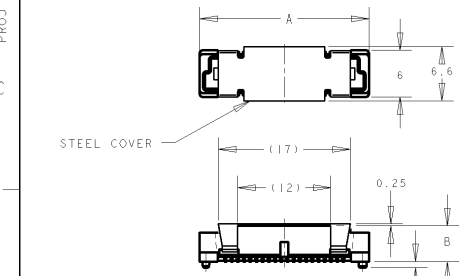


LOC	DIST	REVISONS					
BY	-	F	LTR	DESCRIPTION	DATE	OWN	APVD
		P		REVISED PER ECO-11-005139	19MAR11	RK	HMR



⚠ OBSOLETE PARTS: OBSOLETE CIS
STREAMLINING PER D.RENAUD/D.SINISI

P/N 0-912050-5 PLUG ASS'Y (FH 0.8mm, W/ STEEL COVER), 0.8mm BTB STACKING CONN



5					85.8	1-	-0	200	7-	-0	5					85.8	1-	-0	200	3-	-0		
6					77.8		-9	180	6-	-9	6					77.8		-9	180	2-	-9		
6					69.8		-8	160	⚠	←	6					69.8		-8	160	2-	-8		
7					61.8		-6	140	6-	-6	7					61.8		-6	140	⚠	←		
9					53.8		-5	120	6-	-5	9					53.8		-5	120	⚠	←		
10					45.8		-4	100	6-	-4	10					45.8		-4	100	2-	-4		
12					37.8		-3	80	⚠	←	12					37.8		-3	80	2-	-3		
16					29.8		-2	60	⚠	←	16					29.8		-2	60	⚠	←		
22	8H	8.35	7.6	21.8		5179031-1		40	⚠	←	22	6H	6.35	5.6	21.8		5179029-1		40	⚠	←		
5					85.8	1-	-0	200	5-	-0	5					85.8	1-	-0	200	1-	-0		
6					77.8		-9	180	4-	-9	6					77.8		-9	180		-9		
6					69.8		-8	160	⚠	←	6					69.8		-8	160	⚠	←		
7					61.8		-6	140	⚠	←	7					61.8		-6	140	⚠	←		
9					53.8		-5	120	4-	-5	9					53.8		-5	120		-5		
10					45.8		-4	100	⚠	←	10					45.8		-4	100		-4		
12					37.8		-3	80	⚠	←	12					37.8		-3	80		-3		
16					29.8		-2	60	⚠	←	16					29.8		-2	60	⚠	←		
22	7H	7.35	6.6	21.8		5179030-1		40	⚠	←	22	5H	5.35	4.6	21.8		517984-1		40	⚠	←		
QTY	HEIGHT TYPE	C	B	A	CONN P/N	POS.	PART NO.	QTY	HEIGHT TYPE	C	B	A	CONN P/N	POS.	PART NO.	QTY	HEIGHT TYPE	C	B	A	CONN P/N	POS.	PART NO.

DIMENSIONS: mm		TOLERANCES UNLESS OTHERWISE SPECIFIED:		DRAWN: FLORENCE TAN		CHKD: ERIC TING		APVD: SEIFONG		NAME: PLUG ASSY WITH STEEL COVER (TUBE PACK) FH 0.8mm PITCH B-T-B CONNECTOR	
0 PLC ±		1 PLC ±0.20		MATERIAL: -		FINISH: -		APPLICATION SPEC: -		SIZE: A3	
2 PLC ±0.25		3 PLC ±0.30		WEIGHT: -		CAGE CODE: 00779		DRAWING NO: C-5179230		SCALE: 1:1	
4 PLC ±		ANGLES: ±		CUSTOMER DRAWING		SHEET: 1		OF: 1		REV: P	

AMP 1470-19 REV 09M194