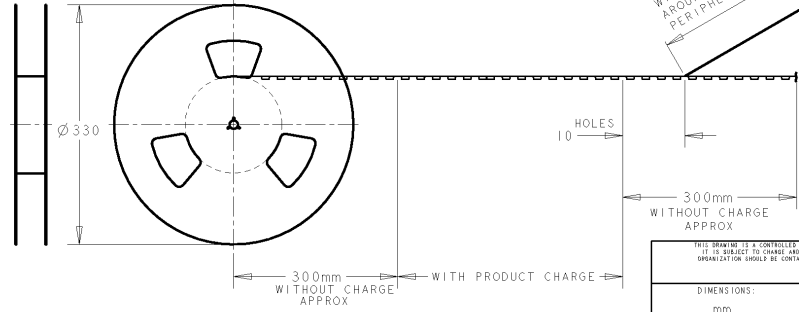
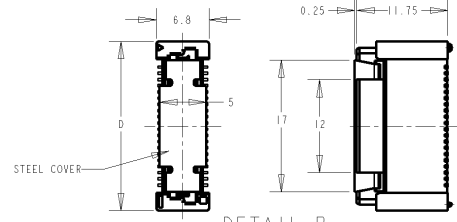
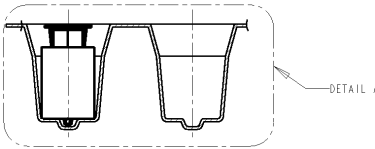
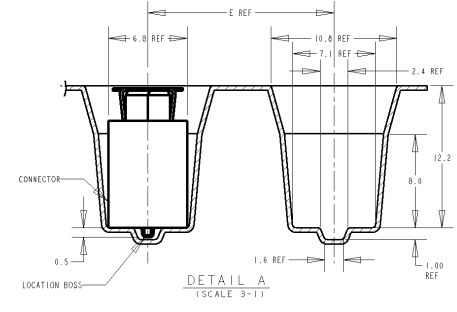
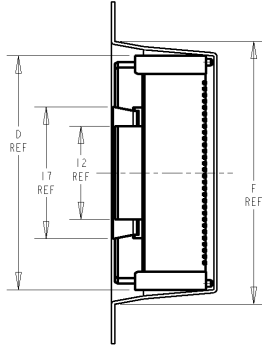
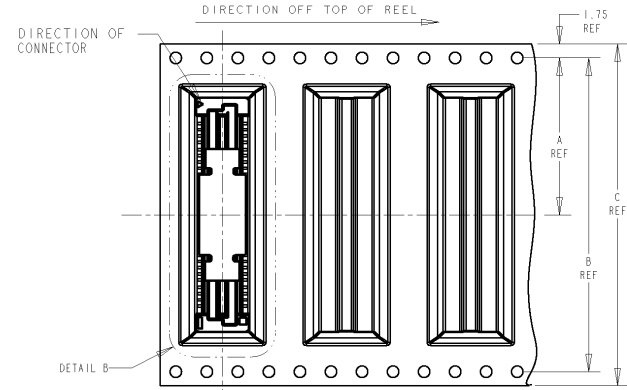


THIS DRAWING IS UNPUBLISHED. RELEASED FOR PUBLICATION . . . 19 . . .
 BY AMP INCORPORATED. ALL RIGHTS RESERVED.

LOC	DIST	REVISIONS					
DY	-	F	LTR	DESCRIPTION	DATE	OWN	APVD
		0	NPR	FP00-0227-04	16SEP04	FTAN	LSF



WINDING THE COVER TAPE AROUND THE OUTER PERIPHERY IN A TURN.

AVAILABLE	QTY	F	E	D	C	B	A	CONNECTOR P/N	POS	PART NO.
200	81.8	16	77.8	104	100.4	50.2	5	5-6123212-9	180	0-5084618-9
200	73.8	16	69.8	88	84.4	42.2	5	5-6123212-8	160	0-5084618-8
200	65.8	16	61.8	88	84.4	42.2	5	5-6123212-6	140	0-5084618-6
200	57.8	16	53.8	72	68.4	34.2	5	5-6123212-5	120	0-5084618-5
200	49.8	16	45.8	72	68.4	34.2	5	5-6123212-4	100	0-5084618-4
200	41.8	16	37.8	56	52.4	26.2	5	5-6123212-3	80	0-5084618-3
200	33.8	16	29.8	44	40.4	20.2	5	5-6123212-2	60	0-5084618-2
200	25.8	16	21.8	44	40.4	20.2	5	5-6123212-1	40	0-5084618-1

<small>THIS DRAWING IS A CONTROLLED DOCUMENT FOR AMP INCORPORATED IT IS SUBJECT TO CHANGE AND THE ORIGINAL DRAWING OR ORGANIZATION SHOULD BE CONTACTED FOR THE LATEST REVISION.</small>	
DIMENSIONS:	TOLERANCES UNLESS OTHERWISE SPECIFIED:
mm	
	0 PLC ±
	1 PLC ±0.20
	2 PLC ±0.25
	3 PLC ±
	4 PLC ±
ANGLES	±
MATERIAL	FINISH

OWN FLORENCE TAN	16SEP04	tyco Tyco Electronics (Singapore) Pte. Ltd.
CHK ERIC TNG		
APVD SE LEOH		NAME RECEPTACLE ASS'Y 13H TYPE 30Au (0.5 BOSS LENGTH) FOR FH 0.8mm B-T-B CONN. ON TAPING
PRODUCT SPEC 108-5390		SIZE A3
APPLICATION SPEC 114-5254		CAGE CODE 00779
WEIGHT		DRAWING NO 5084618
CUSTOMER DRAWING		SCALE 2:1 SHEET 1 OF 1 REV 0

AMP 1470-19 REV 09MAY94