

4

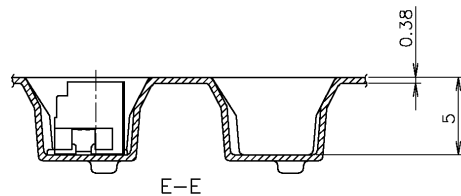
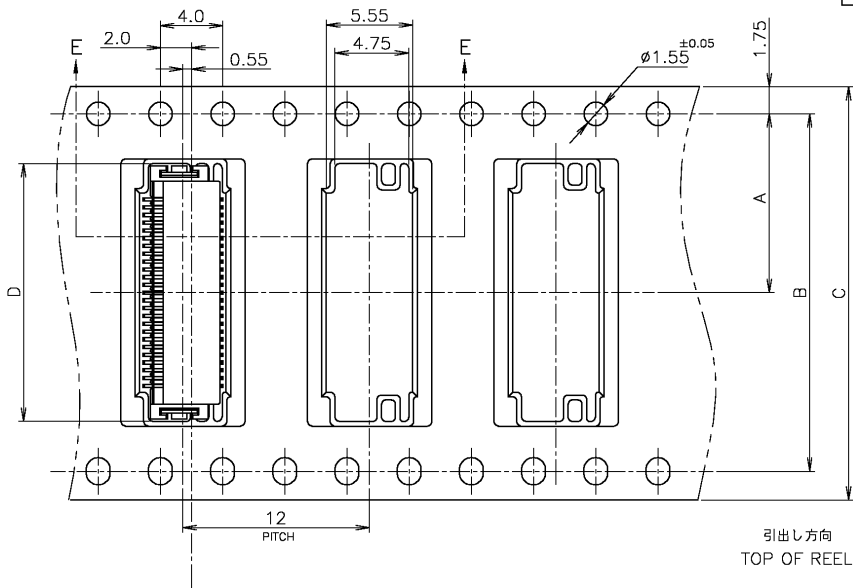
3

2

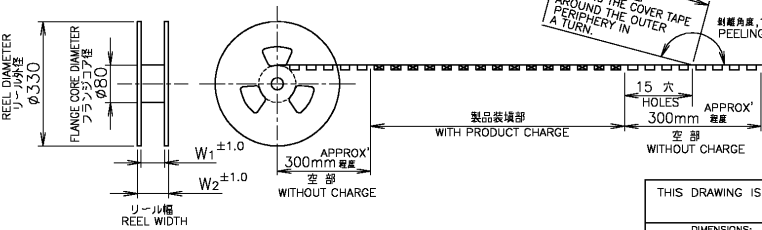
1

THIS DRAWING IS UNPUBLISHED. RELEASED FOR PUBLICATION APR. 1997.  
 © COPYRIGHT 2004 BY TYCO ELECTRONICS CORPORATION. ALL RIGHTS RESERVED.

LOC	DIST	REVISIONS					
J		P	LTR	DESCRIPTION	DATE	DWN	APVD
		0		RELEASED	FJB0-0396-04	23APR04	Y.N H.M



引出し方向  
TOP OF REEL →



カバーテープリーダー部  
外周一巻  
WEEDING THE COVER TAPE  
AROUND THE OUTER  
PERIPHERY IN  
A TURN. 剥離角度: 165°~180°  
PEELING ANGLE.

鉛フリー  
LEAD FREE

THIS DRAWING IS A CONTROLLED DOCUMENT.

DIMENSIONS: 単位: 概 MM	TOLERANCES UNLESS OTHERWISE SPECIFIED: 数公差
	0 PLC ± 0.3
	1 PLC ± 0.3
	2 PLC ± 0.3
	3 PLC ± 0.3
	4 PLC ± 0.3
	ANGLES ± 3°
MATERIAL 材料	FINISH 仕上

INSTRUCTION SHEET 取扱説明書 411-5808	WIRE RANGE 包合電線断面積 -	INSULATION DIA 絶縁外径 -
DWN Y. NAKAZAWA 23APR04	Tyco Electronics AMP K.K. Kawasaki, Japan	
CHK T. KUSUHARA 23APR04	Tyco Electronics	
APVD H. MURAMATSU 23APR04	NAME 名称	
PRODUCT SPEC 製品規格 108-5496	ON TAPING (EMBOSS) 0.5mm PITCH FINE MATE CONN. TAB ASSEMBLY (H-TYPE)	
APPLICATION SPEC 取付適用規格	SIZE A3	CAGE CODE 00779
WEIGHT	DRAWING NO. 番号 C=1747025	RESTRICTED 制限
CUSTOMER DRAWING	SCALE 尺度 4:1	SHEET 1 of 2 REV 0

AMP 1470-19 REV 31MAR2000

21APR03 B:38am FJOT1096

4

3

2

1

THIS DRAWING IS UNPUBLISHED. RELEASED FOR PUBLICATION APR. 1997.  
 © COPYRIGHT 2004 BY TYCO ELECTRONICS CORPORATION. ALL RIGHTS RESERVED.

LOC	DIST	REVISIONS 変更				
P	LTR	DESCRIPTION	DATE	DWN	APVD	
-	-	SEE SHEET 1	-	-	-	

鉛フリー  
LEAD FREE

WITH BOSS		WITHOUT BOSS								
W2	W1	E	D	C	B	A	QTY/REEL	POS	CONNECTOR P/N	TAPING P/N
36.7	33.5	0.4	22.2	32	28.4	14.2	1000	70	5-1747023-4	5-1747022-4
49.5	45.5	0.38	24.7	40	40.4	20.2	1000	80	5-1747023-3	5-1747022-3
20.2	17.5	0.38	9.1	16	-/-	7.5	1000	20	1747026-9	1747025-9
29.5	25.5	0.38	16.6	24	-/-	11.5	1000	50	1747026-6	1747025-6
37.5	33.5	0.38	19.1	32	28.4	14.2	1000	60	1747026-5	1747025-5
37.5	33.5	0.38	21.6	32	28.4	14.2	1000	70	1747026-4	1747025-4
49.5	45.5	0.4	24.1	44	40.4	20.2	1000	80	1747023-3	1747025-3
49.5	45.5	0.38	29.1	40	40.4	20.2	1000	100	1747026-1	1747025-1

INSTRUCTION SHEET 取扱説明書	411-5808	WIRE RANGE 総合電線断面積	INSULATION DIA 絶縁外径
----------------------------	----------	-----------------------	------------------------

THIS DRAWING IS A CONTROLLED DOCUMENT.

DIMENSIONS: 単位: 概 MM	TOLERANCES UNLESS OTHERWISE SPECIFIED: 一般公差	DWN	CHK	APVD	NAME 名称			
0 PLC ± 0.3 1 PLC ± 0.3 2 PLC ± 0.3 3 PLC ± 0.3 4 PLC ± 0.3 ANGLES ± 3'					Tyco Electronics AMP K.K. Kawasaki, Japan			
MATERIAL 材料	FINISH 仕上	PRODUCT SPEC 製品規格	APPLICATION SPEC 取付適用規格	SIZE	CAGE CODE	DRAWING NO 番号	RESTRICTED	
		108-5496		A3	00779	1747025		
CUSTOMER DRAWING				SCALE 尺度	4:1	SHEET 2	OF 2	REV 0

AMP 1470-19 REV 31MAR2000

21APRO3 8:38am FJOT1096