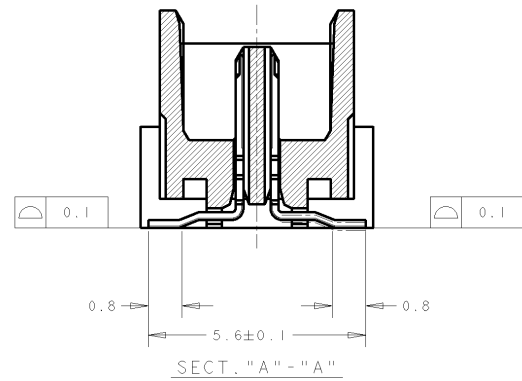
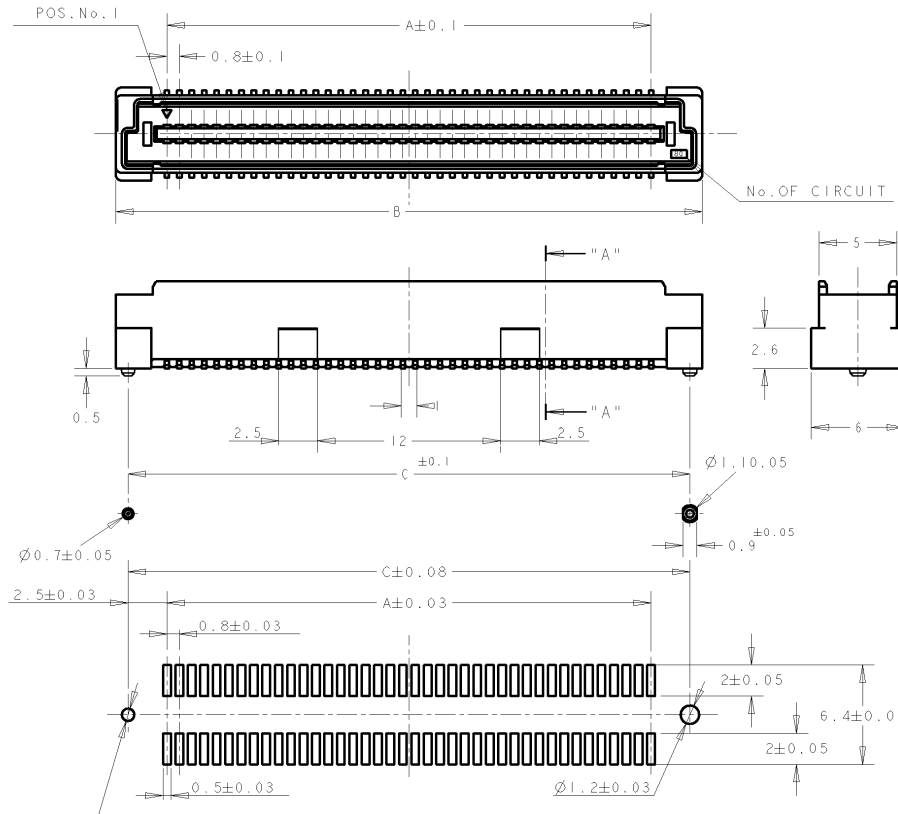


THIS DRAWING IS UNPUBLISHED. RELEASED FOR PUBLICATION .19
 COPYRIGHT 19 BY AMP INCORPORATED. ALL RIGHTS RESERVED.

LOC		DIST		REVISIONS			
F	LTR	DESCRIPTION	DATE	OWN	APVD		
	K	REVISED ECR-05-010514	07SEP05	SYJ	LSF		



- NOTES:
- 1. MATERIAL; HOUSING: L.C.P. (HIGH TEMP THERMO PLASTIC)
UL 94V-0, NATURAL.
CONTACT: BRASS.
 - 2. FINISH: CONTACT AREA: 0.0002 MIN GOLD ON
0.0013 MIN ALL OVER NICKEL.
SOLDERING AREA: 0.001 MIN TIN-LEAD.
 - 3. POSITION SERIES; SEE TABLE.
 - 4. CONN STACK HEIGHT COMBINE OF PLUG "Y" H VS REC "X" H.
STACK HEIGHT = Y + X - 5

P/N SEE SHEET 2 OF 2.

RECOMMENDED P.C. BOARD LAYOUT

<small>THIS DRAWING IS A CONTROLLED DOCUMENT FOR AMP INCORPORATED IT IS SUBJECT TO CHANGE AND THE ORIGINAL DRAWING OR ORGANIZATION SHOULD BE CONTACTED FOR THE LATEST REVISION.</small>		DWN T. KUSUHARA 30MAR93 CHK I. ENOMOTO 30MAR93 APVD ERIC TING PRODUCT SPEC APPLICATION SPEC WEIGHT CUSTOMER DRAWING	AMP MANUFACTURING (SINGAPORE) PTE. LTD. NAME PLUG ASSEMBLY 6H TYPE (0.5 BOSS LENGTH) FOR FH 0.8mm PITCH B-T-B CONNECTOR SIZE A3 CAGE CODE 00779 DRAWING NO 179029
DIMENSIONS: mm 	TOLERANCES UNLESS OTHERWISE SPECIFIED: 0 PLC ± 1 PLC ±0.20 2 PLC ±0.25 3 PLC ±0.30 4 PLC ± ANGLES ±°	MATERIAL 	FINISH
AMP 1470-19 REV 09MAT94 Proj/ENGINEER DRAWING		SCALE 4:1 SHEET 1 OF 2 REV K	

4

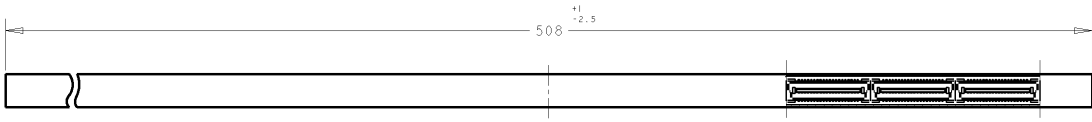
3

2

1

THIS DRAWING IS UNPUBLISHED. RELEASED FOR PUBLICATION .19 .
 COPYRIGHT 19 BY AMP INCORPORATED. ALL RIGHTS RESERVED.

LOC	DIST	REVISIONS			
F	LTR	DESCRIPTION	DATE	OWN	APVD
DY	-	- SEE SHEET 1 OF 2	-	-	-

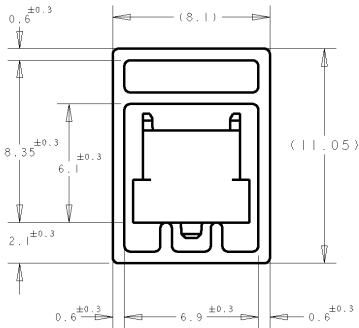
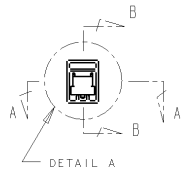


SECT A-A



REFERENCE PICTURE OF TUBE PACK

SECT B-B



DETAIL "B"
(SCALE 5-1)

5	84.2	85.8	79.2	200	I-	-0
6	76.2	77.8	71.2	180		-9
6	68.2	69.8	63.2	160		-8
7	60.2	61.8	55.2	140		-6
9	52.2	53.8	47.2	120		-5
10	44.2	45.8	39.2	100		-4
12	36.2	37.8	31.2	80		-3
16	28.2	29.8	23.2	60		-2
22	20.2	21.8	15.2	40		179029-1
QTY/ TUBE	C	B	A	POS.	CONN	P/N

<small>THIS DRAWING IS A CONTROLLED DOCUMENT FOR AMP INCORPORATED IT IS SUBJECT TO CHANGE AND THE ORIGINAL DRAWING OR ORGANIZATION SHOULD BE CONTACTED FOR THE LATEST REVISION.</small>		DWN T. KUSUHARA 30MAR93 CHK I. ENOMOTO 30MAR93 APVD ERIC TING PRODUCT SPEC APPLICATION SPEC WEIGHT CUSTOMER DRAWING	AMP AMP MANUFACTURING (SINGAPORE) PTE. LTD. NAME PLUG ASSEMBLY 6H TYPE (0.5 BOSS LENGTH) FOR FH 0.8mm PITCH B-T-B CONNECTOR SIZE A3 CAGE CODE 00779 DRAWING NO. C-179029
DIMENSIONS: mm 	TOLERANCES UNLESS OTHERWISE SPECIFIED: 0 PLC ± 1 PLC ±0.20 2 PLC ±0.25 3 PLC ±0.30 4 PLC ± ANGLES ±° FINISH	MATERIAL 	DRAWING NO. C-179029 SCALE - SHEET 2 OF 2 REV K