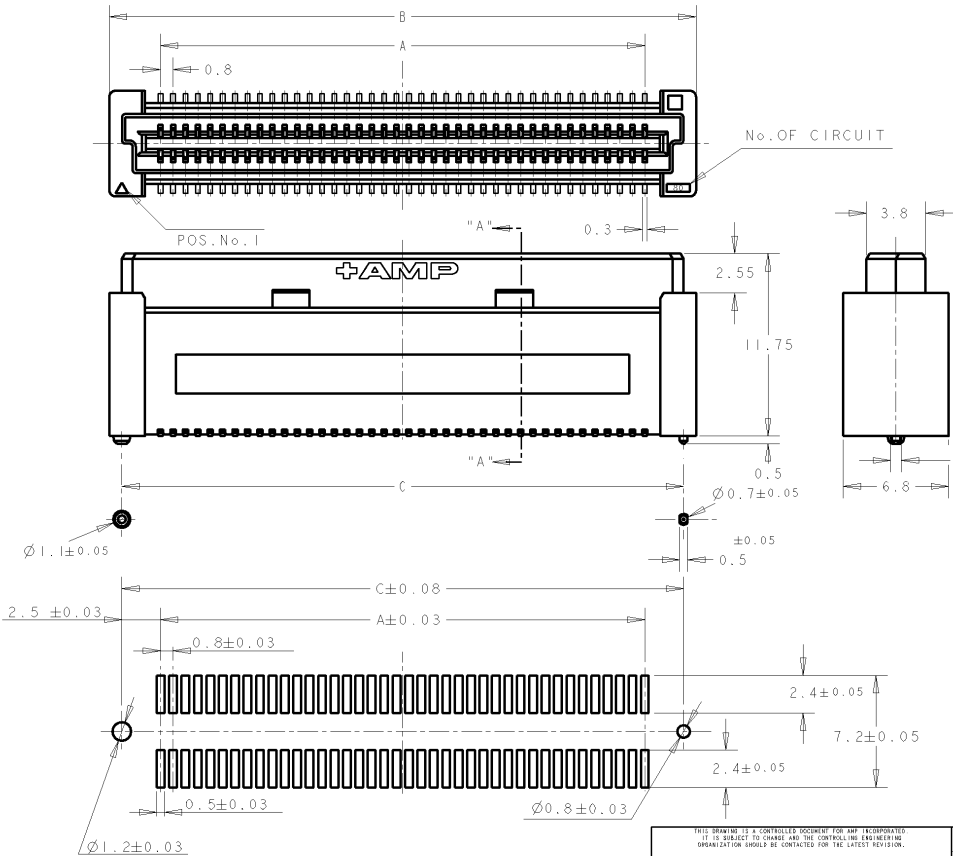
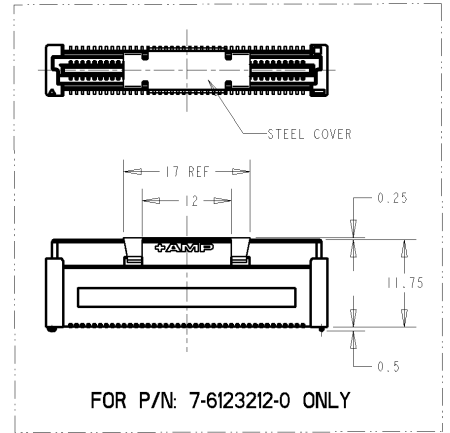


THIS DRAWING IS UNPUBLISHED. RELEASED FOR PUBLICATION .19  
 COPYRIGHT 19 BY AMP INCORPORATED. ALL RIGHTS RESERVED.

LOC	DIST	REVISIONS			
F	LTR	DESCRIPTION	DATE	OWN	APVD
01		REVISED PER ECR-06-029208	14DEC06	SYJ	LSF



- NOTES:
- 1. MATERIAL: HOUSING: L.C.P. (HIGH TEMP. THERMOPLASTIC)  
UL 94V-0, NATURAL.  
CONTACT: BERYLIUM COPPER.
  - 2. FINISH: CONTACT AREA: 0.00076 MIN GOLD ON  
0.0013 MIN ALL OVER NICKEL.  
SOLDERING AREA: 0.002 MIN MATTE-TIN
  - 3. POSITION SERIES: SEE TABLE. (SHEET 2)
  - 4. CONN STACK HEIGHT COMBINE OF PLUG "Y" H VS REC "X" H.  
STACK HEIGHT = Y + X - 5
  - 5. FOR STEEL COVER PICK AND PLACE VERSION,  
DESCRIPTION PRINTING ON TUBE IS:  
"REC ASS'Y (H=13mm), W/ STEEL COVER,  
0.8mm BTB STACKING CONN"



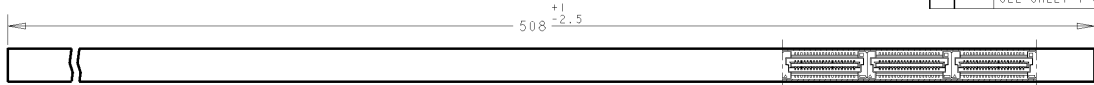
P/N SEE SHEET 2 OF 2

RECOMMENDED P.C. BOARD LAYOUT

<small>THIS DRAWING IS A CONTROLLED DOCUMENT FOR AMP INCORPORATED                  IT IS SUBJECT TO CHANGE AND THE CONTROLLING ENGINEERING                  ORGANIZATION SHOULD BE CONTACTED FOR THE LATEST REVISION.</small>		DWN 23AUG04 FLORENCE TAN CHK ERIC TNG APVD SEIFONG NAME PRODUCT SPEC 108-5390 APPLICATION SPEC 114-5254 WEIGHT - CUSTOMER DRAWING	<b>tyco</b> <b>Electronics</b> Tyco Electronics (Singapore) Pte. Ltd.
DIMENSIONS: mm 	TOLERANCES UNLESS OTHERWISE SPECIFIED: 0 PLC $\pm$ 1 PLC $\pm 0.30$ 2 PLC $\pm 0.25$ 3 PLC $\pm 0.20$ 4 PLC $\pm$ ANGLES $\pm$ FINISH	SIZE A3 CAGE CODE 00779 DRAWING NO. C-6123212 SCALE 4:1 SHEET 1 OF 2 REV 01	REC ASSY FOR FH 0.8 B-T-B CONNECTOR 13H 0.5 BOSS LENGTH (0.76um GOLD)

AMP 1470-19 REV 09MAY94

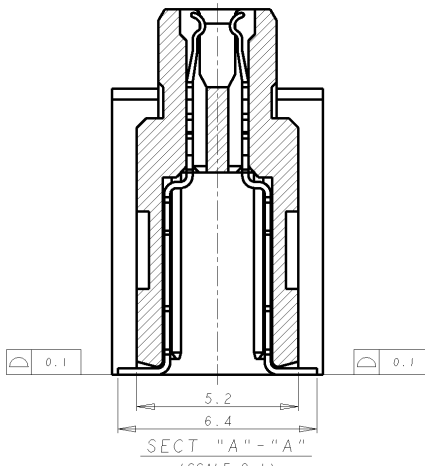
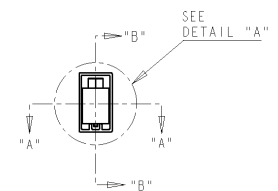
Proj/ENGINEER DRAWING



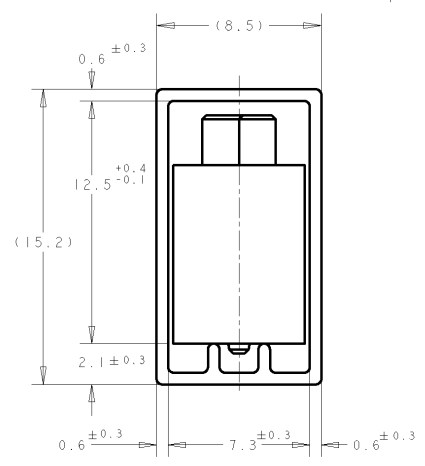
REFERENCE PICTURE OF TUBE PACK (WITHOUT STEEL COVER VERSION)



REC ASSY (FH=13mm), 0.8mm BTB STACKING CONN

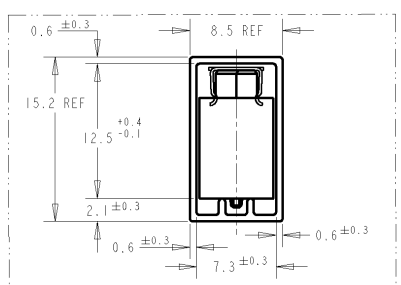


SECT "A" - "A" (SCALE: 8-1)



DETAIL "A" (SCALE 5-1)

WITH STEEL COVER	84.20	85.80	79.20	200	7-	-0
	84.20	85.80	79.20	200	6-	-0
	76.20	77.80	71.20	180	5-	-9
	68.20	69.80	63.20	160	5-	-8
	60.20	61.80	55.20	140	5-	-6
WITHOUT STEEL COVER	52.20	53.80	47.20	120	5-	-5
	44.20	45.80	39.20	100	5-	-4
	36.20	37.80	31.20	80	5-	-3
	28.20	29.80	23.20	60	5-	-2
	20.20	21.80	15.20	40	5-	123212-1
REMARKS	STATUS	C	B	A	POS.	PART No.



FOR P/N: 7-6123212-0 ONLY

<small>THIS DRAWING IS A CONTROLLED DOCUMENT FOR AMP INCORPORATED. IT IS SUBJECT TO CHANGE AND THE ORIGINAL DRAWING OR ORGANIZATION SHOULD BE CONTACTED FOR THE LATEST REVISION.</small>		DWN 16SEP04 FLORENCE TAN CHK ERIC TNG APVD SF LEONG NAME PRODUCT SPEC 108-5390 APPLICATION SPEC 114-5254 WEIGHT - CUSTOMER DRAWING	<b>tyco</b> Electronics Tyco Electronics (Singapore) Pte. Ltd.
DIMENSIONS: mm TOLERANCES UNLESS OTHERWISE SPECIFIED: 0 PLC ± 1 PLC ±0.30 2 PLC ±0.25 3 PLC ±0.20 4 PLC ± ANGLES 45° MATERIAL 1 FINISH 2	REC ASSY FOR FH 0.8 B-T-B CONNECTOR 13H 0.5 BOSS LENGTH (0.76um GOLD)		SIZE A3 CAGE CODE 00779 DRAWING NO. 6123212 SCALE 4:1 SHEET 2 OF 2 REV 01