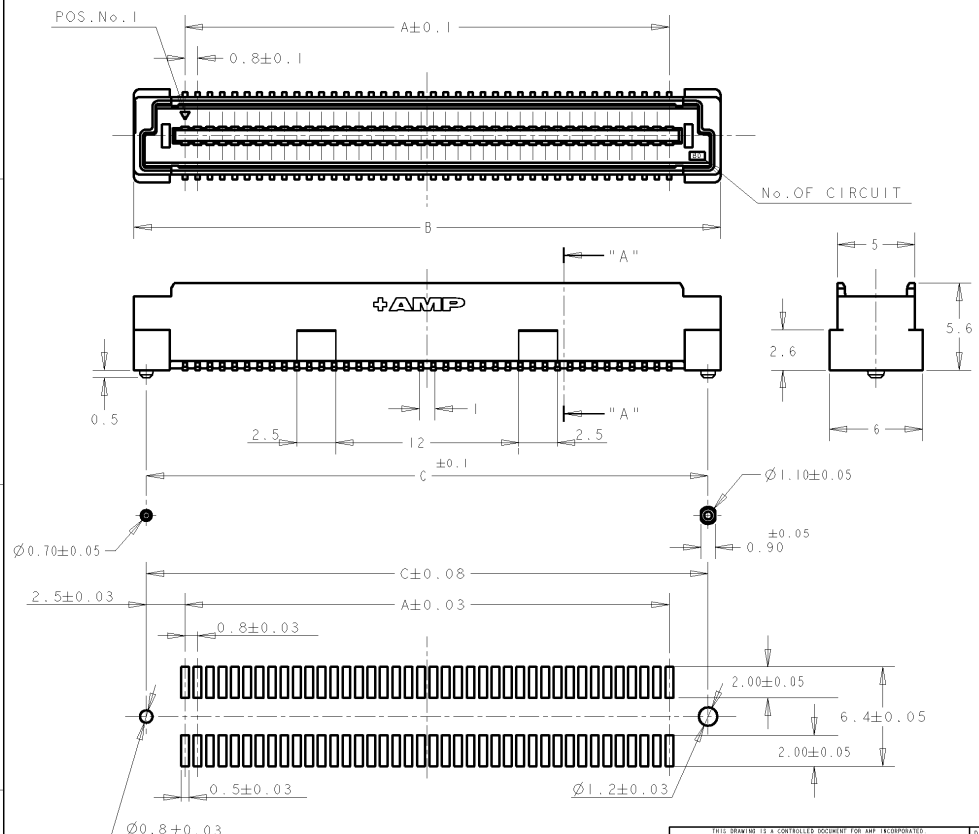
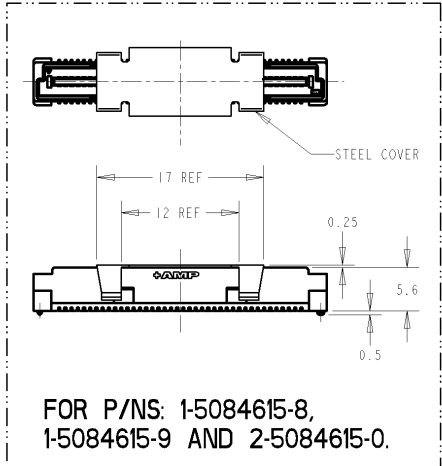


THIS DRAWING IS UNPUBLISHED. RELEASED FOR PUBLICATION . . . . .  
 COPYRIGHT 19 BY AMP INCORPORATED. ALL RIGHTS RESERVED.

LOC	DIST	REVISIONS			
F	LTR	DESCRIPTION	DATE	OWN	APVD
A1		REVISED PER ECR-06-029208	14DEC06	SYJ	LSF



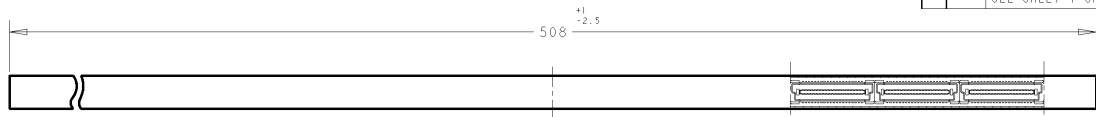
- NOTES:
- MATERIAL: HOUSING: L.C.P. (HIGH TEMP THERMO PLASTIC)  
UL 94V-0, NATURAL.  
CONTACT: BRASS.
  - FINISH: CONTACT AREA: 0.00076 MIN GOLD ON  
0.0013 MIN ALL OVER NICKEL.  
SOLDERING AREA: 0.002 MIN MATTE TIN.
  - POSITION SERIES; SEE TABLE. (SHEET 2)
  - CONN STACK HEIGHT COMBINE OF PLUG "Y" H VS REC "X" H.  
STACK HEIGHT = Y + X - 5
  - FOR STEEL COVER PICK AND PLACE VERSION,  
DESCRIPTION PRINTING ON TUBE IS:  
"PLUG ASS'Y (H=6mm), W/ STEEL COVER,  
0.8mm BTB STACKING CONN"



RECOMMENDED P.C. BOARD LAYOUT

<small>THIS DRAWING IS A CONTROLLED DOCUMENT FOR AMP INCORPORATED                  IT IS SUBJECT TO CHANGE AND THE CONTROLING ENGINEERING                  ORGANIZATION SHOULD BE CONTACTED FOR THE LATEST REVISION.</small>		DWN 23AUG04 FLORENCE TAN CHK ERIC TNG APVD SF LEONG PRODUCT SPEC 108-5390 APPLICATION SPEC 114-5254 WEIGHT - CUSTOMER DRAWING	NAME PLUG ASSEMBLY 6H TYPE 30Au (0.5 BOSS LENGTH) FOR FH 0.8mm PITCH B-T-B CONNECTOR SIZE A3 CAGE CODE 00779 DRAWING NO C-5084615 SCALE 4:1 SHEET 1 of 2 REV A1
DIMENSIONS: mm 	TOLERANCES UNLESS OTHERWISE SPECIFIED: 0 PLC ± 1 PLC ±0.30 2 PLC ±0.25 3 PLC ±0.20 4 PLC ± ANGLES ±° FINISH 	TYCO Electronics TYCO ELECTRONICS (SINGAPORE) PTE. LTD.	P/N SEE SHEET 2 OF 2.

AMP 1470-19 REV 09MAY94  
 Proj/ENGINEER DRAWING



REFERENCE PICTURE OF TUBE PACK (WITHOUT STEEL COVER VERSION)

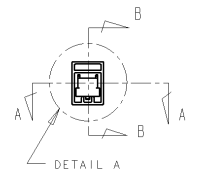


REFERENCE PICTURE OF TUBE PACK

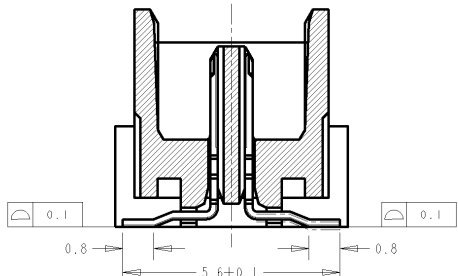
PLUG ASS'Y (H=6mm), 0.8mm BTB STACKING CONN

SECT A-A

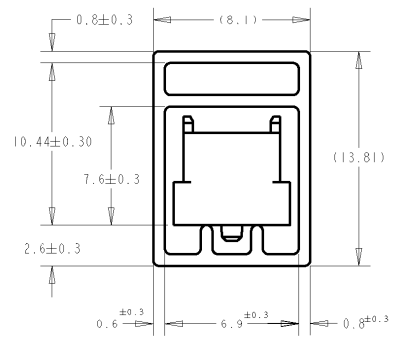
SECT B-B



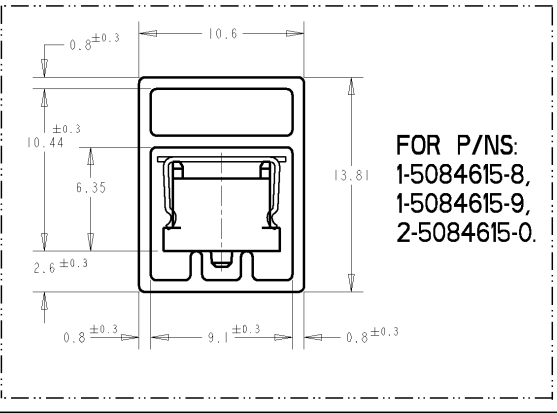
DETAIL A



SECT. "A" - "A"



DETAIL "B" (SCALE 5-1)



FOR P/NS:  
 1-5084615-8,  
 1-5084615-9,  
 2-5084615-0.

WITH STEEL COVER	5	84.2	85.8	79.2	200	2-	-0	
	6	76.2	77.8	71.2	180	1-	-9	
	6	68.2	69.8	63.2	160	1-	-8	
	5	84.2	85.8	79.2	200	1-	-0	
	6	76.2	77.8	71.2	180		-9	
	6	68.2	69.8	63.2	160		-8	
	7	60.2	61.8	55.2	140		-6	
	9	52.2	53.8	47.2	120		-5	
	10	44.2	45.8	39.2	100		-4	
	12	36.2	37.8	31.2	80		-3	
	16	28.2	29.8	23.2	60		-2	
	22	20.2	21.8	15.2	40	5084615-1		
	REMARKS	STATUS	QTY/TUBE	C	B	A	POS.	CONN P/N
		AVAILABLE						

<small>THIS DRAWING IS A CONTROLLED DOCUMENT FOR AMP INCORPORATED                  IT IS SUBJECT TO CHANGE AND THE CONTROLING ENGINEERING                  ORGANIZATION SHOULD BE CONTACTED FOR THE LATEST REVISION.</small>		DWN 24AUG04 FLORENCE TAN CHK ERIC TNG APVD SEI LEONG	<b>tyco</b> Electronics TYCO ELECTRONICS (SINGAPORE) PTE. LTD.
DIMENSIONS: mm 	TOLERANCES UNLESS OTHERWISE SPECIFIED: 0 PLC ± 1 PLC ±0.2 2 PLC ±0.25 3 PLC ±0.3 4 PLC ± ANGLES ±°	NAME PLUG ASSEMBLY 6H TYPE 30Au (0.5 BOSS LENGTH) FOR FH 0.8mm PITCH B-T-B CONNECTOR	
MATERIAL 	FINISH 	APPLICATION SPEC 108-5390 WEIGHT 114-5254	SIZE A3 CAGE CODE 00779 DRAWING NO. C-5084615
CUSTOMER DRAWING		SCALE 4:1	SHEET 2 OF 2 REV A1