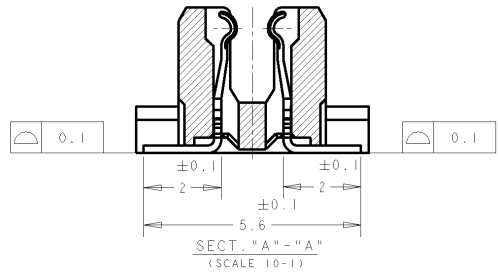
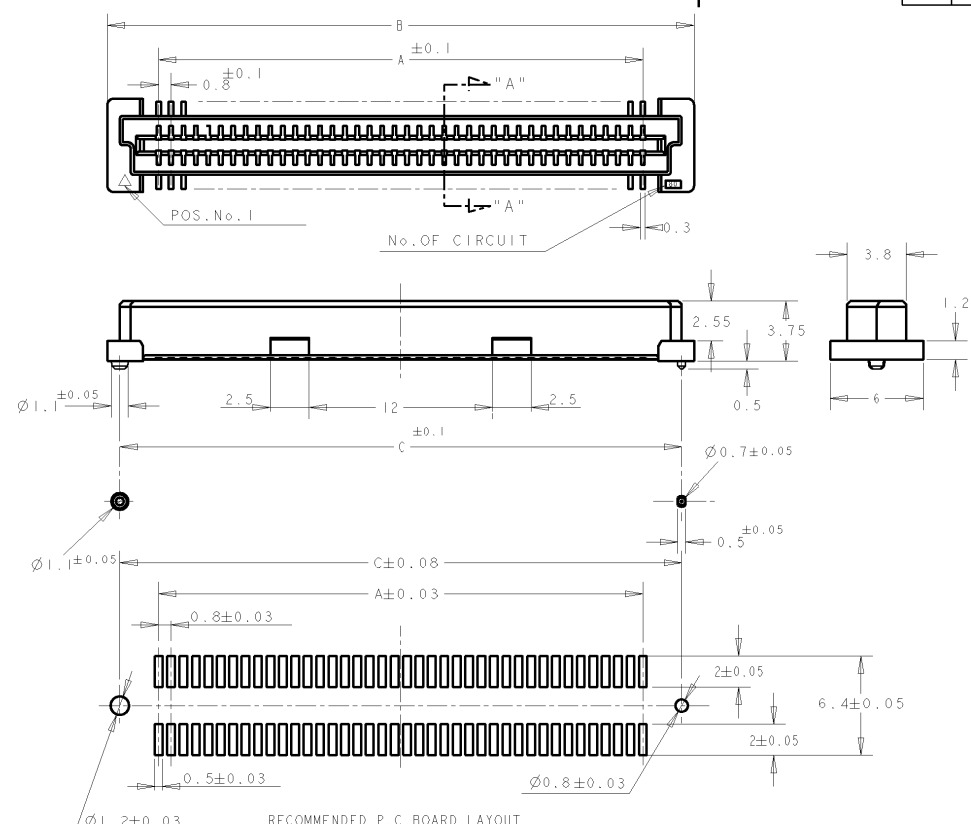


THIS DRAWING IS UNPUBLISHED. RELEASED FOR PUBLICATION . . . . .  
 COPYRIGHT 19 BY AMP INCORPORATED. ALL RIGHTS RESERVED.

LOC	DIST	REVISIONS			
F	LTR	DESCRIPTION	DATE	OWN	APVD
A1		REVISED PER ECR-06-029208	14DEC06	SYJ	LSF



- NOTES:
- △ MATERIAL: HOUSING: L.C.P. (HIGH TEMP. THERMOPLASTIC)  
 UL 94V-0, NATURAL.  
 CONTACT: BERYLLIUM COPPER.
  - △ FINISH: CONTACT AREA: 0.00076 MIN GOLD ON  
 0.0013 MIN ALL-OVER NICKEL.  
 SOLDERING AREA: 0.002 MIN MATTE-TIN.
  - 3. POSITION SERIES: SEE TABLE.
  - 4. CONN STACK HEIGHT COMBINE OF PLUG "Y" H VS REC "X" H.  
 STACK HEIGHT = Y + X - 5

P/N SEE SHEET 2 OF 2

<small>THIS DRAWING IS A CONTROLLED DOCUMENT FOR AMP INCORPORATED                  IT IS SUBJECT TO CHANGE AND THE ORIGINAL DRAWING OR                  ORGANIZATION SHOULD BE CONTACTED FOR THE LATEST REVISION.</small>		DWN 16SEP04 FLORENCE TAN CHK ERIC TNG APVD SEIFONG NAME PRODUCT SPEC 108-5390 APPLICATION SPEC 114-5254 WEIGHT CUSTOMER DRAWING	Tyco Electronics (Singapore) Pte. Ltd. REC ASSY FOR FH 0.8BTB CONNECTOR 5H 0.5 BOSS LENGTH (0.76um GOLD) DRAWING NO. C-6123000 SCALE 4:1 SHEET 1 OF 2 REV A1
DIMENSIONS: mm 	TOLERANCES UNLESS OTHERWISE SPECIFIED: 0 PLC ± 1 PLC ±0.30 2 PLC ±0.25 3 PLC ±0.20 4 PLC ± ANGLES ±° FINISH	SIZE A3 CAGE CODE 00779	

4

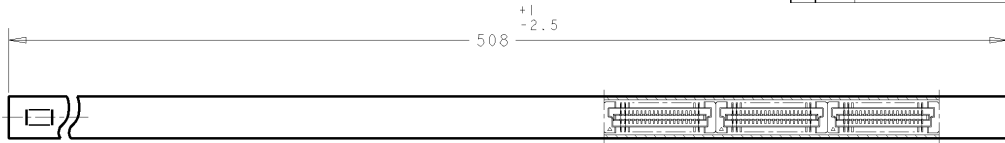
3

2

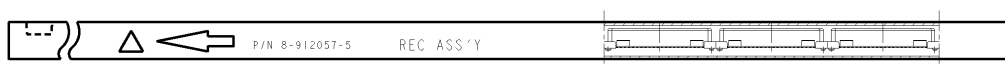
1

THIS DRAWING IS UNPUBLISHED. RELEASED FOR PUBLICATION . . . . .  
 BY AMP INCORPORATED. ALL RIGHTS RESERVED.

LOC	DIST	REVISIONS			
F	LTR	DESCRIPTION	DATE	OWN	APVD
-	-	SEE SHEET 1 OF 2	-	-	-

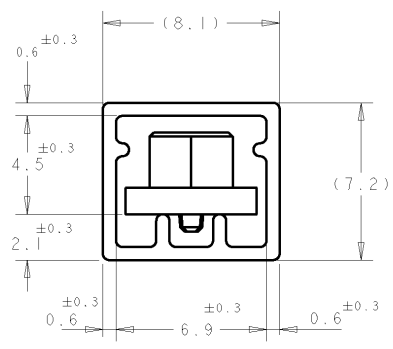
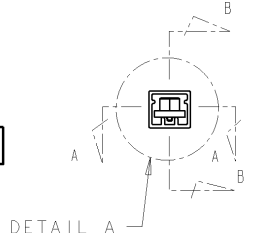


SECT A-A



REFERENCE PICTURE OF TUBE PACK

SECT B-B



DETAIL A

AVAILABLE	5	6	7	9	10	12	16	22	84.2	85.8	79.2	200	180	160	140	120	100	80	60	40	6123000-1	

STATUS	QTY	C	B	A	POS.	CONN P/N

<small>THIS DRAWING IS A CONTROLLED DOCUMENT FOR AMP INCORPORATED. IT IS SUBJECT TO CHANGE AND THE CONFORMING MANUFACTURING ORGANIZATION SHOULD BE CONTACTED FOR THE LATEST REVISION.</small>		DWN 16SLP04 FLORENCE TAN CHK ERIC TNG APVD SEI LIONG	Tyco Electronics (Singapore) Pte. Ltd.	
DIMENSIONS: mm		TOLERANCES UNLESS OTHERWISE SPECIFIED: 0 PLC ± 1 PLC ±0.30 2 PLC ±0.25 3 PLC ±0.20 4 PLC ± ANGLES ±°		NAME REC ASSY FOR FH 0.8BTB CONNECTOR 5H 0.5 BOSS LENGTH (0.76um GOLD)
MATERIAL - FINISH -		PRODUCT SPEC 108-5390 APPLICATION SPEC 114-5254	SIZE A3	CAGE CODE 00779
		WEIGHT -	DRAWING NO 6123000	SCALE 4:1 SHEET 2 OF 2 REV A1
		CUSTOMER DRAWING		