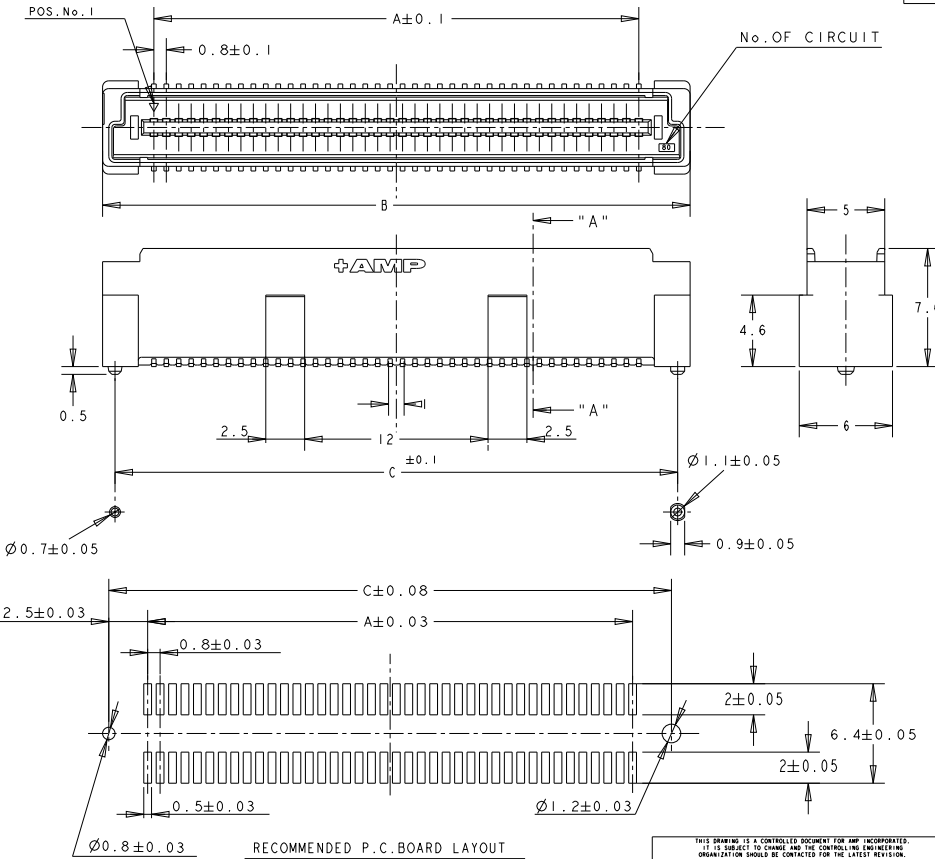


THIS DRAWING IS UNPUBLISHED. RELEASED FOR PUBLICATION .19  
 COPYRIGHT 19 BY AMP INCORPORATED. ALL RIGHTS RESERVED.

LOC	DIST	REVISIONS			
P	LTR	DESCRIPTION	DATE	DWN	APVD
DY	-				
A		REVISED PER ECR-10-006194	22MAR2010	SYJ	LSF



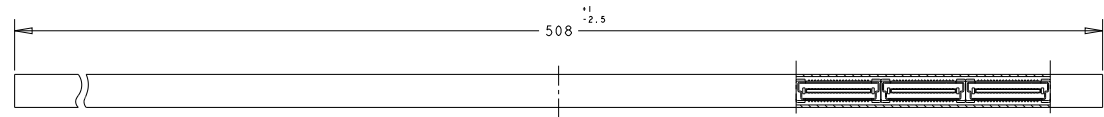
NOTES:

- △ MATERIAL:  
HOUSING: L.C.P. (HIGH TEMP. THERMOPLASTIC)  
UL 94V-0, NATURAL.  
CONTACT: BRASS.
- △ FINISH:  
CONTACT AREA: 0.00076 MIN GOLD ON  
0.0013 MIN ALL OVER NICKEL.  
SOLDERING AREA: 0.002 MIN MATTE-TIN.
- 3. POSITION SERIES: SEE TABLE.
- 4. CONN STACK HEIGHT COMBINE OF PLUG "Y" H VS REC "X" H.  
STACK HEIGHT = Y + X - 5

P/N SEE SHEET 2 OF 2

THIS DRAWING IS A CONTROLLED DOCUMENT FOR AMP INCORPORATED. IT IS SUBJECT TO CHANGE AND THE CONTROL ENGINEERING ORGANIZATION SHOULD BE CONTACTED FOR THE LATEST REVISION.		DWN FLORENCE TAN	14SEP04	Tyco Electronics Singapore
DIMENSIONS: mm		CHK ERIC ING	NAME SF LEONG	
TOLERANCES UNLESS OTHERWISE SPECIFIED: 0 PLC ± 1 PLC ±0.30 2 PLC ±0.25 3 PLC ±0.20 4 PLC ± ANGLES ±3°		APVD SF LEONG	PRODUCT SPEC 108-5390	PLUG ASSY FOR FH 0.8 BTB CONNECTOR 8H 0.5 BOSS LENGTH (0.76um GOLD)
MATERIAL		APPLICATION SPEC 114-5254	WEIGHT	
MATERIAL		FINISH	SIZE A3	CAGE CODE 00779
MATERIAL		FINISH	DRAWING NO G-6123002	SCALE 4:1
MATERIAL		FINISH	CUSTOMER DRAWING	SHEET 1 OF 2

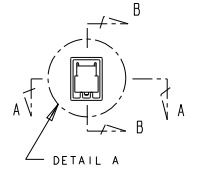
AMP 1470-19 REV 09MAT94



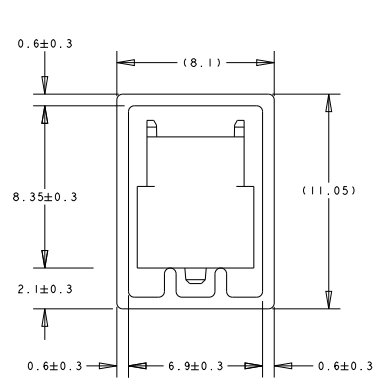
SECT A-A



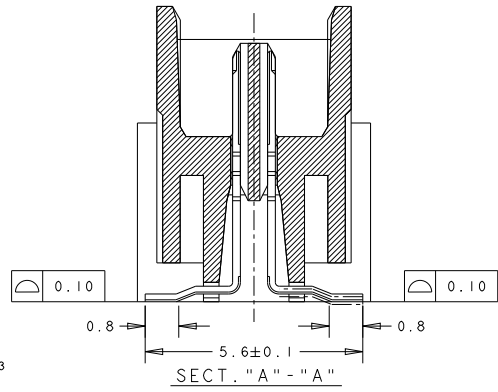
SECT B-B



REFERENCE PICTURE OF TUBE PACK



DETAIL "B"  
(SCALE 5-1)



NOT AVAILABLE	14	32.2	33.8	27.2	70	1-	-1
	5	84.2	85.8	79.2	200	1-	-0
	6	76.2	77.8	71.2	180		-9
	6	68.2	69.8	63.2	160		-8
	7	60.2	61.8	55.2	140		-6
	9	52.2	53.8	47.2	120		-5
	10	44.2	45.8	39.2	100		-4
	12	36.2	37.8	31.2	80		-3
AVAILABLE	16	28.2	29.8	23.2	60		-2
	22	20.2	21.8	15.2	40		6123002-1
	STATUS	QTY/TUBE	C	B	A	POS.	CONN P/N

THIS DRAWING IS A CONTROLLED DOCUMENT FOR AMP INCORPORATED. IT IS SUBJECT TO CHANGE AND THE CONTROLLING ENGINEERING ORGANIZATION SHOULD BE CONTACTED FOR THE LATEST REVISION.

DIMENSIONS:	TOLERANCES UNLESS OTHERWISE SPECIFIED:	DWN	13SEP04	Tyco Electronics Singapore			
mm	0 PLC ±.1 1 PLC ±0.30 2 PLC ±0.25 3 PLC ±0.20 4 PLC ±.1 ANGLES ±.5°	CHK	FLORENCE TAN				
MATERIAL	FINISH	APVD	ERIC ING	NAME: PLUG ASSY FOR FH 0.8 BTB CONNECTOR 8H 0.5 BOSS LENGTH (0.76um GOLD)			
		PRODUCT SPEC	SF LEONG				
		APPLICATION SPEC	108-5390	SIZE	CAGE CODE	DRAWING NO	
		WEIGHT	114-5254	A3	00779	G-6123002	
		CUSTOMER DRAWING		SCALE	4:1	SHEET 2 of 2	REV A