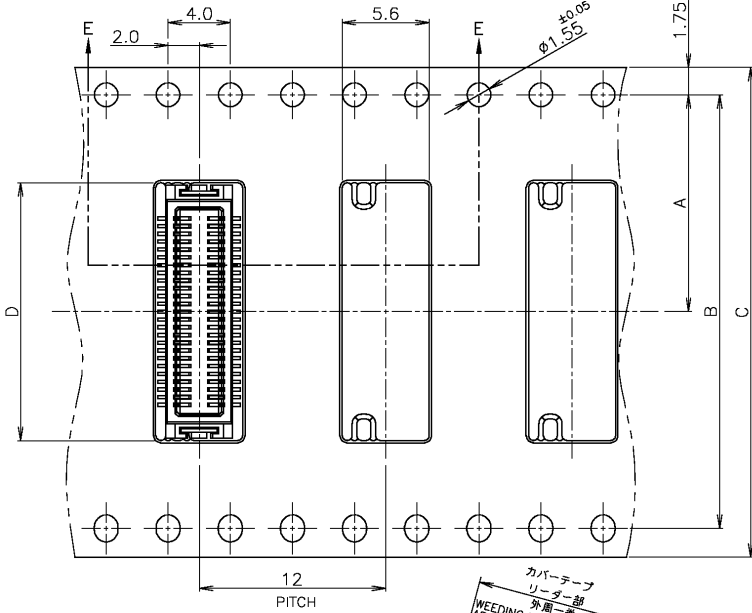
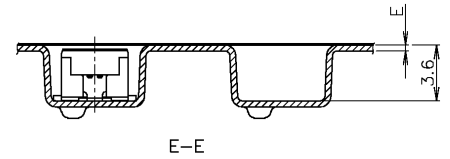


THIS DRAWING IS UNPUBLISHED. RELEASED FOR PUBLICATION APR., 2004.
 © COPYRIGHT 2004 BY TYCO ELECTRONICS CORPORATION. ALL RIGHTS RESERVED.

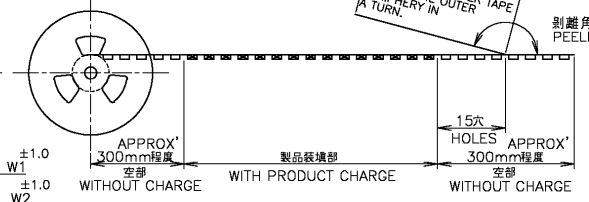
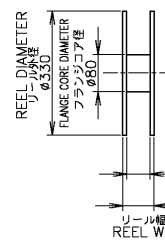
LOC	DIST	REVISIONS			
P	LTR	DESCRIPTION	DATE	DWN	APVD
A		REVISED	FJBO-0396-04	23APR04	Y.N H.M



引出し方向
TOP OF REEL
→



鉛フリー
LEAD FREE



THIS DRAWING IS A CONTROLLED DOCUMENT.

DIMENSIONS: 単位: 概 mm	TOLERANCES UNLESS OTHERWISE SPECIFIED: 一般公差
0 PLC	± 0.3
1 PLC	± 0.3
2 PLC	± 0.3
3 PLC	± 0.3
4 PLC	± 0.3
ANGLES	± 0.3
MATERIAL 材料	FINISH 仕上

INSTRUCTION SHEET 取扱説明書 411-5808	WIRE RANGE 総合電線断面積 Tyco Electronics	INSULATION DIA 絶縁外径
DWN Y. NAKAZAWA 23APR04	CHK T. KUSUHARA 23APR04	APVD H. MURAMATSU 23APR04
Tyco Electronics AMP K.K. Kawasaki, Japan		
NAME 名称 ON TAPING (EMBOSS) 0.5mm PITCH FINE MATE CONN. TAB ASSEMBLY (V-TYPE) (H=4.5)		
SIZE A.3	CAGE CODE 00779	DRAWING NO 番号 1565359
CUSTOMER DRAWING		RESTRICTED 30
SCALE 尺度 4:1	SHEET 1 of 2	REV A

4

3

2

1

THIS DRAWING IS UNPUBLISHED. RELEASED FOR PUBLICATION APR. 2004.
 © COPYRIGHT 2004 BY TYCO ELECTRONICS CORPORATION. ALL RIGHTS RESERVED.

LOC	DIST	REVISIONS 変更			
P	LTR	DESCRIPTION	DATE	DWN	APVD
		SEE SHEET 1			

BOSS	DIMENSIONS								QTY/ REEL	POS	CONNECTOR P/N	TAPING P/N
	W2	W1	E	D	C	B	A					
WITH BOSS												
	50.5	45.5	0.4	24.1	44	40.4	20.2	1000	80	5-1565360-3	5-1565359-3	
WITHOUT BOSS												
	20.2	17.5	0.4	9.1	16	11	7.5	1000	20	1565360-9	1565359-9	
	36.7	33.5	0.4	19.1	32	28.4	14.2	1000	60	1565360-5	1565359-5	
	50.5	45.5	0.4	24.1	44	40.4	20.2	1000	80	1565360-3	1565359-3	
	49.5	45.5	0.38	29.1	44	40.4	20.2	1000	100	1565360-1	1565359-1	

鉛フリー
LEAD FREE

THIS DRAWING IS A CONTROLLED DOCUMENT.

DIMENSIONS: 単位: 概 MM	TOLERANCES UNLESS OTHERWISE SPECIFIED: 一般公差	0 PLC ± 0.3 1 PLC ± 0.3 2 PLC ± 0.3 3 PLC ± 0.3 4 PLC ± 0.3 ANGLES ± 3°	FINISH 仕上
----------------------------	---	--	--------------

INSTRUCTION SHEET
取扱説明書 411-5808

WIRE RANGE
総合電線番付欄

INSULATION DIA
被覆外径

NAME
名称

PRODUCT SPEC
製品規格
108-5496

APPLICATION SPEC
取付適用規格

WEIGHT

SIZE A3 CAGE CODE 00779 DRAWING NO. 番号 C=1565359 RESTRICTED 20

Tyco Electronics AMP K.K.
Kawasaki, Japan

ON TAPING (EMBOSS)
0.5mm PITCH FINE MATE CONN.
TAB ASSEMBLY (V-TYPE) (H=4.5)

CUSTOMER DRAWING SCALE 尺産 4:1 SHEET 2 OF 2 REV A