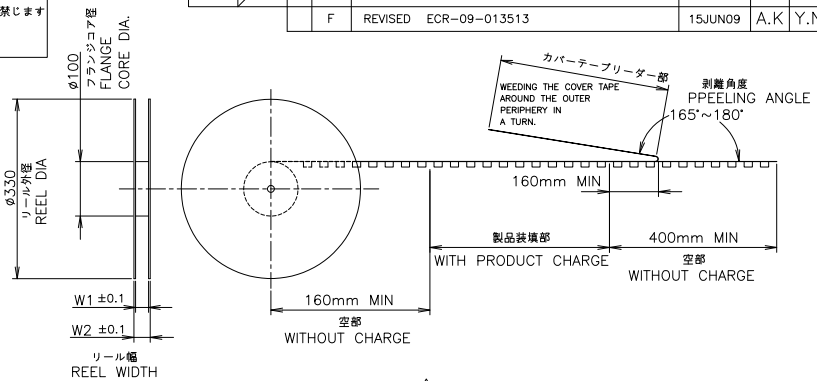
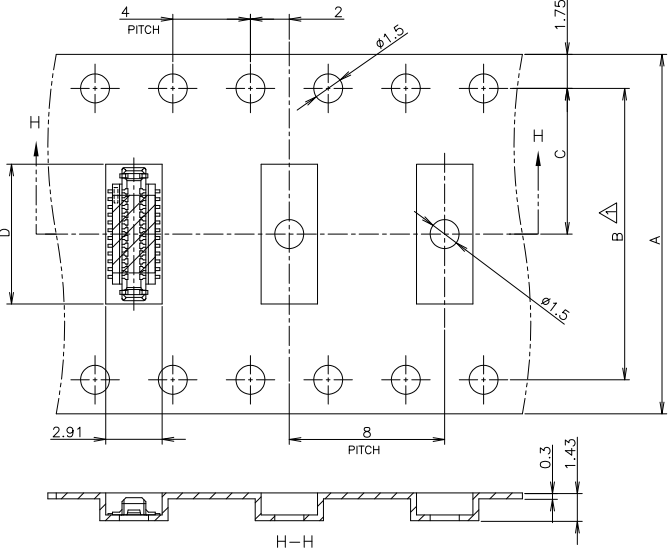


THIS DRAWING IS UNPUBLISHED. RELEASED FOR PUBLICATION JUL. 2006.
 COPYRIGHT 2006 BY TYCO ELECTRONICS CORPORATION. ALL INTERNATIONAL RIGHTS RESERVED.

当図面の情報はタイコ エレクトロニクス アンパ 株式会社の所有する情報を開示しており、無断で複製、貴社外部へ配布する事を固く禁じます
 THIS DRAWING AND INFORMATION ARE OWNED BY TYCO ELECTRONICS AMP K.K AND FORBID COPYING AND DISTRIBUTING WITHOUT NOTICE.

LOC	DIST	REVISIONS			
P	LTR	DESCRIPTION	DATE	DWN	APVD
F		REVISED ECR-09-013513	15JUN09	A,K	Y,N



△ B 寸法はエンボステープ幅 24mm 以下では適用しないこと
 △ 18 POS 以下の極数ではポリイミドテープの貼り付けは行わない

△ THE B SIZE IS NOT ADAPTED BY EMBOSS TAPE WIDTH OF 24mm OR LESS.
 △ POLYIMIDE TAPE IS NOT ADAPTED POSITION 18 POS OR LESS

WITH PEG	38.4	33.5	0.0378	15.6	17.2	18.05	18.4	14.2	28.4	32			
WITH PEG	30.4	24.4	0.0336	13.6	15.2	16.05	16.4	11.5	-	24		8-1871566-0	80
WITH PEG	30.4	24.4	0.0293	11.6	13.2	14.05	14.4	11.5	-	24		7-1871566-0	70
WITH PEG	30.4	24.4	0.0251	9.6	11.2	12.05	12.4	11.5	-	24		6-1871566-0	60
WITH PEG	30.4	24.4	0.0234	8.8	10.4	11.25	11.6	11.5	-	24		5-1871566-0	50
WITHOUT PEG	30.4	24.4	0.0208	7.6	9.2	10.05	10.4	11.5	-	24		4-1871566-6	46
WITHOUT PEG	30.4	24.4	0.0208	7.6	9.2	10.05	10.4	11.5	-	24		4-1871566-1	40
WITHOUT PEG	22.4	16.4	0.0166	5.6	6.4	8.05	8.25	7.5	-	16	4000	4-1871566-0	40
WITHOUT PEG	22.4	16.4	0.0166	5.6	6.4	8.05	8.25	7.5	-	16		4-1871566-0	40
WITH PEG	22.4	16.4	0.0166	5.6	7.2	8.05	8.25	7.5	-	16		3-1871566-1	30
WITH PEG	22.4	16.4	0.0157	5.2	6.8	7.65	8.0	7.5	-	16		3-1871566-0	30
WITH PEG	22.4	16.4	0.0140	4.4	6.0	6.85	7.2	7.5	-	16		2-1871566-8	28
WITH PEG	22.4	16.4	0.0132	4.0	5.6	6.45	6.8	7.5	-	16		2-1871566-4	24
WITHOUT PEG	22.4	16.4	0.0132	4.0	5.6	6.45	6.8	7.5	-	16		2-1871566-3	22
WITHOUT PEG	22.4	16.4	0.0132	4.0	5.6	6.45	6.8	7.5	-	16		2-1871566-2	22
WITHOUT PEG	22.4	16.4	0.0123	3.6	5.2	6.05	6.4	7.5	-	16		2-1871566-1	20
WITH PEG	22.4	16.4	0.0123	3.6	5.2	6.05	6.4	7.5	-	16		2-1871566-0	20
WITH PEG	22.4	16.4	0.0106	2.8	4.4	5.25	5.6	7.5	-	16		2-1871566-0	20
WITH PEG	22.4	16.4	0.0106	2.8	4.4	5.25	5.6	7.5	-	16		1-1871566-6	16

THIS DRAWING IS A CONTROLLED DOCUMENT.

DIMENSIONS: 単位: 概 mm

TOLERANCES UNLESS OTHERWISE SPECIFIED: 一般公差

0 PLC	±0.3
1 PLC	±0.3
2 PLC	±
3 PLC	±
4 PLC	±
ANGLES	±3°

MATERIAL: 材料

FINISH: 仕上

DWN: T.KUBO 26JUL2006
 CHK: Y.NAKAZAWA 26JUL2006
 APVD: T.KUSUHARA 26JUL2006

NAME: Tyco Electronics
 Tyco Electronics Corporation
 Kawasaki, Japan

PRODUCT SPEC: 製品規格
 108-5901

APPLICATION SPEC: 取付適用規格
 4-11-78159

SIZE: A3
 CAGE CODE: 00779
 DRAWING NO: 108-5901
 番号: 1871566

RESTRICTED TO: 制限あり

CUSTOMER DRAWING

SCALE: 5:1
 SHEET: 1 of 2
 REV: F

4

3

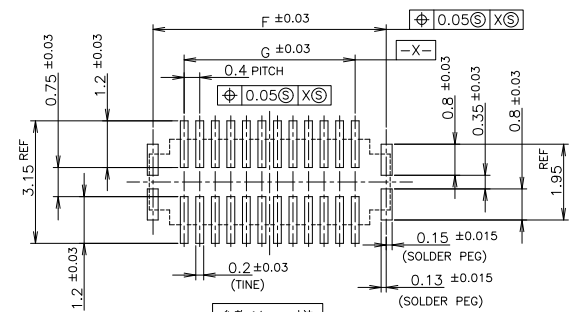
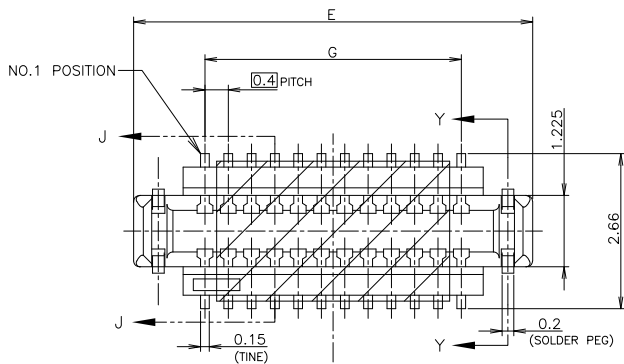
2

1

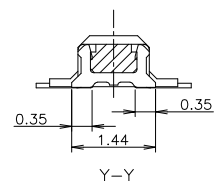
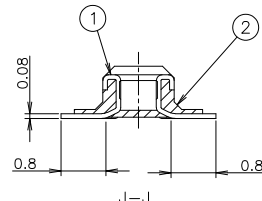
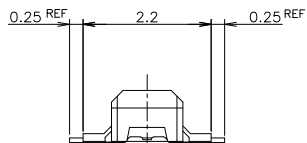
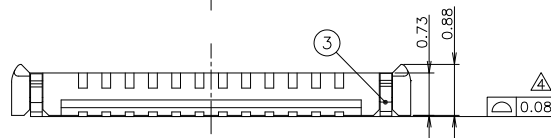
THIS DRAWING IS UNPUBLISHED. RELEASED FOR PUBLICATION JUL., 2006.
 © COPYRIGHT 2006 BY TYCO ELECTRONICS CORPORATION. ALL INTERNATIONAL RIGHTS RESERVED.

当図面の情報はタイコ エレクトロニクス アンパ 株式会社の所有する情報を開示しており、無断で複製、貴社外部へ配布する事を固く禁じます
 THIS DRAWING AND INFORMATION ARE OWNED BY TYCO ELECTRONICS AMP K.K AND FORBID
 COPYING AND DISTRIBUTING WITHOUT NOTICE.

LOC	DIST	REVISIONS			
P	LTR	DESCRIPTION	DATE	DWN	APVD
-	-	SEE SHEET 1	-	-	-



参考パターン寸法
 REFERENCE PCB LAYOUT
 SCALE 10:1



- 3 一般公差: ±0.1
- △ コプラナリティ: 0.08mm 以下とする
- 5 嵌合部品 (RECEPTACLE): P/N *-1747769-*
- △ 材料はテーブル参照のこと
- △ 仕上げはテーブル参照のこと
- 8 バリなき事
- 9 その他の詳細は別途打合せのこと

- 3 GENERAL TOLERANCE: ±0.1
- △ MUST BE MEASURED FLOATING AMOUNT OF TINES AND SOLDER PEG FROM DATUM SURFACE IS 0.08mm MAX.
- 5 MATING CONNECTOR: P/N *-1747769-*
- △ MATERIAL THE TABLE IS REFERENCE
- △ FINISH THE TABLE IS REFERENCE
- 8 NO BURRS ALLOWED
- 9 IN ADDITION DETAILS ARE THE SEPARATE HITTING ADJUSTING

Ni; 1.3um MIN., TIN; 2.0um MIN.	COOPER ALLOY	SOLDER PEG	③
	THERMO PLASTIC	HOUSING	②
Ni; 1.3um MIN., Au; 0.3um MIN. (CONTACT POINT) Ni; 1.3um MIN., Au; 0.05um~ 0.20um. (TINE)	COPPER ALLOY	CONTACT	①

THIS DRAWING IS A CONTROLLED DOCUMENT.		DWN		Tyco Electronics Corporation Kawasaki, Japan	
DIMENSIONS: 単位: 概 mm		TOLERANCES UNLESS OTHERWISE SPECIFIED: 公差		NAME 名称	
0 PLC ±0.3		1 PLC ±0.3		PRODUCT SPEC 製品規格	
2 PLC ±		3 PLC ±		108-5901	
4 PLC ±		5 PLC ±		APPLICATION SPEC 取付適用規格	
6 ANGLES ±°		FINISH 仕上げ		411-78159	
MATERIAL 材料		WEIGHT		SIZE CAGE CODE DRAWING NO 番号	
△		△		A3 00779 C=1871566	
		CUSTOMER DRAWING		RESTRICTED TO	
		SCALE 尺度 15:1		SHEET 2 OF 2 REV F	