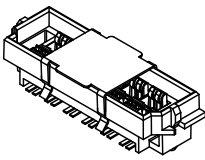
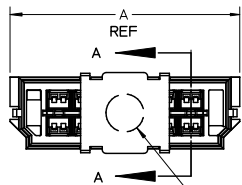
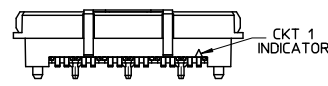
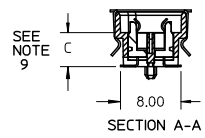
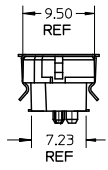
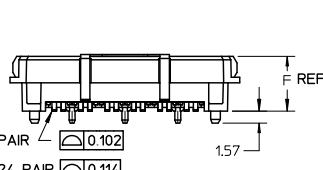


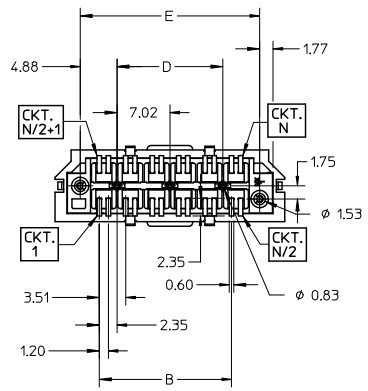
10 9 8 7 6 5 4 3 2 1



- NOTES:
- 1) MATERIALS:
HOUSING - LIQUID CRYSTAL POLYMER, UL94 V-0, NATURAL
CHICKLET - LIQUID CRYSTAL POLYMER, UL94 V-0, BLACK
CONTACT - TIN BRASS
 - 2) CONTACT PLATING FINISH:
0.76 MICRON MIN. SELECT GOLD AND
3.81 MICRON MIN. SELECT PURE TIN OVER
1.27 MICRON MIN. NICKEL OVERALL
 - 3) HOUSING PLATING FINISH:
0.10 MICRON MAX. IMMERSION GOLD OVER
3.81 MICRON MIN. NICKEL OVER
3.81 MICRON MIN. COPPER OVERALL
 - 4) 4.5mm 12 PAIR PLUG ASSEMBLY SHOWN.
 - 5) PART CONFORMS TO MOLEX COSMETIC SPECIFICATION PS-75005-002.
 - 6) PART PERFORMS TO MOLEX PRODUCT SPECIFICATION PS-75005-001.
 - 7) PACKAGE PER PK-75003-002.
 - 8) FOR AUTO-PLACEMENT APPLICATIONS: PCB ORIENTATION HOLE TO BE $\phi 1.65 \pm 0.05$
FOR HAND PLACEMENT APPLICATIONS: PCB ORIENTATION HOLE TO BE $\phi 1.45 \pm 0.05$
 - 9) THIS DIMENSION CONTROLS THE STACK HEIGHT OF THE MATED CONNECTORS.
 - 10) PLEASE REFER TO MOLEX APPLICATION SPECIFICATION AS-75005-001 FOR SUITABLE PROCESSING TEMPERATURES, PERMISSIBLE OFFSETS, AND MATING SEQUENCES.
 - 11) THESE PLATED THRU HOLES SHOULD BE CONNECTED TO SIGNAL GROUND.
 - 12) THIS PART MATES WITH THE 75005 RECEPTACLE.
 - 13) THIS PART IS RECOMMENDED TO BE PLACED ON THE MEZZANINE CARD.
 - 14) HOUSING IS CONDUCTIVE, UNINSULATED TRACES MUST BE KEPT OUT OF KEEP-OUT ZONE.
 - 15) EACH SIDE IS MEASURED TO A COMMON DATUM WITH-IN A COPLANARITY OF 0.102mm FOR 6 AND 12 PAIR, 0.114mm FOR 24 PAIR AND 0.127mm FOR 36 PAIR, THE SIDES MAY VARY TO EACH OTHER BY 0.05mm MAX.



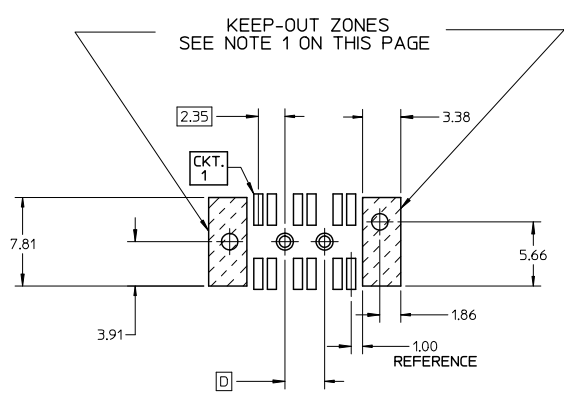
N SURFACES
N = # OF CIRCUITS
(SEE NOTE 15)



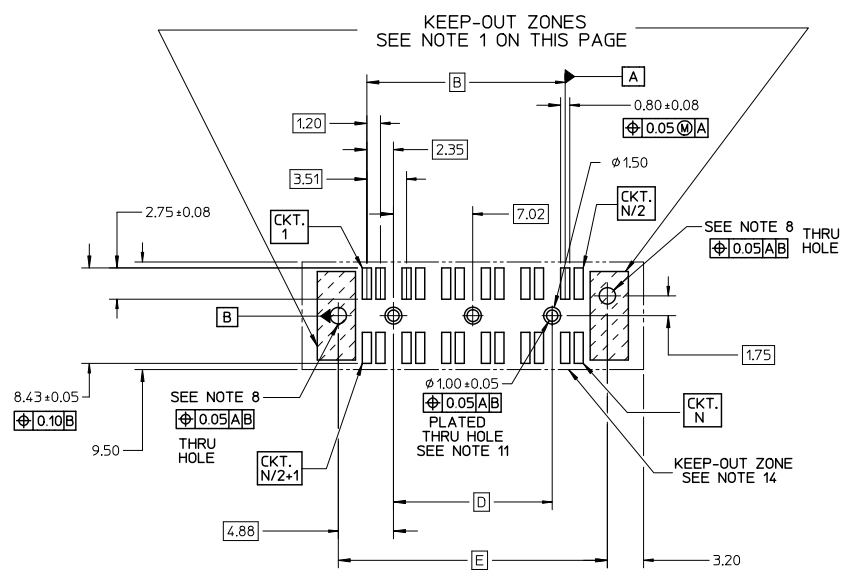
ADD PKG DETAILS EC NO: UCP2010-1785 DRAWN BY: BARBA 2010/01/27 CHECKED BY: DANIELLEY 2001/10/25 APPR: SMILLER 2010/01/28	QUALITY SYMBOLS $\sqrt{Ra}=0$ $\sqrt{Rz}=0$ $\sqrt{Rt}=0$	GENERAL TOLERANCES (UNLESS SPECIFIED)		DIMENSION STYLE MM ONLY		SCALE 2:1	DESIGN UNITS METRIC	THIRD ANGLE PROJECTION																
		<table border="1"> <tr> <th></th> <th>mm</th> <th>INCH</th> </tr> <tr> <td>4 PLACES</td> <td>± 0.13</td> <td>± 0.005</td> </tr> <tr> <td>3 PLACES</td> <td>± 0.25</td> <td>± 0.010</td> </tr> <tr> <td>2 PLACES</td> <td>± 0.38</td> <td>± 0.015</td> </tr> <tr> <td>1 PLACE</td> <td>± 0.51</td> <td>± 0.020</td> </tr> </table>			mm	INCH	4 PLACES	± 0.13	± 0.005	3 PLACES	± 0.25	± 0.010	2 PLACES	± 0.38	± 0.015	1 PLACE	± 0.51	± 0.020	DRAWN BY: KSTILES DATE: 2001/10/24		TITLE SALES DRAWING FOR HIGH SPEED MEZZANINE PLUG			
			mm	INCH																				
		4 PLACES	± 0.13	± 0.005																				
3 PLACES	± 0.25	± 0.010																						
2 PLACES	± 0.38	± 0.015																						
1 PLACE	± 0.51	± 0.020																						
ANGULAR $\pm 1/2^\circ$		CHECKED BY: KREGNIER DATE: 2001/10/25		MOLEX INCORPORATED																				
DRAFT WHERE APPLICABLE MUST REMAIN WITHIN DIMENSIONS		MATERIAL NO. SEE TABLE		APPROVED BY: SMILLER DATE: 2010/01/28		DOCUMENT NO. SD-75003-001		SHEET NO. 1 OF 8																

9 8 7 6 5 4 3 2 1

10 9 8 7 6 5 4 3 2 1



COMPONENT SIDE SHOWN
RECOMMENDED PCB THICKNESS: 157mm
FOR 12 CIRCUIT OPTION.
FOR DIMENSIONS NOT SHOWN REFER TO
THE 24-72 CIRCUIT PCB LAYOUT.



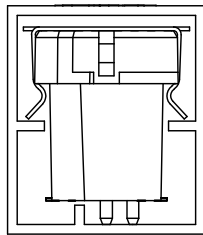
COMPONENT SIDE SHOWN
RECOMMENDED PCB THICKNESS: 157mm
FOR CIRCUIT SIZES FROM 24-72 CIRCUITS.

UNLESS OTHERWISE SPECIFIED, DIMENSIONS ARE COMMON TO BOTH VIEWS

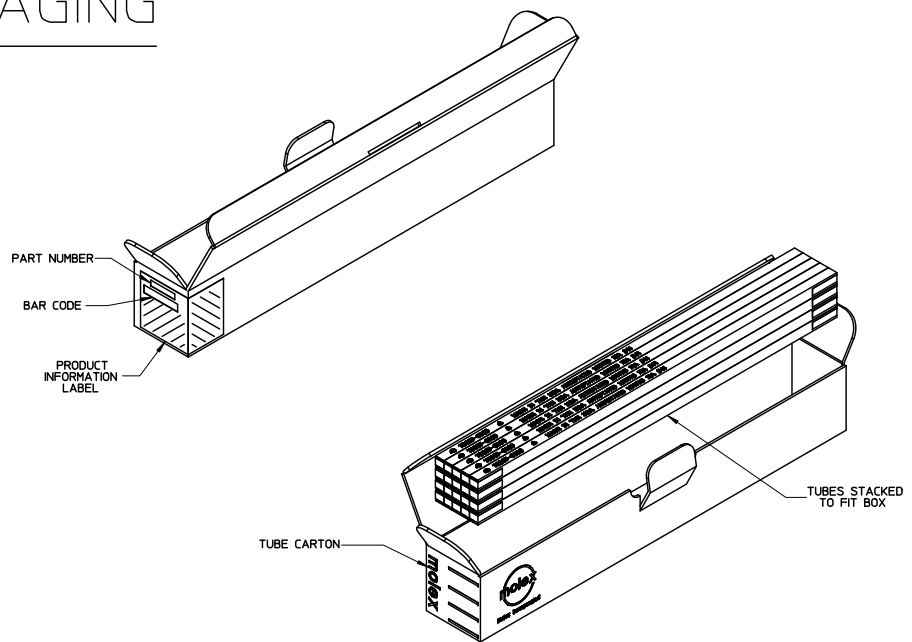
NOTE:
1. NO FEATURES (INCLUDING SOLDER PASTE) WHICH RISE ABOVE THE PCB SURFACE ALLOWED IN THIS AREA.

SEE SHEET 1 IEC NO: UCP2010-1785 DRAWN BY: BARRA 2010/01/22 CHKD: DANIELLEY 2010/10/25 APPR: SMILLER 2010/01/28	QUALITY SYMBOLS ∇=0 ∇=0 ∇=0	GENERAL TOLERANCES (UNLESS SPECIFIED)		DIMENSION STYLE MM ONLY		SCALE 3:1	DESIGN UNITS METRIC	THIRD ANGLE PROJECTION		
			mm	INCH	DRAWN BY KSTILES	DATE 2001/10/24	TITLE SALES DRAWING FOR HIGH SPEED MEZZANINE PLUG MOLEX INCORPORATED			
		4 PLACES	± ---	± ---	CHECKED BY KREGNIER	DATE 2001/10/25				
		3 PLACES	± ---	± ---	APPROVED BY SMILLER	DATE 2010/01/28				
	2 PLACES	± 0.13	± ---	MATERIAL NO. SEE TABLE		DOCUMENT NO. SD-75003-001	SHEET NO. 2 OF 8			
	1 PLACE	± 0.25	± ---	DRAFT WHERE APPLICABLE MUST REMAIN WITHIN DIMENSIONS		THIS DRAWING CONTAINS INFORMATION THAT IS PROPRIETARY TO MOLEX INCORPORATED AND SHOULD NOT BE USED WITHOUT WRITTEN PERMISSION				

TUBE PACKAGING



ORIENTATION OF PART IN TUBE



SEE SHEET 1 EC NO: UCP2010-1785 DRWNS:BARRA 2010/01/22 CHKD:SDANNELLY 2001/10/25 APPR:SMILLER 2010/01/28	QUALITY SYMBOLS	GENERAL TOLERANCES (UNLESS SPECIFIED)	DIMENSION STYLE	SCALE	DESIGN UNITS	THIRD ANGLE PROJECTION
	▽=0	mm INCH	MM ONLY	3:1	METRIC	
	▽=0	4 PLACES ± --- ± ---	DRAWN BY DATE	TITLE		
	▽=0	3 PLACES ± --- ± ---	KSTILES 2001/10/24	SALES DRAWING FOR HIGH SPEED MEZZANINE PLUG		
	2 PLACES ± 0.13 ± ---	CHECKED BY DATE	MOLEX INCORPORATED			
	1 PLACE ± 0.25 ± ---	KREGNIER 2001/10/25	SD-75003-001			
	ANGULAR ± 1/2°	APPROVED BY DATE	SMILLER 2010/01/28			
		MATERIAL NO.	SEE TABLE			
			SIZE B THIS DRAWING CONTAINS INFORMATION THAT IS PROPRIETARY TO MOLEX INCORPORATED AND SHOULD NOT BE USED WITHOUT WRITTEN PERMISSION			
			DOCUMENT NO. SD-75003-001			
			SHEET NO. 3 OF 8			

10 9 8 7 6 5 4 3 2 1

F

E

D

C

B

A

F

E

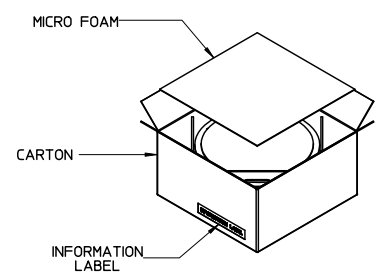
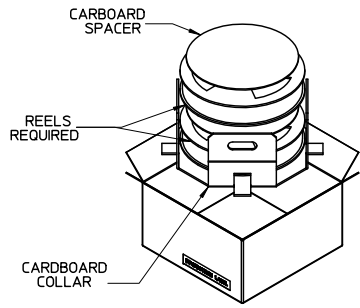
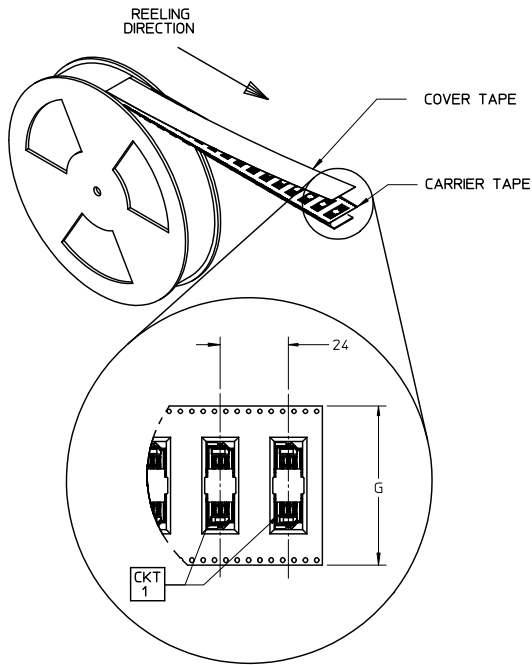
D

C

B

A

TAPE AND REEL PACKAGING



SEE SHEET 1 EC NO: UCP 2010-1785 DRWNS:BARRA 2010/01/22 CHKD:SMALLEY 2011/10/25 APPR:SMILLER 2010/01/28	QUALITY SYMBOLS	GENERAL TOLERANCES (UNLESS SPECIFIED)	DIMENSION STYLE	SCALE	DESIGN UNITS	THIRD ANGLE PROJECTION	
	$\nabla=0$ $\nabla=0$ $\nabla=0$	mm INCH 4 PLACES ± --- ± --- 3 PLACES ± --- ± --- 2 PLACES ± 0.13 ± --- 1 PLACE ± 0.25 ± --- ANGULAR ± 1/2°	MM ONLY	2:1	METRIC	DRAWN BY: KSTILES DATE: 2001/10/24 CHECKED BY: KREGNIER DATE: 2001/10/25 APPROVED BY: SMILLER DATE: 2010/01/28	TITLE: SALES DRAWING FOR HIGH SPEED MEZZANINE PLUG MOLEX INCORPORATED
	DESCRIPTION	DRAFT WHERE APPLICABLE MUST REMAIN WITHIN DIMENSIONS	SEE TABLE	MATERIAL NO.	DOCUMENT NO.	SHEET NO.	
	REV			SIZE B	THIS DRAWING CONTAINS INFORMATION THAT IS PROPRIETARY TO MOLEX INCORPORATED AND SHOULD NOT BE USED WITHOUT WRITTEN PERMISSION		

tb_frame_B_P_AM_T
Rev. F 2009/06/18

9 8 7 6 5 4 3 2 1

10 9 8 7 6 5 4 3 2 1

PACKAGED IN TUBES

NUMBER OF CIRCUITS	NUMBER OF DIFFERENTIAL PAIRS	MATERIAL NUMBER	A	B	C	D	E	F	PARTS PER TUBE
12	6	NOT TOOLED	19.93	7.02	4.50	3.52	13.27	7.25	NOT TOOLED
12	6	750030305	19.93	7.02	5.50	3.52	13.27	8.25	28
12	6	NOT TOOLED	19.93	7.02	6.50	3.52	13.27	9.25	NOT TOOLED
12	6	750030308	19.93	7.02	8.50	3.52	13.27	11.25	28
12	6	750030310	19.93	7.02	10.50	3.52	13.27	13.25	28
12	6	NOT TOOLED	19.93	7.02	12.50	3.52	13.27	15.25	NOT TOOLED
24	12	NOT TOOLED	30.46	17.55	4.50	14.05	23.80	7.25	NOT TOOLED
24	12	750030005	30.46	17.55	5.50	14.05	23.80	8.25	18
24	12	NOT TOOLED	30.46	17.55	6.50	14.05	23.80	9.25	NOT TOOLED
24	12	750030008	30.46	17.55	8.50	14.05	23.80	11.25	18
24	12	750030010	30.46	17.55	10.50	14.05	23.80	13.25	18
24	12	NOT TOOLED	30.46	17.55	12.50	14.05	23.80	15.25	NOT TOOLED

SEE SHEET 1 EC NO: UCP2010-1785 DRAWN BY: BARRA 2010/01/27 CHKD: SPANLEY 2011/10/25 APPR: SMILLER 2010/01/28 H REV	QUALITY SYMBOLS ∇=0 ∇=0 ∇=0	GENERAL TOLERANCES (UNLESS SPECIFIED)		DIMENSION STYLE MM ONLY		SCALE 2:1	DESIGN UNITS METRIC	THIRD ANGLE PROJECTION	
								TITLE SALES DRAWING FOR HIGH SPEED MEZZANINE PLUG MOLEX INCORPORATED DOCUMENT NO. SD-75003-001 SHEET NO. 5 OF 8	
		DRAFT WHERE APPLICABLE MUST REMAIN WITHIN DIMENSIONS		SEE TABLE		THIS DRAWING CONTAINS INFORMATION THAT IS PROPRIETARY TO MOLEX INCORPORATED AND SHOULD NOT BE USED WITHOUT WRITTEN PERMISSION			

tb_frame_B_P_AM_1
Rev. F 2009/06/18

9 8 7 6 5 4 3 2 1

PACKAGED IN TUBES

NUMBER OF CIRCUITS	NUMBER OF DIFFERENTIAL PAIRS	MATERIAL NUMBER	A	B	C	D	E	F	PARTS PER TUBE
48	24	NOT TOOLED	51.52	38.61	4.50	35.11	44.86	7.25	NOT TOOLED
48	24	750030105	51.52	38.61	5.50	35.11	44.86	8.25	10
48	24	NOT TOOLED	51.52	38.61	6.50	35.11	44.86	9.25	NOT TOOLED
48	24	NOT TOOLED	51.52	38.61	8.50	35.11	44.86	11.25	NOT TOOLED
48	24	750030110	51.52	38.61	10.50	35.11	44.86	13.25	10
48	24	NOT TOOLED	51.52	38.61	12.50	35.11	44.86	15.25	NOT TOOLED
72	36	NOT TOOLED	72.58	59.67	4.50	56.17	65.92	7.25	NOT TOOLED
72	36	750030205	72.58	59.67	5.50	56.17	65.92	8.25	7
72	36	NOT TOOLED	72.58	59.67	6.50	56.17	65.92	9.25	NOT TOOLED
72	36	NOT TOOLED	72.58	59.67	8.50	56.17	65.92	11.25	NOT TOOLED
72	36	750030210	72.58	59.67	10.50	56.17	65.92	13.25	7
72	36	NOT TOOLED	72.58	59.67	12.50	56.17	65.92	15.25	NOT TOOLED

SEE SHEET 1 EC NO. UCP2010-1785 DRAWN BY BARBA 2010/01/22 CHKD: DANIELLEY 2001/10/25 APPR: SMILLER 2010/01/28	QUALITY SYMBOLS √=0 √=0 √=0	GENERAL TOLERANCES (UNLESS SPECIFIED)		DIMENSION STYLE MM ONLY		SCALE 3:1	DESIGN UNITS METRIC	THIRD ANGLE PROJECTION	
			mm	INCH	DRAWN BY KSTILES	DATE 2001/10/24	TITLE SALES DRAWING FOR HIGH SPEED MEZZANINE PLUG MOLEX INCORPORATED MATERIAL NO. SD-75003-001 DOCUMENT NO. 6 OF 8		
		4 PLACES	± ---	± ---	CHECKED BY KREGNIER	DATE 2001/10/25			
		3 PLACES	± ---	± ---	APPROVED BY SMILLER	DATE 2010/01/28			
2 PLACES	± 0.13	± ---	MATERIAL NO. SD-75003-001						
1 PLACE	± 0.25	± ---	ANGULAR ± 1/2°		DRAFT WHERE APPLICABLE MUST REMAIN WITHIN DIMENSIONS		SIZE B THIS DRAWING CONTAINS INFORMATION THAT IS PROPRIETARY TO MOLEX INCORPORATED AND SHOULD NOT BE USED WITHOUT WRITTEN PERMISSION		

PACKAGED IN TAPE AND REEL

NUMBER OF CIRCUITS	NUMBER OF DIFFERENTIAL PAIRS	MATERIAL NUMBER	A	B	C	D	E	F	CARRIER TAPE WIDTH G	PARTS PER REEL
12	6	NOT TOOLED	19.93	7.02	4.50	3.52	13.27	7.25	NOT TOOLED	
12	6	750032305	19.93	7.02	5.50	3.52	13.27	8.25	NOT TOOLED	
12	6	NOT TOOLED	19.93	7.02	6.50	3.52	13.27	9.25	NOT TOOLED	
12	6	750032308	19.93	7.02	8.50	3.52	13.27	11.25	NOT TOOLED	
12	6	750032310	19.93	7.02	10.50	3.52	13.27	13.25	NOT TOOLED	
12	6	NOT TOOLED	19.93	7.02	12.50	3.52	13.27	15.25	NOT TOOLED	
24	12	NOT TOOLED	30.46	17.55	4.50	14.05	23.80	7.25	NOT TOOLED	
24	12	750032005	30.46	17.55	5.50	14.05	23.80	8.25	NOT TOOLED	
24	12	NOT TOOLED	30.46	17.55	6.50	14.05	23.80	9.25	NOT TOOLED	
24	12	750032008	30.46	17.55	8.50	14.05	23.80	11.25	56	186
24	12	750032010	30.46	17.55	10.50	14.05	23.80	13.25	NOT TOOLED	
24	12	NOT TOOLED	30.46	17.55	12.50	14.05	23.80	15.25	NOT TOOLED	

SEE SHEET 1 EC NO: UCP2010-1785 DRAWN BY: BARRA 2010/01/27 CHKD: SPANLEY 2010/01/25 APPR: SMILLER 2010/01/28	QUALITY SYMBOLS ∇=0 ∇=0 ∇=0	GENERAL TOLERANCES (UNLESS SPECIFIED)		DIMENSION STYLE MM ONLY		SCALE 3:1	DESIGN UNITS METRIC	THIRD ANGLE PROJECTION			
				mm	INCH	DRAWN BY KSTILES	DATE 2001/10/24	TITLE SALES DRAWING FOR HIGH SPEED MEZZANINE PLUG			
				4 PLACES ± --- ± ---	3 PLACES ± --- ± ---	CHECKED BY KREGNIER	DATE 2001/10/25				
				2 PLACES ± 0.13 ± ---	1 PLACE ± 0.25 ± ---	APPROVED BY SMILLER	DATE 2010/01/28	MOLEX INCORPORATED MATERIAL NO. _____ DOCUMENT NO. SD-75003-001 SHEET NO. 7 OF 8			
DRAFT WHERE APPLICABLE MUST REMAIN WITHIN DIMENSIONS				SEE TABLE		THIS DRAWING CONTAINS INFORMATION THAT IS PROPRIETARY TO MOLEX INCORPORATED AND SHOULD NOT BE USED WITHOUT WRITTEN PERMISSION					

PACKAGED IN TAPE AND REEL

NUMBER OF CIRCUITS	NUMBER OF DIFFERENTIAL PAIRS	MATERIAL NUMBER	A	B	C	D	E	F	CARRIER TAPE WIDTH G	PARTS PER REEL
48	24	NOT TOOLED	51.52	38.61	4.50	35.11	44.86	7.25	NOT TOOLED	
48	24	750032105	51.52	38.61	5.50	35.11	44.86	8.25	72	260
48	24	NOT TOOLED	51.52	38.61	6.50	35.11	44.86	9.25	NOT TOOLED	
48	24	NOT TOOLED	51.52	38.61	8.50	35.11	44.86	11.25	NOT TOOLED	
48	24	750032110	51.52	38.61	10.50	35.11	44.86	13.25	72	160
48	24	NOT TOOLED	51.52	38.61	12.50	35.11	44.86	15.25	NOT TOOLED	
72	36	NOT TOOLED	72.58	59.67	4.50	56.17	65.92	7.25	NOT TOOLED	
72	36	750032205	72.58	59.67	5.50	56.17	65.92	8.25	NOT TOOLED	
72	36	NOT TOOLED	72.58	59.67	6.50	56.17	65.92	9.25	NOT TOOLED	
72	36	NOT TOOLED	72.58	59.67	8.50	56.17	65.92	11.25	NOT TOOLED	
72	36	750032210	72.58	59.67	10.50	56.17	65.92	13.25	NOT TOOLED	
72	36	NOT TOOLED	72.58	59.67	12.50	56.17	65.92	15.25	NOT TOOLED	

ADD PKG DETAILS EC NO: UCP2010-1785 I DRWNS: BARRA 2010/01/22 CHKD: DANIELLY 2011/10/25 APPR: SMILLER 2010/01/28	QUALITY SYMBOLS	GENERAL TOLERANCES (UNLESS SPECIFIED)		DIMENSION STYLE MM ONLY		SCALE 3:1	DESIGN UNITS METRIC	THIRD ANGLE PROJECTION	
	▽=0	mm	INCH	DRAWN BY KSTILES	DATE 2001/10/24	TITLE SALES DRAWING FOR HIGH SPEED MEZZANINE PLUG MOLEX INCORPORATED DOCUMENT NO. SD-75003-001 SHEET NO. 8 OF 8			
	▽=0	4 PLACES ± --- ± ---	3 PLACES ± --- ± ---	CHECKED BY KREGNIER	DATE 2001/10/25				
	▽=0	2 PLACES ± 0.13 ± ---	1 PLACE ± 0.25 ± ---	APPROVED BY SMILLER	DATE 2010/01/28				
▽=0	ANGULAR ± 1/2°		MATERIAL NO.	SIZE B					
	DRAFT WHERE APPLICABLE MUST REMAIN WITHIN DIMENSIONS			THIS DRAWING CONTAINS INFORMATION THAT IS PROPRIETARY TO MOLEX INCORPORATED AND SHOULD NOT BE USED WITHOUT WRITTEN PERMISSION					