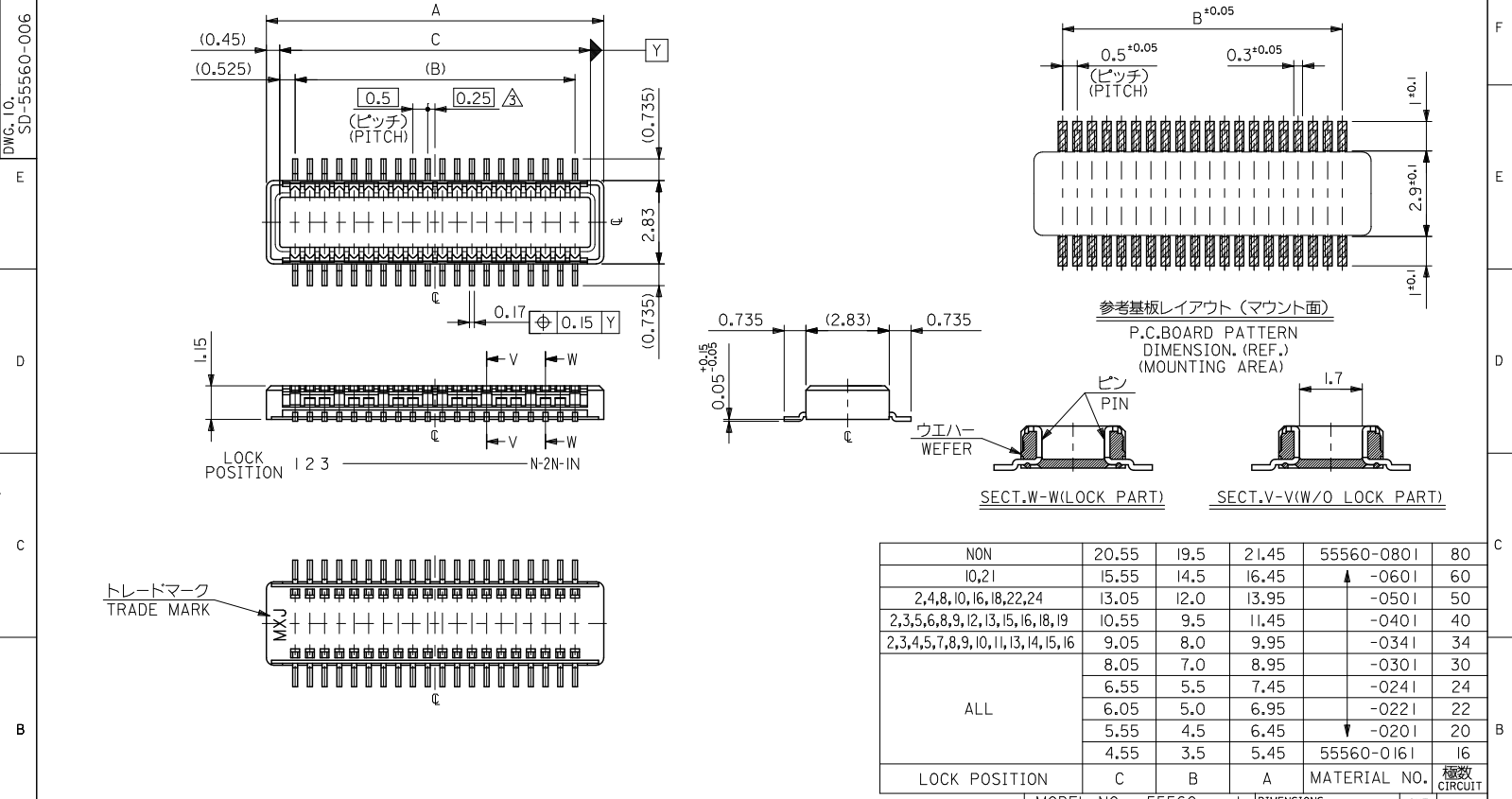


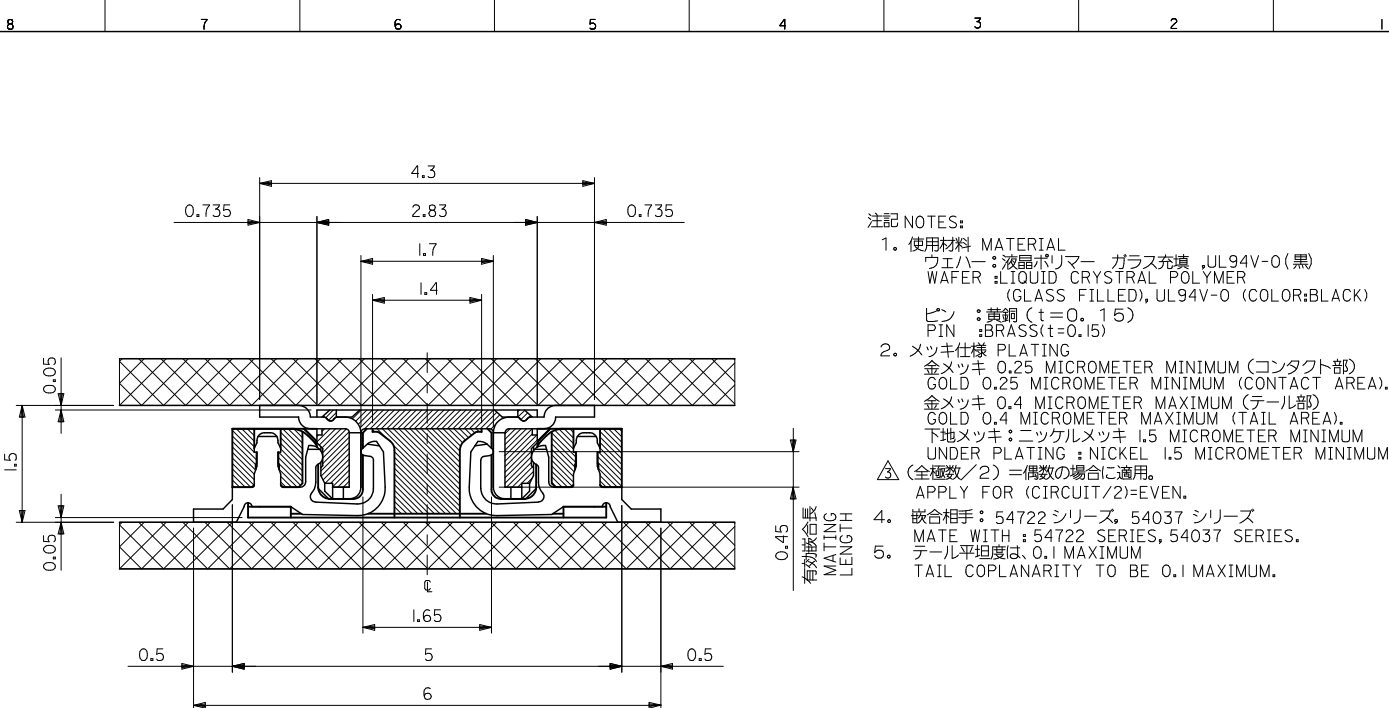
DWG. NO. SD-55560-006



NON	20.55	19.5	21.45	55560-0801	80
10,21	15.55	14.5	16.45	-0601	60
2,4,8,10,16,18,22,24	13.05	12.0	13.95	-0501	50
2,3,5,6,8,9,12,13,15,16,18,19	10.55	9.5	11.45	-0401	40
2,3,4,5,7,8,9,10,11,13,14,15,16	9.05	8.0	9.95	-0341	34
ALL	8.05	7.0	8.95	-0301	30
	6.55	5.5	7.45	-0241	24
	6.05	5.0	6.95	-0221	22
	5.55	4.5	6.45	-0201	20
4.55	3.5	5.45	55560-0161	16	
LOCK POSITION	C	B	A	MATERIAL NO.	極数 CIRCUIT

DO NOT SCALE DRAWING	REVISED EC NO. JZ010-1741 DRWN: Y.GNO '00/09/01 CHK: SMARUYAMA APPR: SMARUYAMA	REVISED EC NO. JZ010-1529 DRWN: Y.GNO '00/07/27 CHK: SMARUYAMA APPR: M.SASAO	REVISED EC NO. JZ003-2517 DRWN: S.AIHARA '03/03/31 CHK: M.SASAO APPR: M.SASAO	REVISED EC NO. JZ003-1929 DRWN: T.YASUI '03/11/23 CHK: T.IITO APPR: T.IITO	REVISED EC NO. JZ003-1468 DRWN: T.YASUI '02/11/25 CHK: T.IITO APPR: T.YAMAGUCHI	MATERIAL 材料 注記参照 SEE NOTES	GENERAL TOLERANCES: (UNLESS SPECIFIED) 一般公差	SCALE 1/4	MODEL NO. 55560-***1	DESIGN UNITS <input checked="" type="checkbox"/> mm <input type="checkbox"/> INCH	DIMENSIONS: THIRD ANGLE PROJECTION <input type="checkbox"/> mm <input type="checkbox"/> INCH <input checked="" type="checkbox"/> mm ONLY	SHT REV
J	I	G	F	E	REV	FINISH 仕上げ //	10 UNDER 未満 +0.2	DRAWN BY & DATE S.AIHARA '00/10/5	TITLE: 0.5 B-To-B Conn PLUG Assy(Hgt=1.5mm)	<input type="checkbox"/> mm <input type="checkbox"/> INCH <input checked="" type="checkbox"/> mm ONLY	REVISE ON CAD ONLY	
						WIRE RANGE 適用電線範囲 //	10 OVER 以上 +0.25	CHECKED BY & DATE M.SASAO '03/03/31	MATERIAL NO. SEE CHART	<input type="checkbox"/> mm <input type="checkbox"/> INCH <input checked="" type="checkbox"/> mm ONLY		
						INS. RANGE 被覆外径 //	30 OVER 以上 +0.3	APPROVED BY & DATE M.SASAO '03/03/31	DRAWING NO. SD-55560-006	<input type="checkbox"/> mm <input type="checkbox"/> INCH <input checked="" type="checkbox"/> mm ONLY		
							ANGLE 角度 +3°	CAD FILENAME 55560006.S01	SHEET NO. 1 OF 2	<input type="checkbox"/> mm <input type="checkbox"/> INCH <input checked="" type="checkbox"/> mm ONLY		
								THIS DRAWING CONTAINS INFORMATION THAT IS PROPRIETARY TO MOLEX INCORPORATED AND SHOULD NOT BE USED WITHOUT WRITTEN PERMISSION.		<input type="checkbox"/> mm <input type="checkbox"/> INCH <input checked="" type="checkbox"/> mm ONLY		
										<input type="checkbox"/> mm <input type="checkbox"/> INCH <input checked="" type="checkbox"/> mm ONLY	SIZE B	

EN-02(J097) MXJ-54



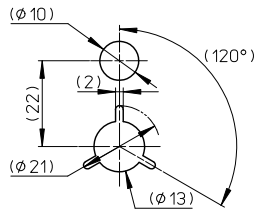
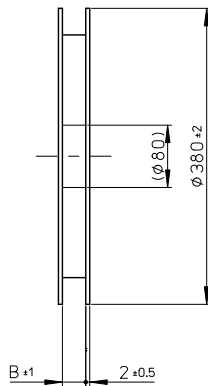
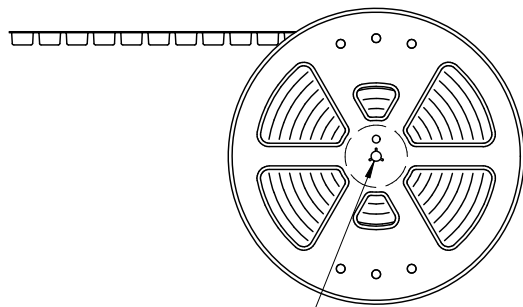
嵌合断面図 (参考)
MATED DRAWING (REF.)

- 注記 NOTES:
1. 使用材料 MATERIAL
 ウェハー: 液晶ポリマー ガラス充填, UL94V-0 (黒)
 WAFER: LIQUID CRYSTAL POLYMER (GLASS FILLED), UL94V-0 (COLOR:BLACK)
 ピン: 黄銅 (t=0.15)
 PIN: BRASS (t=0.15)
 2. メッキ仕様 PLATING
 金メッキ 0.25 MICROMETER MINIMUM (コンタクト部)
 GOLD 0.25 MICROMETER MINIMUM (CONTACT AREA).
 金メッキ 0.4 MICROMETER MAXIMUM (テール部)
 GOLD 0.4 MICROMETER MAXIMUM (TAIL AREA).
 下地メッキ: ニッケルメッキ 1.5 MICROMETER MINIMUM
 UNDER PLATING: NICKEL 1.5 MICROMETER MINIMUM.
 △ (全極数/2) = 偶数の場合に適用。
 APPLY FOR (CIRCUIT/2)=EVEN.
 4. 嵌合相手: 54722 シリーズ, 54037 シリーズ
 MATE WITH: 54722 SERIES, 54037 SERIES.
 5. テール平坦度は, 0.1 MAXIMUM
 TAIL COPLANARITY TO BE 0.1 MAXIMUM.

DO NOT SCALE DRAWING		REVISED EC NO. JZ010-1741 DRWN: Y.GNO '00/03/01 CHK: SMARUYAMA APPR: SMARUYAMA		REVISED EC NO. JZ010-1529 DRWN: Y.GNO '00/01/27 CHK: SMARUYAMA APPR: M.SASAO		REVISED EC NO. JZ003-2517 DRWN: S.ALHARA '03/03/31 CHK: M.SASAO APPR: M.SASAO		REVISED EC NO. JZ003-1929 DRWN: T.YASUI '03/11/23 CHK: I.IITO APPR: I.IITO		REVISED EC NO. JZ003-1468 DRWN: T.YASUI '02/11/25 CHK: I.IITO APPR: T.YAMAGUCHI		MATERIAL 材料	GENERAL TOLERANCES: (UNLESS SPECIFIED) 一般公差	SCALE 一対一	DESIGN UNITS <input checked="" type="checkbox"/> mm <input type="checkbox"/> INCH	MODEL NO. 55560-****	DIMENSIONS: <input type="checkbox"/> mm <input type="checkbox"/> INCH <input checked="" type="checkbox"/> mm ONLY	SHT 2	REV OF 2																				
J	I	G	F	E	D	C	B	A				注記参照 SEE NOTES	10 UNDER 未満	10 OVER 以上	30 UNDER 未満	30 OVER 以上	ANGLE 角度	DRAWN BY & DATE S.ALHARA '00/10/5	CHECKED BY & DATE M.SASAO '03/03/31	APPROVED BY & DATE M.SASAO '03/03/31	CAD FILENAME 55560006.SQ2	TITLE: 0.5 B-To-B Conn PLUG Assy(Hgt=1.5mm)	MATERIAL NO. SEE CHART	DRAWING NO. SD-55560-006	SHEET NO. 2 OF 2	SIZE B													
FINISH 仕上げ												10 UNDER 未満		10 OVER 以上		30 UNDER 未満		30 OVER 以上		ANGLE 角度		DRAWN BY & DATE S.ALHARA '00/10/5		CHECKED BY & DATE M.SASAO '03/03/31		APPROVED BY & DATE M.SASAO '03/03/31		CAD FILENAME 55560006.SQ2		TITLE: 0.5 B-To-B Conn PLUG Assy(Hgt=1.5mm)		MATERIAL NO. SEE CHART		DRAWING NO. SD-55560-006		SHEET NO. 2 OF 2		SIZE B	
WIRE RANGE 適用電線範囲												10 UNDER 未満		10 OVER 以上		30 UNDER 未満		30 OVER 以上		ANGLE 角度		DRAWN BY & DATE S.ALHARA '00/10/5		CHECKED BY & DATE M.SASAO '03/03/31		APPROVED BY & DATE M.SASAO '03/03/31		CAD FILENAME 55560006.SQ2		TITLE: 0.5 B-To-B Conn PLUG Assy(Hgt=1.5mm)		MATERIAL NO. SEE CHART		DRAWING NO. SD-55560-006		SHEET NO. 2 OF 2		SIZE B	
INS. RANGE 被覆外径												10 UNDER 未満		10 OVER 以上		30 UNDER 未満		30 OVER 以上		ANGLE 角度		DRAWN BY & DATE S.ALHARA '00/10/5		CHECKED BY & DATE M.SASAO '03/03/31		APPROVED BY & DATE M.SASAO '03/03/31		CAD FILENAME 55560006.SQ2		TITLE: 0.5 B-To-B Conn PLUG Assy(Hgt=1.5mm)		MATERIAL NO. SEE CHART		DRAWING NO. SD-55560-006		SHEET NO. 2 OF 2		SIZE B	

10 9 8 7 6 5 4 3 2 1

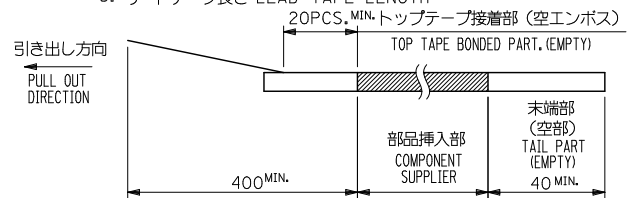
引き出し方向
PULL OUT DIRECTION



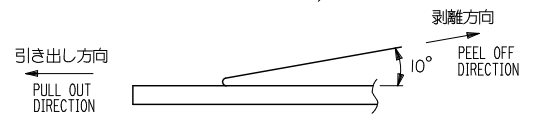
DETAIL "F"

NOTES

- 製品詳細寸法については図面 SD-55560-006 を参照下さい。
RE DETAILED DIMENSION, SEE SD-55560-006
- 梱包数量: 3000個/リール
NUMBER OF CONNECTORS: 3000PCS/REEL
- リードテープ長さ LEAD TAPE LENGTH



- トップテープの剥離強度: 0.1N ~ 0.7N(10.2gf ~ 71.4gf)
(剥離方向は下図参照)
尚、本規格値は出荷時に適用。(但し、輸送時に剥離が発生しないこと。)
PEELING OFF FORCE OF TOP TAPE: 0.1N ~ 0.7N(10.2gf ~ 71.4gf)
(PEELING DIRECTION AS SHOWN IN FOLLOWING FIG.)
THIS REQUIREMENT SHOULD BE APPLIED AT SHIPMENT.
PEEL OFF SHOULD NOT BE ALLOWED, DURING TRANSPORTATION.

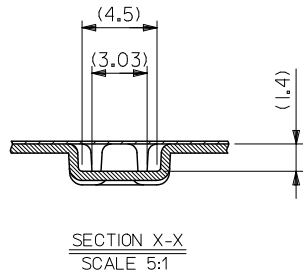
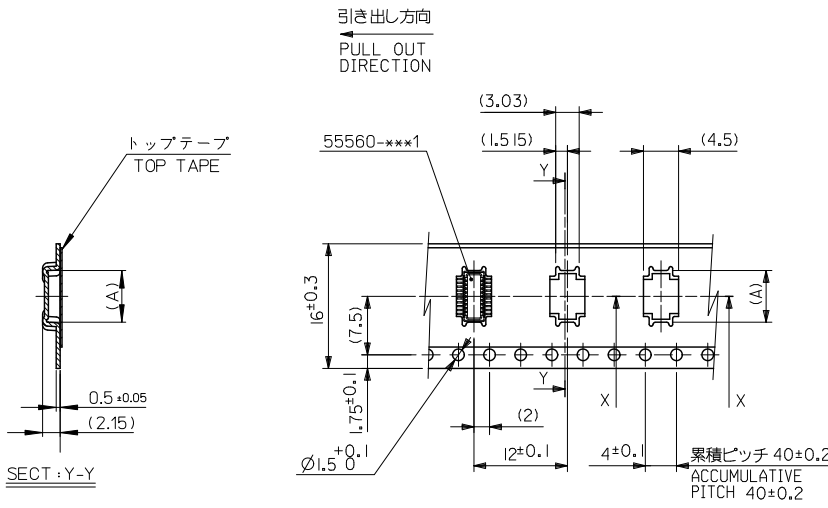


- 材料
キャリアテープ: ポリプロピレン (PP)
トップテープ: PET, PE, PEF
リール: ポリスチレン (PS) <リサイクル材を含む>

MATERIAL CARRIER TAPE: POLYPROPYLENE
TOP TAPE: PET, PE, PEF
REEL: POLYSTYRENE (PS)
<RECYCLE MATERIAL CONTAINED>

REVISED EC NO: J2010-1529 DRW: YONODZ CHKD: SMARYAMA APPR: MSASAO 2010/01/28 2010/02/01 2010/02/01	GENERAL TOLERANCES (UNLESS SPECIFIED)		DIMENSION STYLE MM ONLY		SCALE ---	DESIGN UNITS METRIC	THIRD ANGLE PROJECTION	
	10 UNDER	±0.2	DRAWN BY S. AIHARA	DATE '00/10/06	TITLE 0.5 B-T0-B PLUG ASSY (HGT=1.5) EMBSTP PKG (SHEET 1 OF 5)			
	10 OVER 30 UNDER	±0.25	CHECKED BY M. SASAO	DATE '03/03/31	MOLEX INCORPORATED DOCUMENT NO. SD-55560-007 SHEET NO. 1 OF 5			
	30 OVER	±0.3	APPROVED BY M. SASAO	DATE '03/03/31				
ANGULAR	±3 °	MATERIAL NO. SEE CHART		SIZE A3 THIS DRAWING CONTAINS INFORMATION THAT IS PROPRIETARY TO MOLEX INCORPORATED AND SHOULD NOT BE USED WITHOUT WRITTEN PERMISSION				
DRAFT WHERE APPLICABLE MUST REMAIN WITHIN DIMENSIONS								

10 9 8 7 6 5 4 3 2 1



SECT: Y-Y

16mm幅キャリアテープ
16mm WIDTH CARRIER TAPE

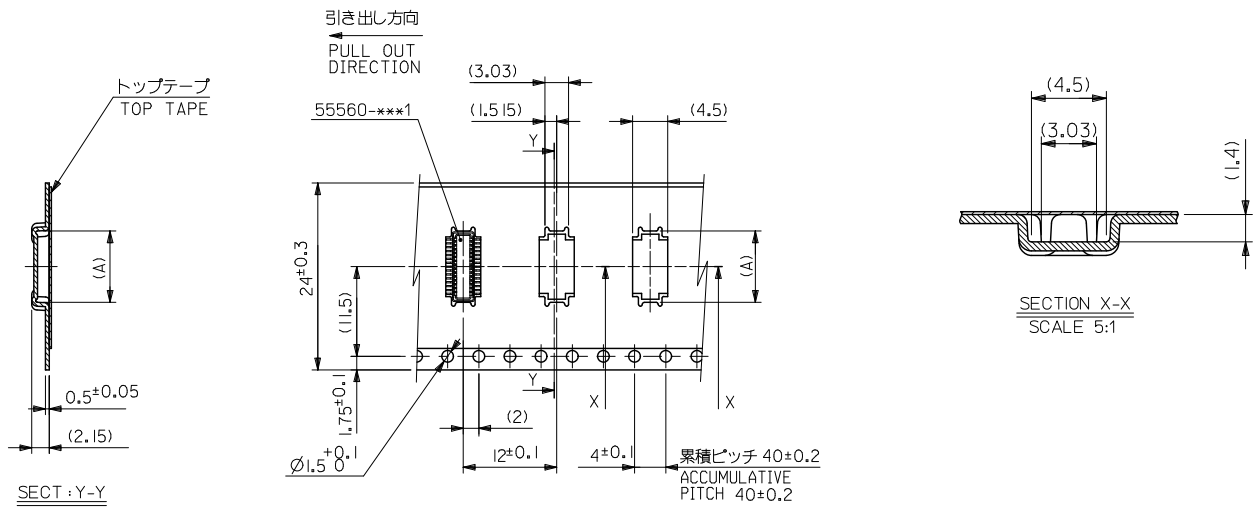
16	17.5	6.65	55560-0207	55560-***7	20
キャリアテープ幅 CARRIER TAPE WIDTH	B	(A)	MATERIAL No.	MODEL No.	極数 CIRCUIT

REVISED EC NO: J2010-1529 DRW: YON002 CHK: SMARYAMA APPR: MSASAO 2010/01/28 2010/02/01 2010/02/01	GENERAL TOLERANCES (UNLESS SPECIFIED)		DIMENSION STYLE MM ONLY		SCALE ---	DESIGN UNITS METRIC	THIRD ANGLE PROJECTION
	10 UNDER	±0.2	DRAWN BY S. AIHARA	DATE '00/10/06	TITLE 0.5 B-T0-B PLUG ASSY (HGT=1.5) EMBSTP PKG (SHEET 2 OF 5)		
	10 OVER 30 UNDER	±0.25	CHECKED BY M. SASAO	DATE '03/03/31	MOLEX INCORPORATED		
	30 OVER	±0.3	APPROVED BY M. SASAO	DATE '03/03/31	DOCUMENT NO. SD-55560-007	SHEET NO. 2 OF 5	
ANGULAR ±3°		DRAFT WHERE APPLICABLE MUST REMAIN WITHIN DIMENSIONS		SEE CHART		THIS DRAWING CONTAINS INFORMATION THAT IS PROPRIETARY TO MOLEX INCORPORATED AND SHOULD NOT BE USED WITHOUT WRITTEN PERMISSION	

ib_frame_A3_J_ME_S
Rev. E 2006/04/15

9 8 7 6 5 4 3 2 1 EN-02JA(021)

10 9 8 7 6 5 4 3 2 1



SECT: Y-Y

SECTION X-X
SCALE 5:1

24mm幅キャリアテープ
24mm WIDTH CARRIER TAPE

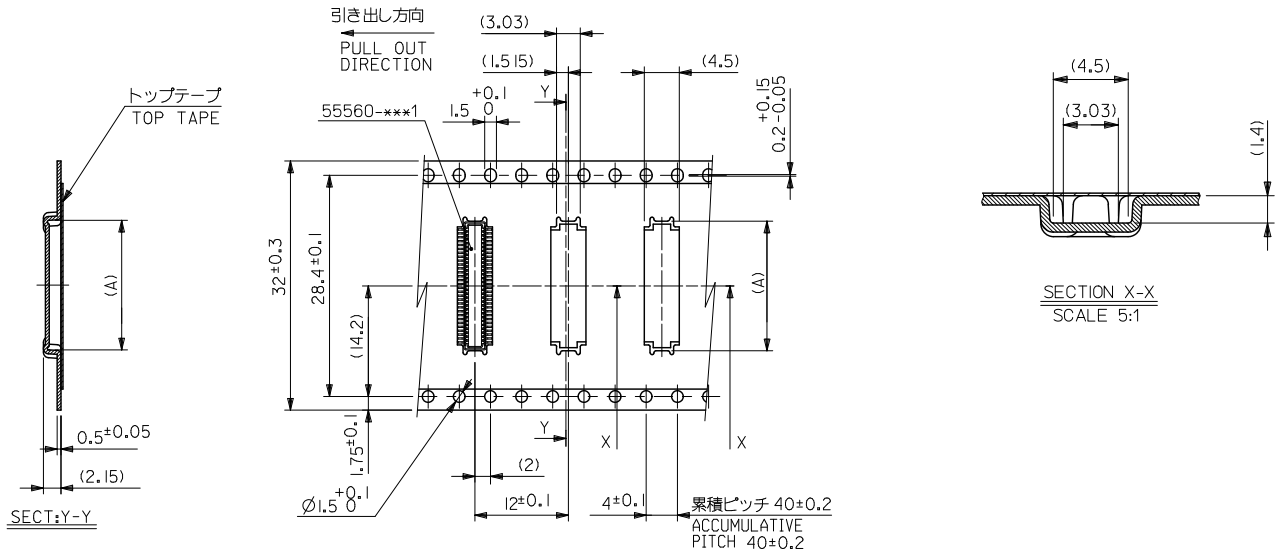
24	25.5	14.15	55560-0507	55560-***7	50	
		11.65	55560-0407		40	
		10.15	55560-0347		34	
		9.15	55560-0307		30	
		7.65	55560-0247		24	
		7.15	55560-0227		22	
キャリアテープ幅 CARRIER TAPE WIDTH		B	(A)	MATERIAL No.	MODEL No.	極数 CIRCUIT

REVISED EC NO: J2010-1529 DRW: YONODZ CHK: D. SMARYAMA APPR: M. SASAO 2010/01/28 2010/02/01 2010/02/02	GENERAL TOLERANCES (UNLESS SPECIFIED)		DIMENSION STYLE MM ONLY		SCALE ---	DESIGN UNITS METRIC	THIRD ANGLE PROJECTION
	10 UNDER	±0.2	DRAWN BY S. AIHARA	DATE '00/10/06	TITLE 0.5 B-T0-B PLUG ASSY (HGT=1.5) EMBSTP PKG (SHEET 3 OF 5)		
	10 OVER 30 UNDER	±0.25	CHECKED BY M. SASAO	DATE '03/03/31	MOLEX INCORPORATED		
	30 OVER	±0.3	APPROVED BY M. SASAO	DATE '03/03/31	MATERIAL NO. SEE TABLE	DOCUMENT NO. SD-55560-007	SHEET NO. 3 OF 5
	ANGULAR ±3 °		THIS DRAWING CONTAINS INFORMATION THAT IS PROPRIETARY TO MOLEX INCORPORATED AND SHOULD NOT BE USED WITHOUT WRITTEN PERMISSION				
DRAFT WHERE APPLICABLE MUST REMAIN WITHIN DIMENSIONS							

tb_frame_A3_J_ME_S
Rev. E 2006/04/15

9 8 7 6 5 4 3 2 1 EN-02JA(021)

10 9 8 7 6 5 4 3 2 1

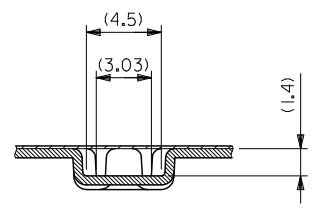
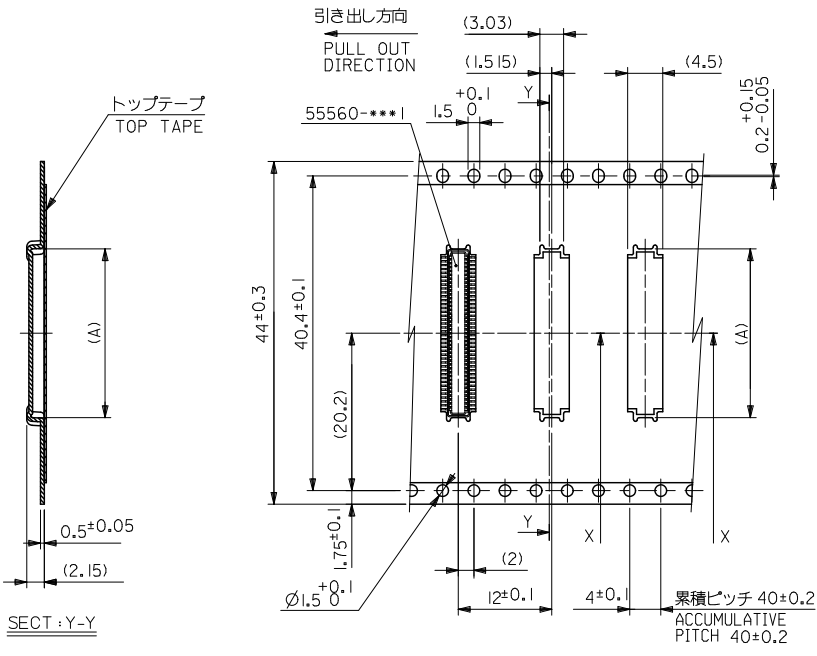


32mm幅キャリアテープ
32mm WIDTH CARRIER TAPE

32	33.5	16.65	55560-0607	55560-***7	60
キャリアテープ幅 CARRIER TAPE WIDTH	B	(A)	MATERIAL No.	MODEL No.	極数 CIRCUIT

REVISED EC NO: J2010-1529 DRW: YON002 CHK: D-SHARUYAMA APPR: M-SASAO 2010/01/28 2010/02/01 2010/02/02	GENERAL TOLERANCES (UNLESS SPECIFIED)		DIMENSION STYLE MM ONLY		SCALE ---	DESIGN UNITS METRIC	THIRD ANGLE PROJECTION
	10 UNDER	±0.2	DRAWN BY T. YASUI	DATE '02/03/06	TITLE 0.5 B-T0-B PLUG ASSY (HGT=1.5) EMBSTP PKG (SHEET 4 OF 5)		
	10 OVER 30 UNDER	±0.25	CHECKED BY M. SASAO	DATE '03/03/31	MOLEX INCORPORATED		
	30 OVER	±0.3	APPROVED BY M. SASAO	DATE '03/03/31	DOCUMENT NO. SD-55560-007	SHEET NO. 4 OF 5	
ANGULAR ±3 °		DRAFT WHERE APPLICABLE MUST REMAIN WITHIN DIMENSIONS		MATERIAL NO. SEE CHART		THIS DRAWING CONTAINS INFORMATION THAT IS PROPRIETARY TO MOLEX INCORPORATED AND SHOULD NOT BE USED WITHOUT WRITTEN PERMISSION	

10 9 8 7 6 5 4 3 2 1



SECTION X-X
SCALE 5:1

44mm幅キャリアテープ
44mm WIDTH CARRIER TAPE

44	45.5	21.65	55560-0807	55560-***7	80
キャリアテープ幅 CARRIER TAPE WIDTH	B	(A)	MATERIAL No.	MODEL No.	極数 CIRCUIT

REVISED EC NO: J2010-1529 DRW: YON02 CHK: D.S.MARYAMA APPR: M.SASAO 2010/01/28 2010/02/01 2010/02/01	GENERAL TOLERANCES (UNLESS SPECIFIED)		DIMENSION STYLE MM ONLY		SCALE ---	DESIGN UNITS METRIC	THIRD ANGLE PROJECTION
	10 UNDER	±0.2	DRAWN BY S. AIHARA	DATE '00/10/06	TITLE 0.5 B-T0-B PLUG ASSY (HGT=1.5) EMBSTP PKG (SHEET 5 OF 5)		
	10 OVER 30 UNDER	±0.25	CHECKED BY M. SASAO	DATE '03/03/31	MOLEX INCORPORATED		
	30 OVER	±0.3	APPROVED BY M. SASAO	DATE '03/03/31	MATERIAL NO. SEE CHART	DOCUMENT NO. SD-55560-007	SHEET NO. 5 OF 5
ANGULAR ±3 °		DRAFT WHERE APPLICABLE MUST REMAIN WITHIN DIMENSIONS		THIS DRAWING CONTAINS INFORMATION THAT IS PROPRIETARY TO MOLEX INCORPORATED AND SHOULD NOT BE USED WITHOUT WRITTEN PERMISSION			