

10 9 8 7 6 5 4 3 2 1

注記 NOTES

1. 使用材料 MATERIAL

ウェハ: 液晶ポリマー (LCP) ガラス充填 UL94V-0 (黒)  
 WAFER: LIQUID CRYSTAL POLYMER (GLASS FILLED)  
 UL94V-0 (COLOR:BLACK)

ピン: 黄銅 (t=0.1)  
 PIN: BRASS (t=0.1)

金具: 0.4青銅 (t=0.12)  
 FITTING NAIL: PHOSPHOR BRONZE (t=0.12)

2. メッキ仕様 PLATING

ピン PIN

金メッキ 0.2マイクロメートル以上 (コンタクト部)  
 GOLD 0.2 MICROMETER MINIMUM (CONTACT AREA)

金メッキ 0.4マイクロメートル以下 (テール部)  
 GOLD 0.4 MICROMETER MAXIMUM (TAIL AREA)

下地メッキ: ニッケルメッキ 1.5 マイクロメートル以上  
 UNDER PLATING: NICKEL 1.5 MICROMETER MINIMUM

金具 FITTING NAIL

半田付け処理 (金・パラジウムコート)  
 SOLDERABILITY IMPROVEMENT COAT (Au & Pd-Ni COAT)

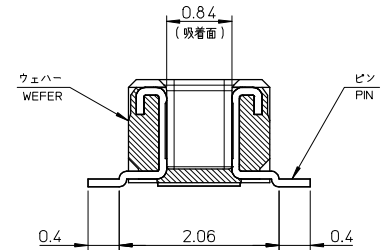
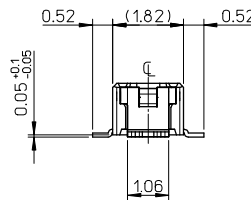
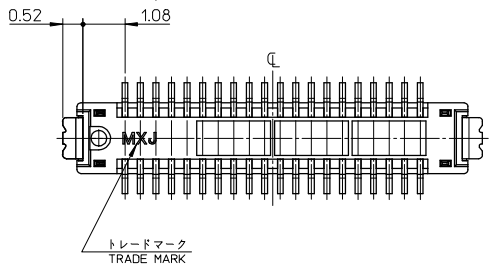
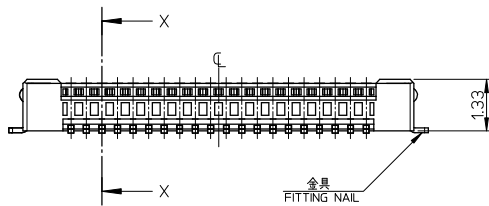
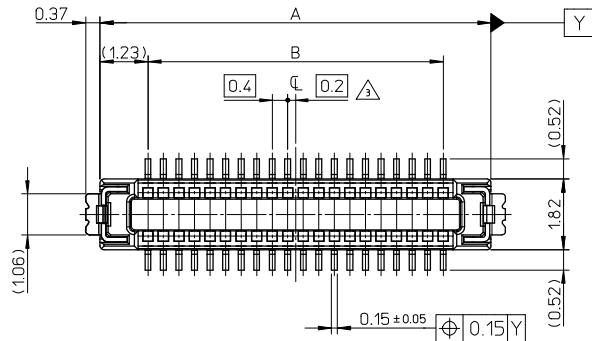
下地メッキ: ニッケルメッキ 1.0 マイクロメートル以上  
 UNDER PLATING: NICKEL 1.0 MICROMETER MINIMUM

△ (全極数/2) = 偶数の場合に適用.  
 APPLY OFR (CIRCUIT/2)-EVEN.

4. 嵌合相手: 501635 シリーズ  
 MATE WITH: 501635 SERIES.

5. テール平坦度は、0.08 以下  
 テール及び金具の平坦度は、0.1 以下  
 TAIL COPLANARITY TO BE 0.08 MAXIMUM  
 TAIL AND FITTING NAIL  
 COPLANARITY TO BE 0.1 MAXIMUM

6. ELV AND RoHS COMPLIANT.

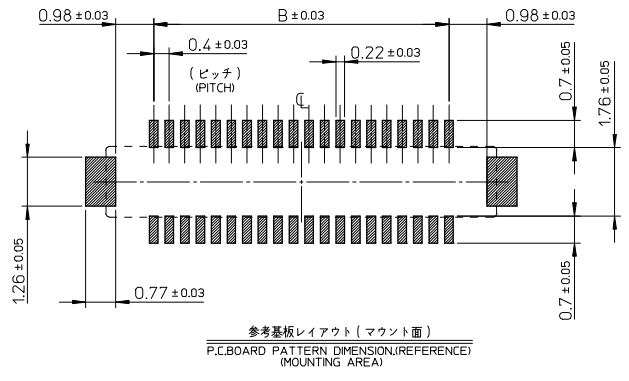
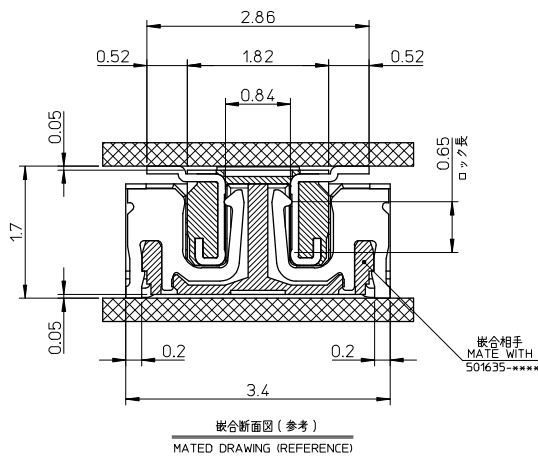


SECTION X-X

11.6	14.06	501639-0610	501639-0619	60
9.6	12.06	501639-0510	501639-0519	50
7.6	10.06	501639-0410	501639-0419	40
5.6	8.06	501639-0310	501639-0319	30
B	A	EMBOSSED TAPE	MATERIAL No.	CKT.
		ORDER No.		

MODEL No. : 501639-\*\*\*19

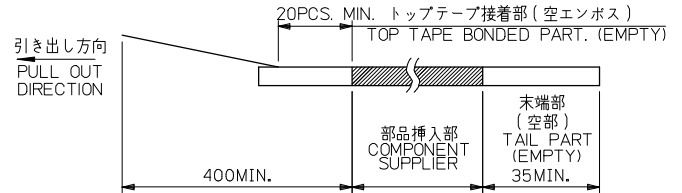
REVISED EC NO: J2009-0386 DRAWN: AOYAGI CHKD: HYAJIMA APPR: NIKITA	DESCRIPTION 2008/08/20 2008/08/20 2008/08/20	GENERAL TOLERANCES (UNLESS SPECIFIED)		DIMENSION STYLE	SCALE	DESIGN UNITS	THIRD ANGLE PROJECTION	
				MM ONLY	10:1	METRIC		
		10 UNDER	± 0.2	DRAWN BY	DATE	TITLE		
		10 OVER 30 UNDER	± 0.25	RTAKEUCH	2005/10/27	0.4 B-TO-B CONN. HGT=1.7 PLUG ASSY [OVERMOLD]		
		30 OVER	± 0.3	CHECKED BY	DATE			
		ANGULAR	± 3 °	THIRATA	2005/10/27			
DRAFT WHERE APPLICABLE MUST REMAIN WITHIN DIMENSIONS				APPROVED BY	DATE	MOLEX INCORPORATED		
				MSASAO	2005/10/27	SD-501639-001		
				MATERIAL NO.	DOCUMENT NO.	SHEET NO.		
				SEE TABLE		1 OF 2		
				SIZE	THIS DRAWING CONTAINS INFORMATION THAT IS PROPRIETARY TO MOLEX INCORPORATED AND SHOULD NOT BE USED WITHOUT WRITTEN PERMISSION			
				A3				



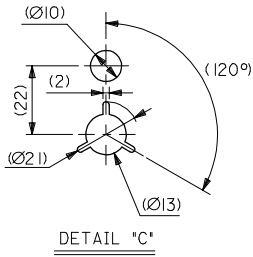
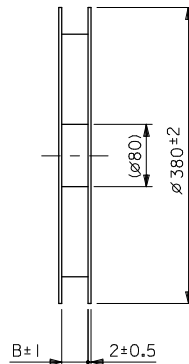
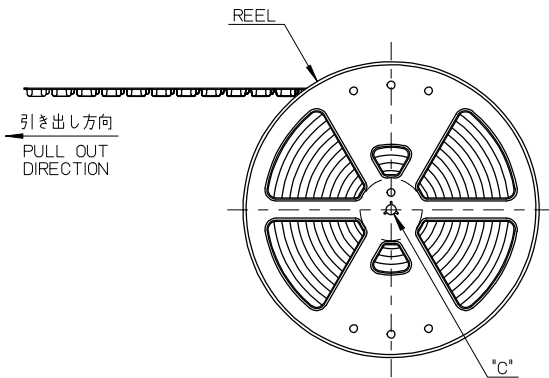
REVISED EC NO: JZ009-0386 DRAWN: YADYAGI CHK: KHYA JIMA APPR: NUKITA	DESCRIPTION 2008/08/20 2008/08/20 2008/08/20	GENERAL TOLERANCES (UNLESS SPECIFIED)		DIMENSION STYLE MM ONLY		SCALE 10:1	DESIGN UNITS METRIC	THIRD ANGLE PROJECTION	
		10 UNDER	± 0.2	DRAWN BY RTAKEUCH	DATE 2005/10/27	TITLE 0.4 B-TO-B CONN. HGT=1.7 PLUG ASSY [OVERMOLD]			
		10 OVER 30 UNDER	± 0.25	CHECKED BY THIRATA	DATE 2005/10/27	MOLEX INCORPORATED			
		30 OVER	± 0.3	APPROVED BY MSASAO	DATE 2005/10/27				
ANGULAR ± 3 °		DRAFT WHERE APPLICABLE MUST REMAIN WITHIN DIMENSIONS		MATERIAL NO. SEE SHEET 1	DOCUMENT NO. SD-501639-001	SHEET NO. 2 OF 2			

注記 NOTES

- 製品詳細寸法については製品単体図面を参照下さい。  
RE DETAILED DIMENSION, SEE PRODUCT DRAWING.
- 梱包数量: 5000 個/リール  
NUMBER OF CONNECTORS : 5000PCS/REEL
- リードテープ長さ LEAD TAPE LENGTH

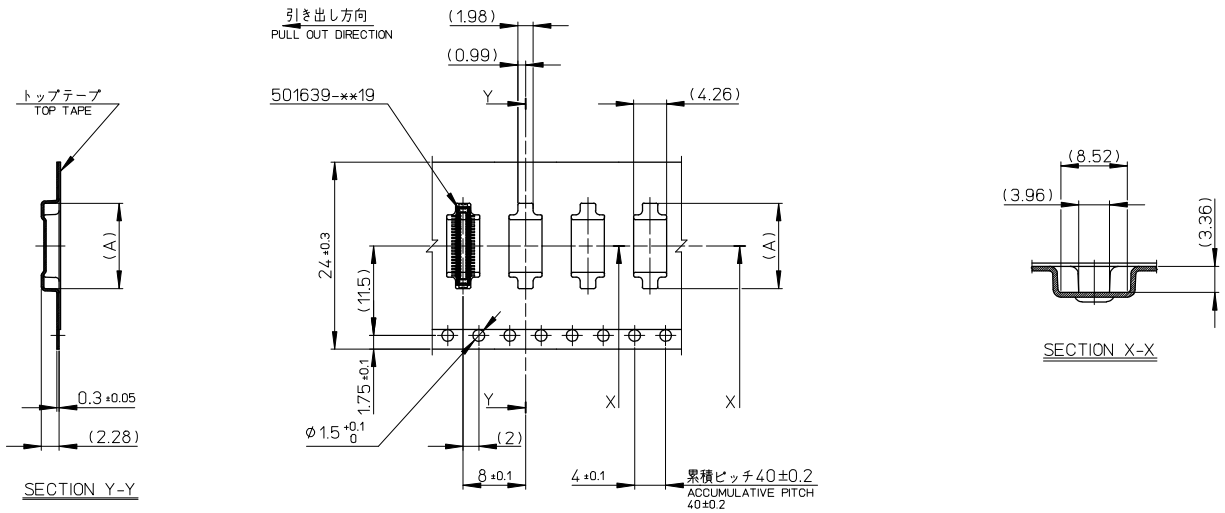


- 材料 MATERIAL  
 キャリアテープ (CARRIER TAPE): ポリスチレン (POLYSTYRENE)  
 トップテープ (TOP TAPE): PET, PE, PEF  
 リール (REEL): ポリスチレン (PS) <リサイクル材を含む>  
 POLYSTYRENE (PS) <RECYCLE MATERIAL CONTAINED>
- ELV AND RoHS COMPLIANT.



REVISED		EC NO: J2009-0386		2008/08/20		DRAWN BY RTAKEUCHI		DATE 2005/10/27		TITLE 0.4 B-T0-B CONN. HGT=1.7 PLUG ASSY EMBSTP PKG	
B		DRW:YAAYAGI		2008/08/20		CHECKED BY THIRATA		DATE 2005/10/27		MOLEX MOLEX INCORPORATED	
REV		APPR:NIKIITA		2008/08/20		APPROVED BY MSASAO		DATE 2005/10/27		DOCUMENT NO. SD-501639-002	
DESCRIPTION		GENERAL TOLERANCES (UNLESS SPECIFIED)		DIMENSION STYLE MM ONLY		SCALE ---		DESIGN UNITS METRIC		THIRD ANGLE PROJECTION	
		10 UNDER ±---		DRAWN BY RTAKEUCHI		DATE 2005/10/27					
		10 OVER 30 UNDER ±---		CHECKED BY THIRATA		DATE 2005/10/27					
		30 OVER ±---		APPROVED BY MSASAO		DATE 2005/10/27					
		ANGULAR ±---		MATERIAL NO. SEE SHEET 2		DOCUMENT NO. SD-501639-002				SHEET NO. 1 OF 2	
		DRAFT WHERE APPLICABLE MUST REMAIN WITHIN DIMENSIONS		SIZE A3		THIS DRAWING CONTAINS INFORMATION THAT IS PROPRIETARY TO MOLEX INCORPORATED AND SHOULD NOT BE USED WITHOUT WRITTEN PERMISSION					

10 9 8 7 6 5 4 3 2 1



24mm 幅キャリアテープ  
24mm WIDTH CARRIER TAPE

24	25.5	14.96	501639-0610	60
		12.96	501639-0510	50
		10.96	501639-0410	40
		8.96	501639-0310	30
キャリアテープ幅 CARRIER TAPE WIDTH		B	(A)	MATERIAL No. CKT. MODEL No. 501639-**10

REVISED E.C. NO: J2009-0386 DRAWN BY: YAGI CHECKED BY: IMA APPROVED BY: IMA DATE: 2008/08/20 DATE: 2008/08/20 DATE: 2008/08/20	GENERAL TOLERANCES (UNLESS SPECIFIED)		DIMENSION STYLE MM ONLY		SCALE ---	DESIGN UNITS METRIC	THIRD ANGLE PROJECTION
	10 UNDER	±---	DRAWN BY RTAKEUCHI	DATE 2005/10/27	TITLE 0.4 B-T0-B CONN. HGT=1.7 PLUG ASSY EMBSTP PKG		
	10 OVER	±---	CHECKED BY THIRATA	DATE 2005/10/27	APPROVED BY MSASAO		
	30 OVER	±---	DATE 2005/10/27	MATERIAL NO. SEE TABLE			
ANGULAR ±---		DRAFT WHERE APPLICABLE MUST REMAIN WITHIN DIMENSIONS		DOCUMENT NO. SD-501639-002		SHEET NO. 2 OF 2	