



(2,00mm) .0787"

HDAM, HDAF SERIES



HDAM-11-12.0-S-13-2



HDAF-11-08.0-S-13-2

RUGGED ELEVATED HIGH DENSITY ARRAY

HDAM Mates with:
HDAF
HDAF Mates with:
HDAM

SPECIFICATIONS

For complete specifications and recommended PCB layouts see www.samtec.com?HDAM or www.samtec.com?HDAF

Insulator Material:

Black LCP

Contact Material:

Copper Alloy

Current Rating:

2.3A @ 80°C ambient

Operating Temp Range:

-55°C to +125°C

Plating:

Au or Sn over

50µ" (1,27µm) Ni

Contact Resistance:

19 mΩ max

Working Voltage:

200 VAC

Mated Cycles:

100

RoHS Compliant:

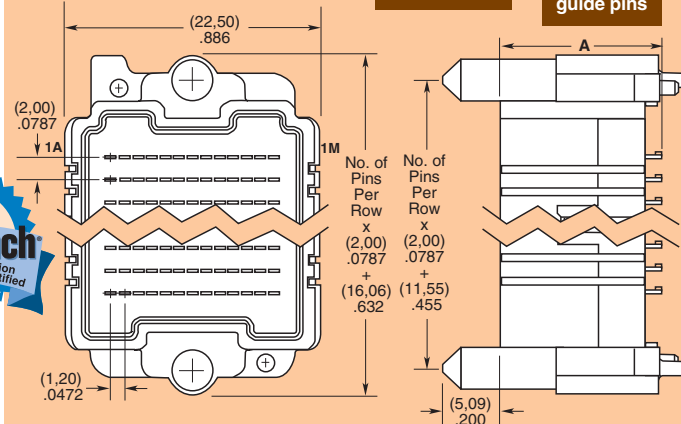
Yes

Lead-Free Solderable:

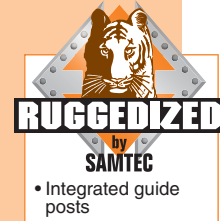
Yes



HDAM	NO. OF PINS PER ROW	LEAD STYLE	PLATING OPTION	NO. OF ROWS	SOLDER TYPE	OTHER OPTION
	-11, -15, -23	Specify LEAD STYLE from chart	-S = 30µ" (0,76µm) Gold on contact area, Matte Tin on tails and guide pins	-13	-2 = Lead-Free Tin Alloy 95.5% Sn/ 3.8% Ag/0.7% Cu Solder Charge	-P = Pick & Place Pad



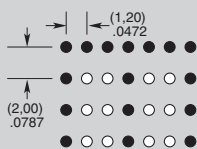
LEAD STYLE	A
-12.0	(14,41) .567
-17.0	(19,41) .764



35mm Stack Height	Rated @ 3dB Insertion Loss*
Single-Ended Signaling	9.0 GHz / 18.0 Gbps
Differential Pair Signaling	9.0 GHz / 18.0 Gbps

*Data based on simulations using Final Inch® design.
Performance data for other stack heights and complete test data available at www.samtec.com?HDAM, www.samtec.com?HDAF or contact sig@samtec.com

DIFFERENTIAL APPLICATIONS



ARRAY	PAIR COUNT*
11x13	44
15x13	60
23x13	92

*2:1 S:G Ratio

ALSO AVAILABLE

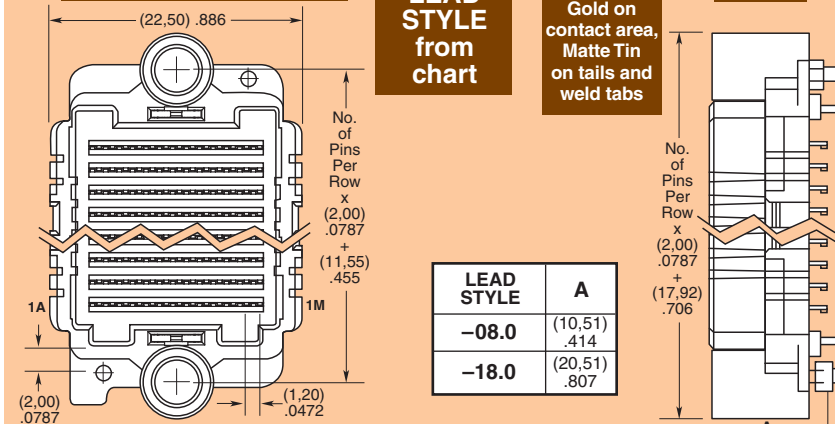
Tin-Lead Solder Charge.
Call Samtec.

Note: Other Gold plating options available. Contact Samtec.

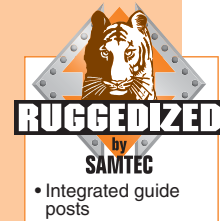
Note: HD Mezz is a trademark of Molex Incorporated

Note: Some lengths, styles and options are non-standard, non-returnable.

HDAF	NO. OF PINS PER ROW	LEAD STYLE	PLATING OPTION	NO. OF ROWS	SOLDER TYPE	OTHER OPTION
	-11, -15, -23	Specify LEAD STYLE from chart	-S = 30µ" (0,76µm) Gold on contact area, Matte Tin on tails and weld tabs	-13	-2 = Lead-Free Tin Alloy 95.5% Sn/ 3.8% Ag/ 0.7% Cu Solder Charge	-P = Pick & Place Pad



LEAD STYLE	A
-08.0	(10,51) .414
-18.0	(20,51) .807



Due to technical progress, all designs, specifications and components are subject to change without notice.

WWW.SAMTEC.COM

SAMTEC USA • Tel: 1-800-SAMTEC-9 or 812-944-6733 SAMTEC SILICON VALLEY • Tel: 408-395-5900 SAMTEC SOUTHERN CALIFORNIA • Tel: 1-800-726-8329
 SAMTEC AMERICA LATINA COMERCIO EXTERIOR LTDA • Tel: (+55 31) 3786 3227 SAMTEC UNITED KINGDOM • Tel: 44 01236 739292 SAMTEC GERMANY • Tel: +49 (0) 89 / 89460-0
 SAMTEC FRANCE • Tel: 33 01 60 95 06 60 SAMTEC ITALY • Tel: 39 039 6890337 SAMTEC NORDIC/BALTIC • Tel: +46-84477280 SAMTEC BENELUX • Tel: 44 01236 739292 SAMTEC ISRAEL • Tel: 972-3-7526600
 SAMTEC INDIA • Tel: +91-80-3272 1612 SAMTEC ASIA PACIFIC • Tel: 65 6745-5955 SAMTEC JAPAN • Tel: 045-475-1385 SAMTEC CHINA • Tel: 86-21-61103766 SAMTEC TAIWAN • Tel: 886-2-2735-6109
 SAMTEC HONG KONG • Tel: 852-2600-9858 SAMTEC KOREA • Tel: 82-31-717-5685 SAMTEC ANZ • Tel: 613 9512 7747 SAMTEC SOUTH AFRICA • Tel: 27 11 452 8112