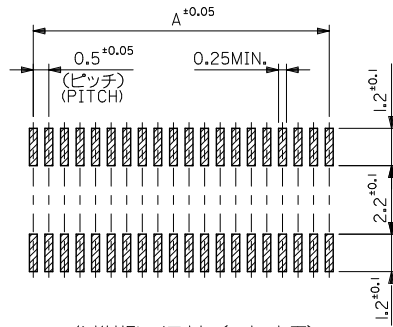
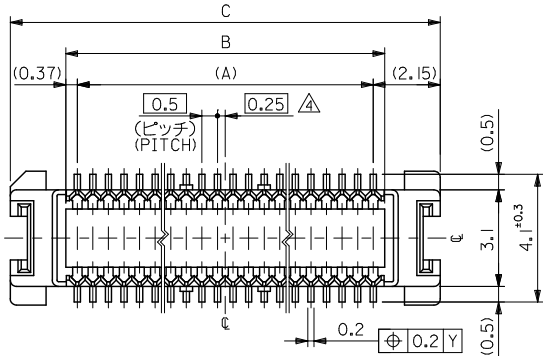
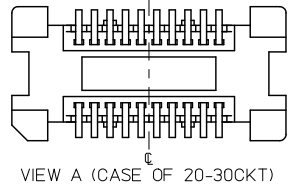
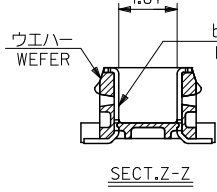
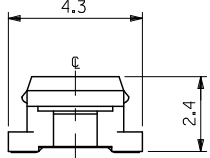
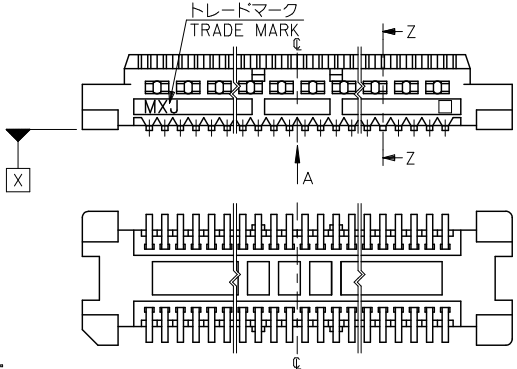


10 9 8 7 6 5 4 3 2 1



参考基板レイアウト (マウント面)
P.C. BOARD PATTERN
DIMENSION. (REF.)
(MOUNTING AREA)



- 注記 NOTES:
1. 使用材料 MATERIAL
ハウジング: LCPガラス入り (白), UL94V-0
HOUSING: LCP(G.F.)(COLOR: WHITE), UL94V-0
ターミナル: 黄銅 (t=0.15)
TERMINAL: BRASS (t=0.15)
 2. メッキ仕様 PLATING
全体仕上げ: 金メッキ 0.1 MICROMETER MIN.
ALL OVER: GOLD 0.1 MICROMETER MIN.
下地メッキ: ニッケルメッキ 1.5 MICROMETER MIN.
UNDER PLATING: NICKEL 1.5 MICROMETER MIN.
 3. 基準面 X からのソルダテールの半田付け面のズレ量は、上方向 0 下方向 0.15MAX. とする。
MISALIGNMENT OF SOLDER TAIL FROM X
: UPPER DIRECTION 0, LOWER DIRECTION 0.15 MAX.
 4. (全極数/2) = 偶数の場合に適用。
APPLY FOR (CIRCUIT/2)=EVEN.
 - 5 嵌合相手: 52991 シリーズ 54167 シリーズ
MATE WITH: 52991 SERIES, 54167 SERIES.

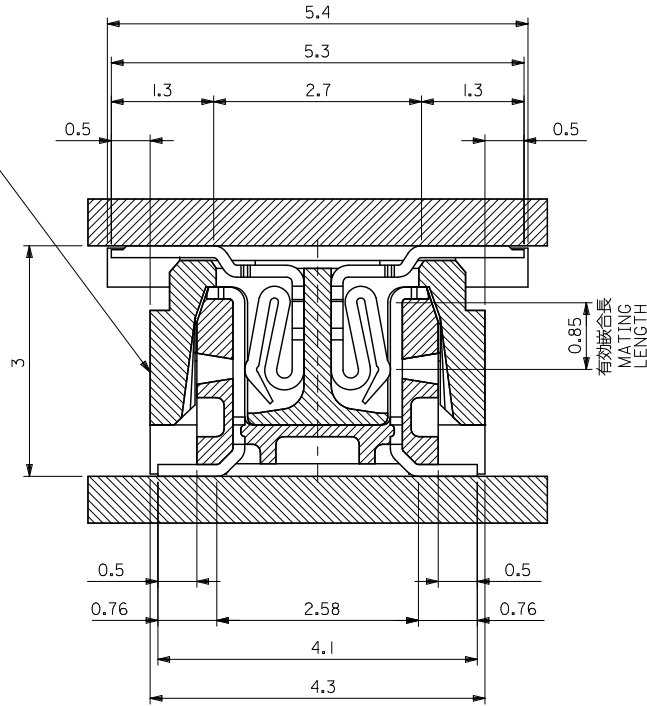
- 6 テール平坦度は、0.1MAX.
TAIL COPLANARITY TO BE 0.1MAX.
7. ELV 及び RoHS 適合品
ELV AND RoHS COMPLIANT

23.8	20.24	19.5	53748-0808	53748-0800	80
21.3	17.74	17.0	53748-0708	53748-0700	70
18.8	15.24	14.5	53748-0608	53748-0600	60
13.8	10.24	9.5	53748-0408	53748-0400	40
11.3	7.74	7.0	53748-0308	53748-0300	30
8.8	5.24	4.5	53748-0208	53748-0200	20
C	B	A	EMBOSSED TAPE ORDER No.	MATERIAL NO.	極数 CIRCUIT

REVISED EC NO: J2010-1926 D DRW: KTOYODA 2010/03/24 CHK: S. MARYAMA 2010/03/26 APP: M. SASAO 2010/03/29	GENERAL TOLERANCES (UNLESS SPECIFIED)		DIMENSION STYLE MM ONLY	SCALE 8:1	DESIGN UNITS METRIC	THIRD ANGLE PROJECTION
	10 UNDER	±0.2	DRAWN BY S. AIHARA	DATE '96/2/27	TITLE 0.5 B-T0-B CONN PLUG ASSY (W/O BOSS, W/O NAIL)	
	10 OVER 30 UNDER	±0.25	CHECKED BY M. SASAO	DATE '01/12/26	MOLEX INCORPORATED	
	30 OVER	±0.3	APPROVED BY M. SASAO	DATE '01/12/26	DOCUMENT NO. SD-53748-002	SHEET NO. 1 OF 2
	ANGULAR ±3°	DRAFT WHERE APPLICABLE MUST REMAIN WITHIN DIMENSIONS	MATERIAL NO. SEE TABLE	THIS DRAWING CONTAINS INFORMATION THAT IS PROPRIETARY TO MOLEX INCORPORATED AND SHOULD NOT BE USED WITHOUT WRITTEN PERMISSION		

10 9 8 7 6 5 4 3 2 1

嵌合相手 MATE WITH
52991-***0 (白 WHITE)
54167-***1 (黒 BLACK)



嵌合断面図 (参考)
MATED DRAWING (REF.)

MODEL NO. 53748-***0

REVISED EEC NO: J2010-1926 /DRW:KTOYODA 2010/03/24 /CHK:D.SHRUYAMA '01/12/26 /APP:R.M.SASAO 2010/03/29 D REV DESCRIPTION	GENERAL TOLERANCES (UNLESS SPECIFIED)		DIMENSION STYLE MM ONLY		SCALE 8:1	DESIGN UNITS METRIC	THIRD ANGLE PROJECTION
	10 UNDER	± ---	DRAWN BY S. AIHARA	DATE '96/2/27	TITLE 0.5 B-T0-B CONN PLUG ASSY (W/O BOSS, W/O NAIL)		
	10 OVER 30 UNDER	± ---	CHECKED BY M. SASAO	DATE '01/12/26	MOLEX INCORPORATED		
	30 OVER	± ---	APPROVED BY M. SASAO	DATE '01/12/26	MATERIAL NO. SEE TABLE	DOCUMENT NO. SD-53748-002	SHEET NO. 2 OF 2
ANGULAR ± --- °		DRAFT WHERE APPLICABLE MUST REMAIN WITHIN DIMENSIONS		THIS DRAWING CONTAINS INFORMATION THAT IS PROPRIETARY TO MOLEX INCORPORATED AND SHOULD NOT BE USED WITHOUT WRITTEN PERMISSION			

ib_frame_A3_J_ME_S
Rev. E 2006/04/15

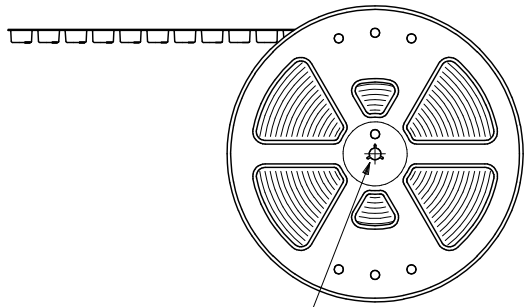
9 8 7 6 5 4 3 2 1 EN-02JA(021)

10 9 8 7 6 5 4 3 2 1

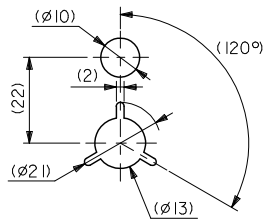
NOTES

1. 製品詳細寸法については図面 SD-53748-002 を参照下さい。
RE DETAILED DIMENSION, SEE SD-53748-002
2. 梱包数量：3000個/リール
NUMBER OF CONNECTORS : 3000PCS/REEL
3. リードテープ長さ LEAD TAPE LENGTH

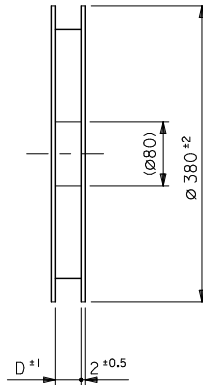
引き出し方向
PULL OUT
DIRECTION



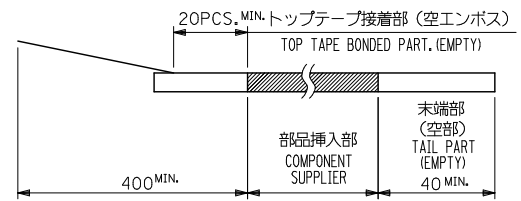
"F"



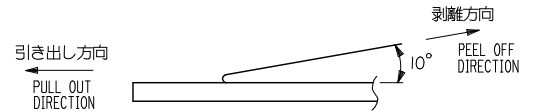
DETAIL "F"



引き出し方向
PULL OUT
DIRECTION



4. トップテープの剥離強度：0.1N ~ 0.7N(10.2gf ~ 71.4gf)
(剥離方向は下図参照)
尚、本規格値は出荷時に適用。(但し、輸送時に剥離が発生しないこと。)
PEELING OFF FORCE OF TOP TAPE : 0.1N ~ 0.7N(10.2gf ~ 71.4gf)
(PEELING DIRECTION AS SHOWN IN FOLLOWING FIG.)
THIS REQUIREMENT SHOULD BE APPLIED AT SHIPMENT.
PEEL OFF SHOULD NOT BE ALLOWED , DURING TRANSPORTATION.

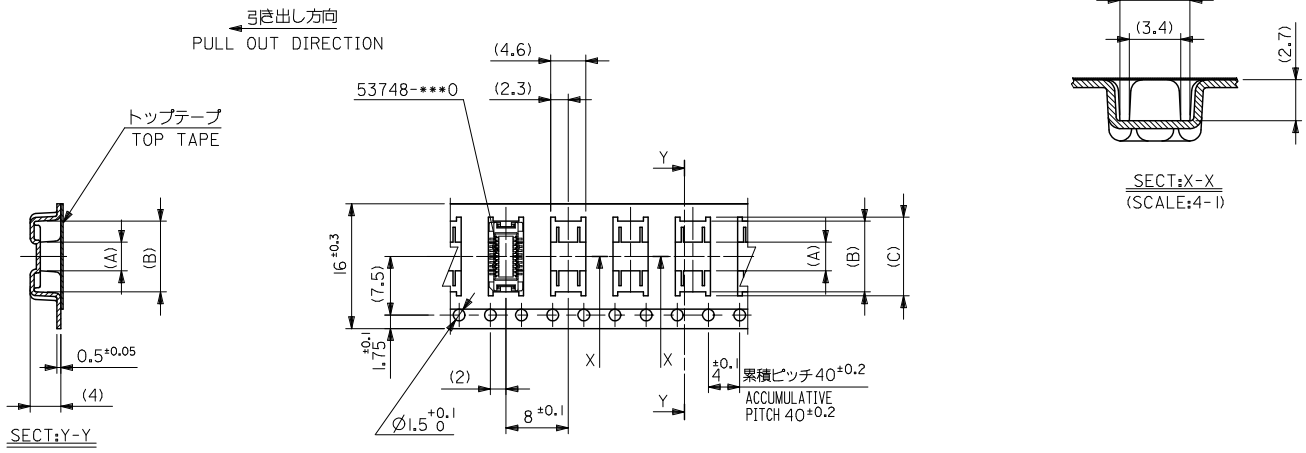


5. 材料 (MATERIAL)
キャリアテープ (CARRIER TAPE) : ポリプロピレン (POLYPROPYLENE)
トップテープ (TOPTAPE) : PET , PE , PEF
リール (REEL) : ポリスチレン (PS) <リサイクル材を含む>
POLYSTYREN(PS) <RECYCLE MATERIAL CONTAINED>

MODEL NO. 53748-***8

REVISED EC NO: J2009-0487 DRAWN: KANAKURA 2008/12/08 CHKD: HARUYAMA 2008/12/08 APPR: NIKITA 2009/01/09	GENERAL TOLERANCES (UNLESS SPECIFIED)		DIMENSION STYLE MM ONLY	SCALE ---	DESIGN UNITS METRIC	THIRD ANGLE PROJECTION
	10 UNDER	±0.2	DRAWN BY T. NIITSU	DATE '95/10/17	TITLE 0.5 BTB CONN PLUG (BOSS, NAIL, EMBSTP) PKG	
	10 OVER 30 UNDER	±0.25	CHECKED BY T. ITO	DATE '01/1/23	MOLEX INCORPORATED	
	30 OVER	±0.3	APPROVED BY M. FUKUSHIMA	DATE '01/1/23	DOCUMENT NO. SD-53748-005	SHEET NO. 1 OF 5
	ANGULAR ±3°	DRAFT WHERE APPLICABLE MUST REMAIN WITHIN DIMENSIONS	MATERIAL NO. SEE TABLE	THIS DRAWING CONTAINS INFORMATION THAT IS PROPRIETARY TO MOLEX INCORPORATED AND SHOULD NOT BE USED WITHOUT WRITTEN PERMISSION		

10 9 8 7 6 5 4 3 2 1

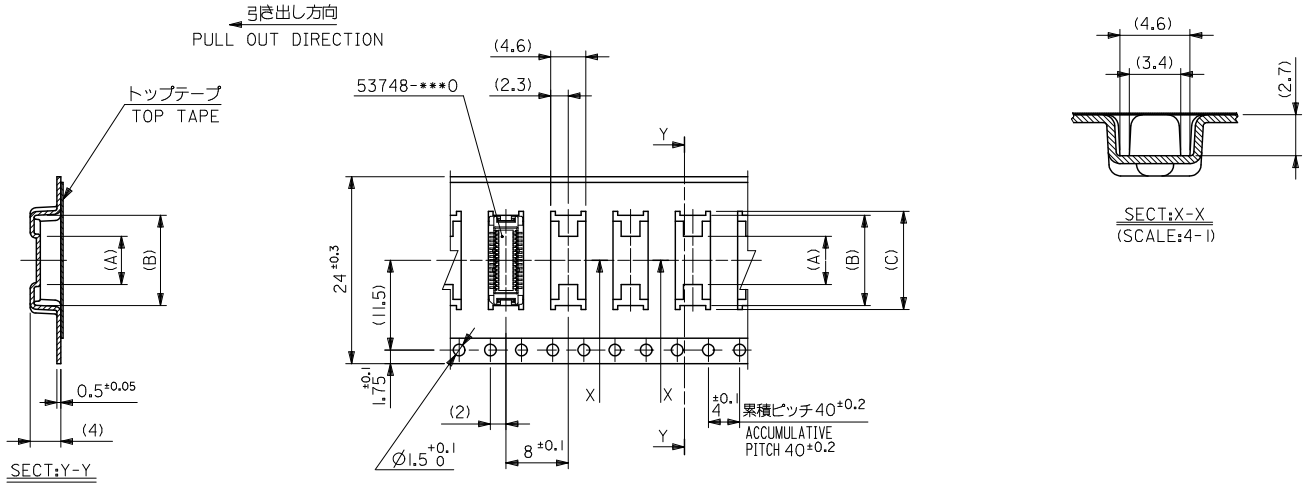


16mm幅キャリアテープ
16mm WIDTH CARRIER TAPE

16	17.5	10.1	9.1	3.7	53748-0208	20
キャリアテープ幅 CARRIER TAPE WIDTH	D	(C)	(B)	(A)	MATERIAL NO.	種数 CKT.
MODEL NO.						53748-***8

REVISED EC NO: J2009-0487 DRAWN: KANAKURA 2008/12/08 CHKD: HARUYAMA 2008/12/08 APPR: NIKITA 2009/01/09	GENERAL TOLERANCES (UNLESS SPECIFIED)		DIMENSION STYLE MM ONLY		SCALE ---	DESIGN UNITS METRIC	THIRD ANGLE PROJECTION
	10 UNDER	±---	DRAWN BY T. NIITSU	DATE '95/10/17	TITLE 0.5 BTB CONN PLUG(W/O BOSS W/O NAIL)EMBSTP PKG		
	10 OVER 30 UNDER	±---	CHECKED BY T. ITO	DATE '01/1/23	APPROVED BY M. FUKUSHIMA		
	30 OVER	±---	APPROVED BY M. FUKUSHIMA	DATE '01/1/23	MOLEX INCORPORATED		
DESCRIPTION	ANGULAR	±--- °	MATERIAL NO. SEE TABLE		DOCUMENT NO. SD-53748-005	SHEET NO. 2 OF 5	
REV	DRAFT WHERE APPLICABLE MUST REMAIN WITHIN DIMENSIONS		THIS DRAWING CONTAINS INFORMATION THAT IS PROPRIETARY TO MOLEX INCORPORATED AND SHOULD NOT BE USED WITHOUT WRITTEN PERMISSION				

10 9 8 7 6 5 4 3 2 1



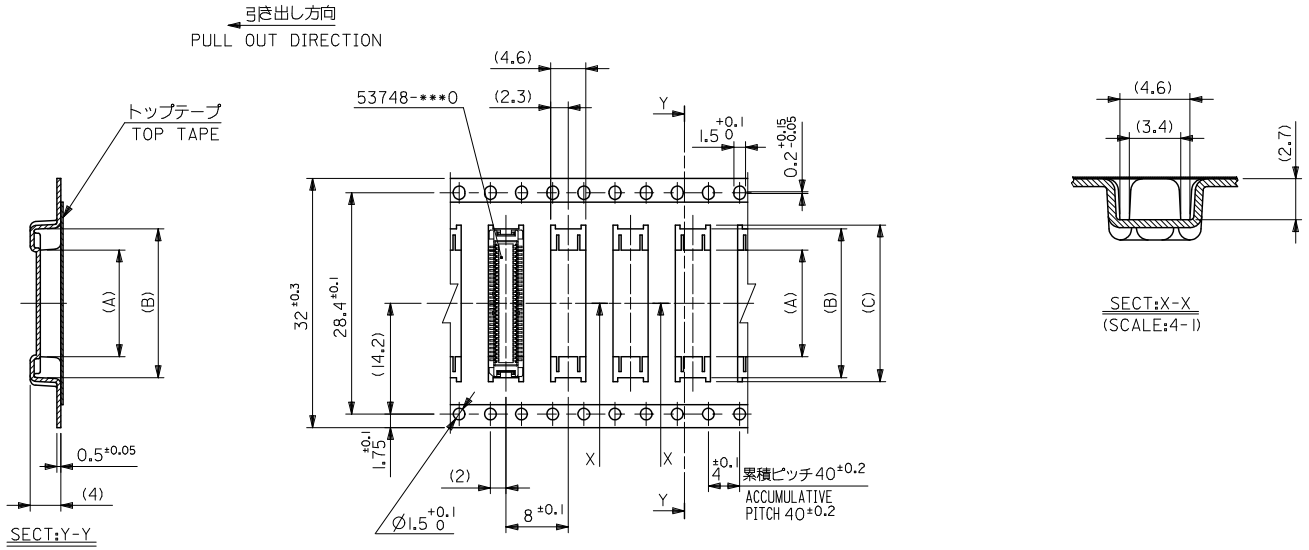
24mm幅キャリアテープ
24mm WIDTH CARRIER TAPE

24	25.5	15.1	14.1	7.4	53748-0408	40
キャリアテープ幅 CARRIER TAPE WIDTH	D	(C)	(B)	(A)	53748-0308	30

MODEL NO. 53748-***8

REVISED EC NO: J2009-0487 DRAWN: KANAKURAA 2008/12/08 CHKD: HARUYAMA 2008/12/08 APPR: NIKITA 2009/01/09	GENERAL TOLERANCES (UNLESS SPECIFIED)		DIMENSION STYLE MM ONLY	SCALE ---	DESIGN UNITS METRIC	THIRD ANGLE PROJECTION
	10 UNDER	±---	DRAWN BY S. AIHARA	DATE '96/4/1	TITLE 0.5 BTB CONN PLUG(W/O BOSS W/O NAIL)EMBSTP PKG	
	10 OVER 30 UNDER	±---	CHECKED BY T. ITO	DATE '01/1/23	APPROVED BY M. FUKUSHIMA	
	30 OVER	±---	DATE '01/1/23	MATERIAL NO. SEE TABLE		DOCUMENT NO. SD-53748-005
ANGULAR ±--- °		DRAFT WHERE APPLICABLE MUST REMAIN WITHIN DIMENSIONS		THIS DRAWING CONTAINS INFORMATION THAT IS PROPRIETARY TO MOLEX INCORPORATED AND SHOULD NOT BE USED WITHOUT WRITTEN PERMISSION		

10 9 8 7 6 5 4 3 2 1



32mm幅キャリアテープ
32mm WIDTH CARRIER TAPE

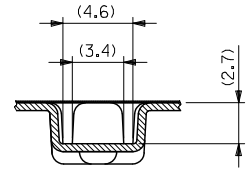
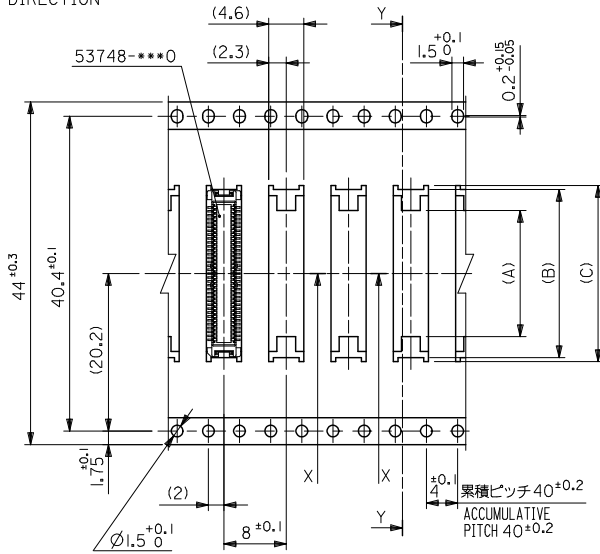
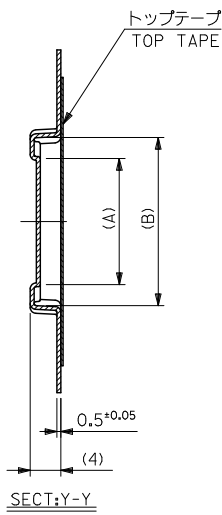
32	33.5	20.1	19.1	13.7	53748-0608	60
キャリアテープ幅 CARRIER TAPE WIDTH	D	(C)	(B)	(A)	MATERIAL NO.	種数 CKT.

MODEL NO. 53748-****8

REVISED EEC NO: J2009-0487 DRAWN: KANAKURAA 2008/12/08 CHECKED: HARUYAMA 2008/12/08 APPROVED: HARUYAMA 2009/01/09 APPR: NIKITA 2009/01/09	GENERAL TOLERANCES (UNLESS SPECIFIED)		DIMENSION STYLE MM ONLY		SCALE ---	DESIGN UNITS METRIC	THIRD ANGLE PROJECTION
	10 UNDER	±---	DRAWN BY S. AIHARA	DATE '95/11/13	TITLE 0.5 BTB CONN PLUG (W/O BOSS W/O NAIL)ENBSTP PKG		
	10 OVER 30 UNDER	±---	CHECKED BY T. ITO	DATE '01/1/23	APPROVED BY M. FUKUSHIMA		
	30 OVER	±---	DATE '01/1/23	MOLEX INCORPORATED			
ANGULAR	±---°	MATERIAL NO. SEE TABLE		DOCUMENT NO. SD-53748-005	SHEET NO. 4 OF 5		
DRAFT WHERE APPLICABLE MUST REMAIN WITHIN DIMENSIONS		THIS DRAWING CONTAINS INFORMATION THAT IS PROPRIETARY TO MOLEX INCORPORATED AND SHOULD NOT BE USED WITHOUT WRITTEN PERMISSION					

10 9 8 7 6 5 4 3 2 1

引き出し方向
PULL OUT DIRECTION



4mm幅キャリアテープ
4mm WIDTH CARRIER TAPE

44	45.5	25.1	24.1	18.7	53748-0808	80
キャリアテープ幅 CARRIER TAPE WIDTH	D	(C)	(B)	(A)	53748-0708	70
					MATERIAL NO.	種数 CKT.
					MODEL NO.	53748-****8

REVISED ELC NO: J2009-0487 DRAWN: M. KURATA 2008/12/08 CHYKDI: HARUYAMA 2008/12/08 APPR: NIKITA 2009/01/09 D REV	GENERAL TOLERANCES (UNLESS SPECIFIED)		DIMENSION STYLE MM ONLY		SCALE ---	DESIGN UNITS METRIC	THIRD ANGLE PROJECTION
	10 UNDER	±---	DRAWN BY T. YASUI	DATE '96/4/16	TITLE 0.5 BTB CONN PLUG(W/O BOSS W/O NAIL)EMBSTP PKG		
	10 OVER 30 UNDER	±---	CHECKED BY T. ITO	DATE '01/1/23			
	30 OVER	±---	APPROVED BY M. FUKUSHIMA	DATE '01/1/23	MOLEX INCORPORATED		
	ANGULAR ±--- °		MATERIAL NO.	SEE TABLE	DOCUMENT NO. SD-53748-005	SHEET NO. 5 OF 5	
DRAFT WHERE APPLICABLE MUST REMAIN WITHIN DIMENSIONS		THIS DRAWING CONTAINS INFORMATION THAT IS PROPRIETARY TO MOLEX INCORPORATED AND SHOULD NOT BE USED WITHOUT WRITTEN PERMISSION					