

注記 NOTES:

1. 使用材料 MATERIAL
 ハウジング: LCPガラス入り(白), UL94V-0
 HOUSING: LCP(G.F.)(COLOR: WHITE), UL94V-0
 ターミナル: リン青銅 (t=0.15)
 TERMINAL: PHOSPHOR BRONZE (t=0.15)
2. メッキ仕様 PLATING
 全体仕上げ: 金メッキ 0.1 MICROMETER MIN.
 ALL OVER: GOLD 0.1 MICROMETER MIN.
 下地メッキ: ニッケルメッキ 1.5 MICROMETER MIN.
 UNDER PLATING: NICKEL 1.5 MICROMETER MIN.
3. 基準面 X からのソルダーテールの半田付け面のズレ量は、上方向 0、下方向 0.15MAX. とする。
 MISALIGNMENT OF SOLDER TAIL FROM X
 : UPPER DIRECTION 0, LOWER DIRECTION 0.15 MAX.

- 5 嵌合相手: 53748 シリーズ 53916 シリーズ 502280 シリーズ
 MATE WITH: 53748 SERIES, 53916 SERIES, 502280 SERIES.
- 6 テール平坦度は、0.1MAX.
 TAIL COPLANARITY TO BE 0.1MAX.

23.8	20.2	19.5	52991-0800	80
21.3	17.7	17.0	-0700	70
18.8	15.2	14.5	-0600	60
16.3	12.7	12.0	-0500	50
13.8	10.2	9.5	-0400	40
11.3	7.7	7.0	-0300	30
8.8	5.2	4.5	52991-0200	20
C	B	A	MATERIAL NO.	極数 CIRCUIT

REVISED REV D	EC NO: J2007-0273	2006/07/28	GENERAL TOLERANCES (UNLESS SPECIFIED)	DIMENSION STYLE MM ONLY	SCALE 8:1	DESIGN UNITS METRIC	THIRD ANGLE PROJECTION
	DRWN: TENAGASE	2006/08/03	10 UNDER ±0.2	DRAWN BY S. AIHARA	DATE '96/02/27	TITLE 0.5 B/B CONN REC HOUSING ASSY(W/O BOSS, W/O NAIL) -LEAD FREE- MOLEX INCORPORATED	
	CHKD: THAYAMA	2006/08/07	10 OVER 30 UNDER ±0.25	CHECKED BY M. SASAO	DATE '01/12/26		
	APPR: NUKITA	2006/08/07	30 OVER ±0.3	APPROVED BY M. SASAO	DATE '01/12/26		
DESCRIPTION	52991-***0	MODEL NO.	MATERIAL NO.	DOCUMENT NO. SD-52991-004	SHEET NO. 1 OF 1		
DRAFT WHERE APPLICABLE MUST REMAIN WITHIN DIMENSIONS			ANGULAR ±3 °	SIZE A3	THIS DRAWING CONTAINS INFORMATION THAT IS PROPRIETARY TO MOLEX INCORPORATED AND SHOULD NOT BE USED WITHOUT WRITTEN PERMISSION		

10 9 8 7 6 5 4 3 2 1

F

E

D

C

B

A

F

E

D

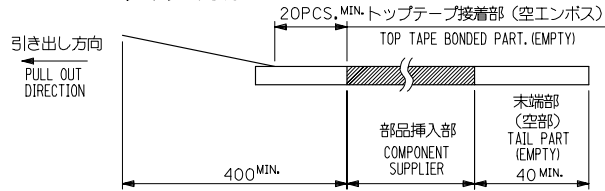
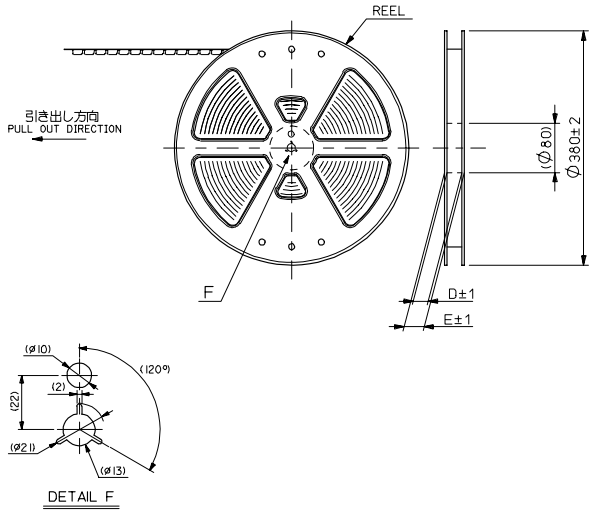
C

B

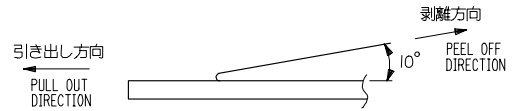
A

NOTES

- 製品詳細寸法については図面 SD-52991-004 を参照下さい。
RE DETAILED DIMENSION, SEE SD-52991-004
- 梱包数量：3000個/リール
NUMBER OF CONNECTORS : 3000PCS/REEL
- リードテープ長さ LEAD TAPE LENGTH



- トップテープの剥離強度：0.1N~1.3N (10gf~130gf) (剥離方向は下図参照)
尚、本規格値は出荷時に適用。(但し、輸送時に剥離が発生しないこと。)
PEELING OFF FORCE OF TOP TAPE : 0.1N~1.3N (10gf~130gf)
(PEELING DIRECTION AS SHOWN IN FOLLOWING FIG.)
THIS REQUIREMENT SHOULD BE APPLIED AT SHIPMENT.
PEEL OFF SHOULD NOT BE ALLOWED , DURING TRANSPORTATION.



- 材料 (MATERIAL)
キャリアテープ (CARRIER TAPE) : ポリプロピレン (POLYPROPYLENE)
トップテープ (TOPTAPE) : PET , PE , PEF
リール (REEL) : ポリスチレン (P.S) <リサイクル材を含む>
POLYSTYREN (P.S) <RECYCLE MATERIAL CONTAINED>

52991-***8 MODEL NO.

REVISED REV. NO. J2006-0604 EC NO. 2005/08/31 DRAWN BY INAHADA CHKD BY OYODA APP. BY NUKITA 2005/09/01 2005/09/09	GENERAL TOLERANCES (UNLESS SPECIFIED)		DIMENSION STYLE MM ONLY		SCALE ---	DESIGN UNITS METRIC	THIRD ANGLE PROJECTION
	10 UNDER	± 0.2	DRAWN BY T. NIITSU	DATE '95/10/17	TITLE 0.5 B/B CONN REC HSG ASSY EMBSTP PKG -LEAD FREE-		
	10 OVER 30 UNDER	± 0.25	CHECKED BY T. ITO	DATE '01/01/31			
	30 OVER	± 0.3	APPROVED BY M. FUKUSHIMA	DATE '01/01/31	MOLEX INCORPORATED		
ANGULAR	± 3 °	MATERIAL NO. SEE CHART		DOCUMENT NO. SD-52991-005			
DRAFT WHERE APPLICABLE MUST REMAIN WITHIN DIMENSIONS		THIS DRAWING CONTAINS INFORMATION THAT IS PROPRIETARY TO MOLEX INCORPORATED AND SHOULD NOT BE USED WITHOUT WRITTEN PERMISSION					

9

8

7

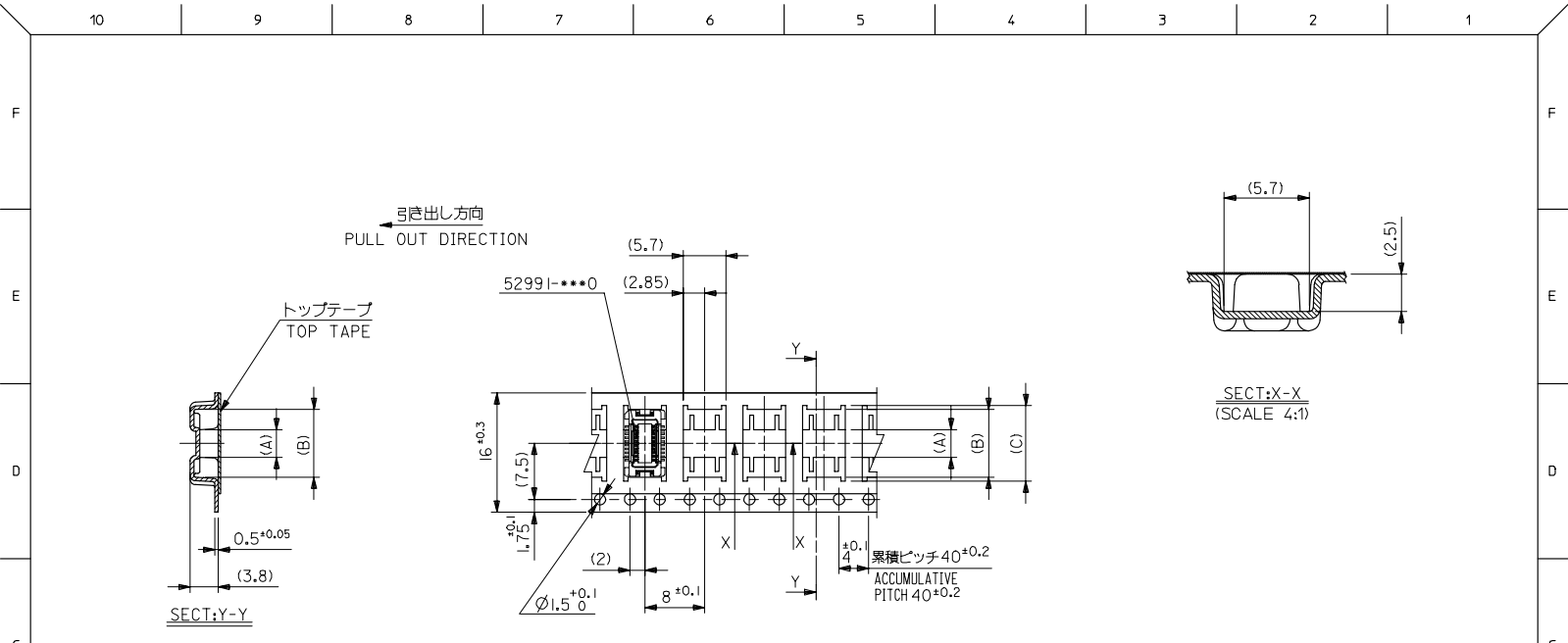
6

5

4

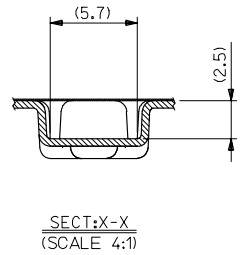
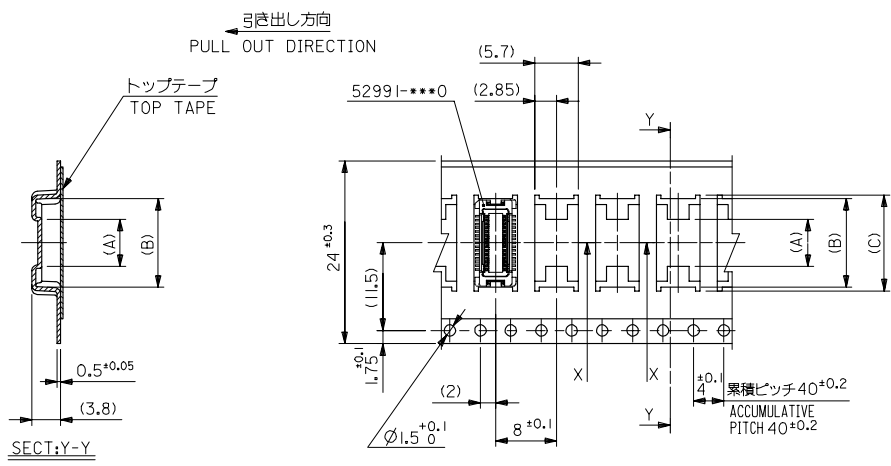
3

2



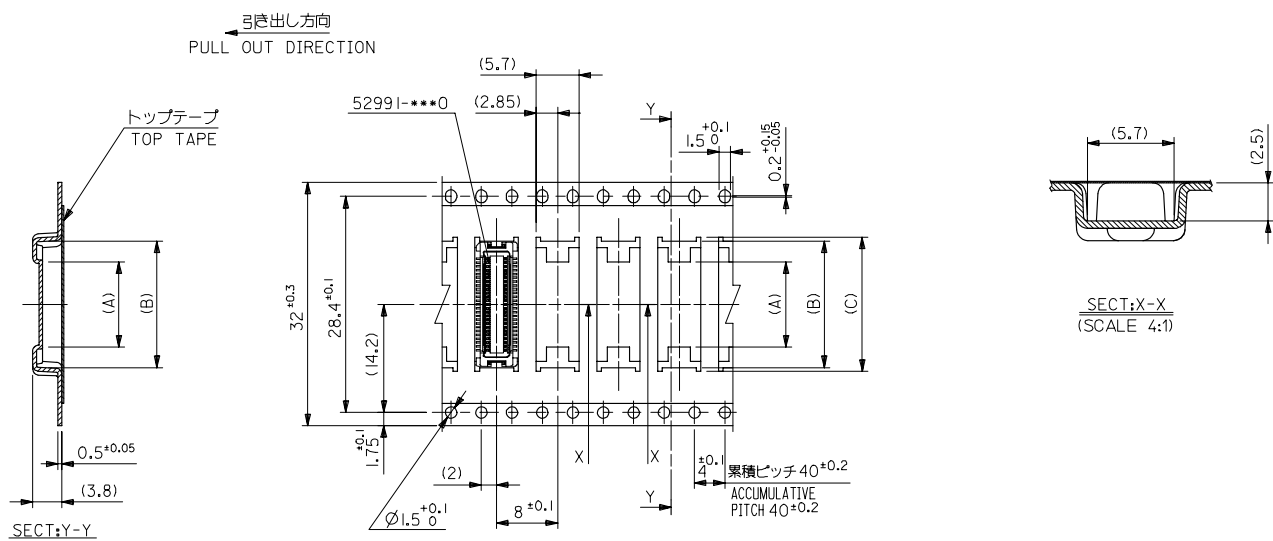
16mm幅キャリアテープ
16mm WIDTH CARRIER TAPE

REVISED EC NO. J2006-0604 DRW:NAIDA 2005/08/31 CHK:KTOYODA 2005/09/01 APPR:NIKIITA 2005/09/09	52991-***8	MODEL NO.	16	21.4	17.4	10.1	9.1	3.7	52991-0208	20
	GENERAL TOLERANCES (UNLESS SPECIFIED)		DIMENSION STYLE		SCALE	DESIGN UNITS		THIRD ANGLE PROJECTION		
	10 UNDER	±---	MM ONLY		---	METRIC		0.5 B/B CONN REC HSG ASSY EMBSTP PKG -LEAD FREE-		
	10 OVER 30 UNDER	±---	DRAWN BY T. NIITSU		DATE '95/10/17	MOLEX INCORPORATED				
30 OVER	±---	CHECKED BY T. ITO		DATE '01/01/31	MATERIAL NO.		DOCUMENT NO.	SHEET NO.		
ANGULAR	±--- °	APPROVED BY M. FUKUSHIMA		DATE '01/01/31	SEE CHART		SD-52991-005	2 OF 6		
DRAFT WHERE APPLICABLE MUST REMAIN WITHIN DIMENSIONS		SIZE		THIS DRAWING CONTAINS INFORMATION THAT IS PROPRIETARY TO MOLEX INCORPORATED AND SHOULD NOT BE USED WITHOUT WRITTEN PERMISSION						



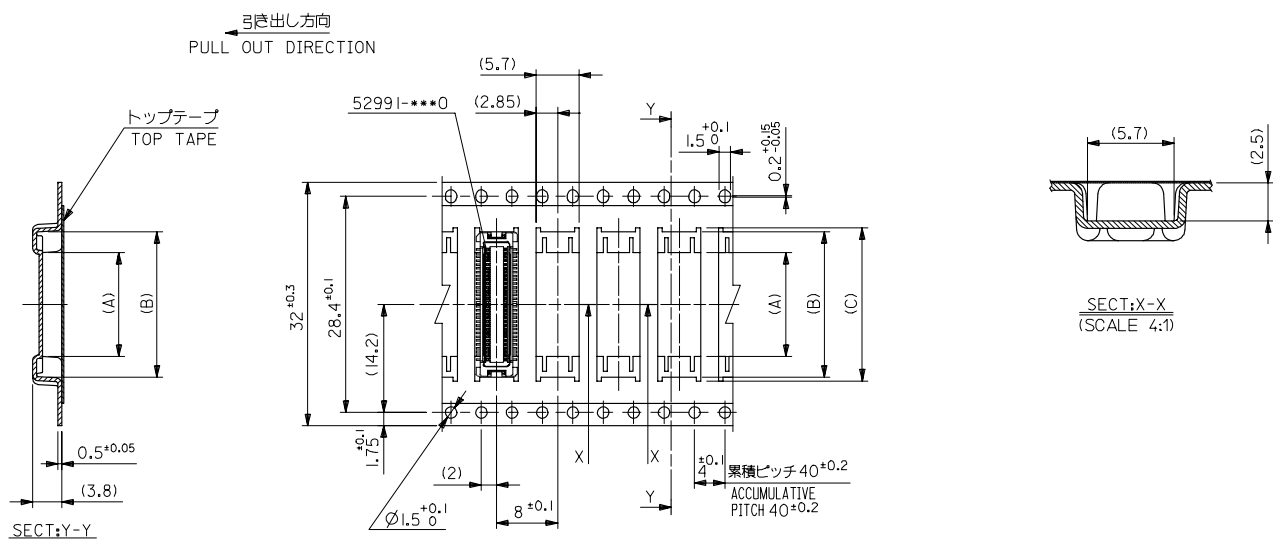
24mm幅キャリアテープ
 24mm WIDTH CARRIER TAPE

REVISED	EC NO. J2006-0604	2005/08/31	2005/09/01	2005/09/09	DESCRIPTION	52991-***8	MODEL NO.	キャリアテープ幅 CARRIER TAPE WIDTH	24	29.4	25.4	15.1	14.1	7.4	52991-0408	40			
	DRW:NAIDA	CHK:KTOYODA	APP:NIKIITA						E	D	(C)	(B)	(A)	MATERIAL NO.	種数 CKT.				
GENERAL TOLERANCES (UNLESS SPECIFIED)						DIMENSION STYLE						SCALE		DESIGN UNITS		THIRD ANGLE PROJECTION			
10 UNDER ±---						MM ONLY						---		METRIC		☉ □			
10 OVER 30 UNDER ±---						DRAWN BY S. AIHARA						DATE '96/04/01		TITLE 0.5 B/B CONN REC HSG ASSY EMBSTP PKG -LEAD FREE-					
30 OVER ±---						CHECKED BY T. ITO						DATE '01/01/31							
ANGULAR ±--- °						APPROVED BY M. FUKUSHIMA						DATE '01/01/31		MOLEX INCORPORATED					
DRAFT WHERE APPLICABLE MUST REMAIN WITHIN DIMENSIONS						MATERIAL NO.						DOCUMENT NO.							
D						SEE CHART						SD-52991-005		3 OF 6					
THIS DRAWING CONTAINS INFORMATION THAT IS PROPRIETARY TO MOLEX INCORPORATED AND SHOULD NOT BE USED WITHOUT WRITTEN PERMISSION																			



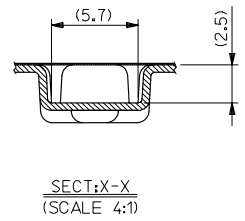
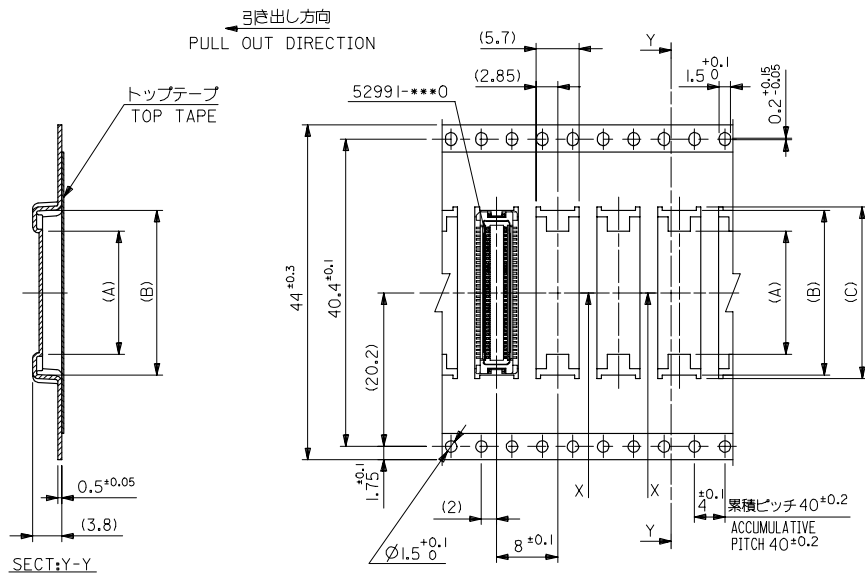
32mm幅キャリアテープ
32mm WIDTH CARRIER TAPE

REVISED EC NO. J2006-0604 DRAWN BY DRW:NAIDA CHK:KTOYODA APP:NIKIITA	DESCRIPTION 2005/08/31 2005/09/01 2005/09/09	52991-***8	MODEL NO.	32	37.4	33.4	17.6	16.6	11.2	52991-0508	50	
		GENERAL TOLERANCES (UNLESS SPECIFIED)		DIMENSION STYLE MM ONLY		SCALE ---	DESIGN UNITS METRIC		THIRD ANGLE PROJECTION			
		10 UNDER	± ---	DRAWN BY T. YASUI		DATE '96/04/15		TITLE 0.5 B/B CONN REC HSG ASSY EMBSTP PKG -LEAD FREE-				
		10 OVER 30 UNDER	± ---	CHECKED BY T. ITO		DATE '01/01/31		MOLEX INCORPORATED				
30 OVER	± ---	APPROVED BY M. FUKUSHIMA		DATE '01/01/31		MATERIAL NO. SEE CHART		DOCUMENT NO. SD-52991-005		SHEET NO. 4 OF 6		
ANGULAR		± --- °		DRAFT WHERE APPLICABLE MUST REMAIN WITHIN DIMENSIONS		THIS DRAWING CONTAINS INFORMATION THAT IS PROPRIETARY TO MOLEX INCORPORATED AND SHOULD NOT BE USED WITHOUT WRITTEN PERMISSION						



32mm幅キャリアテープ
32mm WIDTH CARRIER TAPE

REVISED REV D	EC NO. J2006-0604	2005/08/31	2005/09/01	2005/09/09	52991-***8	MODEL NO.	32	37.4	33.4	20.1	19.1	13.7	52991-0608	60	
	DRW:NAIDA	CHK:KTOYODA	APP:NUMITA	DESCRIPTION	GENERAL TOLERANCES (UNLESS SPECIFIED)	DIMENSION STYLE	キャリアテープ幅 CARRIER TAPE WIDTH		E	D	(C)	(B)	(A)	MATERIAL NO.	種数 CKT.
	10 UNDER	± ---	DRAWN BY S. AIHARA		DATE '96/04/01	MM ONLY	SCALE		---	DESIGN UNITS	METRIC		THIRD ANGLE PROJECTION		
	10 OVER 30 UNDER	± ---	CHECKED BY T. ITO		DATE '01/01/31	10 OVER 30 UNDER	TITLE		0.5 B/B CONN REC HSG ASSY EMBSTP PKG -LEAD FREE-						
30 OVER	± ---	APPROVED BY M. FUKUSHIMA		DATE '01/01/31	ANGULAR	± --- °	MOLEX INCORPORATED								
DRAFT WHERE APPLICABLE MUST REMAIN WITHIN DIMENSIONS					SEE CHART		DOCUMENT NO.		SD-52991-005		SHEET NO.		5 OF 6		
THIS DRAWING CONTAINS INFORMATION THAT IS PROPRIETARY TO MOLEX INCORPORATED AND SHOULD NOT BE USED WITHOUT WRITTEN PERMISSION															



44mm幅キャリアテープ
44mm WIDTH CARRIER TAPE

REVISED	EC NO. J2006-0604	2005/08/31	2005/09/01	2005/09/09	52991-***8	MODEL NO.	キャリアテープ幅 CARRIER TAPE WIDTH	E	D	(C)	(B)	(A)	52991-0808	80
D	DRW:NAIDA	CHK:KTYODA	APP:NUMITA	DESCRIPTION	GENERAL TOLERANCES (UNLESS SPECIFIED)	DIMENSION STYLE MM ONLY	SCALE ---	DESIGN UNITS METRIC	THIRD ANGLE PROJECTION			TITLE 0.5 B/B CONN REC HSG ASSY EMBSTP PKG -LEAD FREE-		
					10 UNDER ± ---	DRAWN BY T. YASUI	DATE '96/04/15	MOLEX INCORPORATED			DOCUMENT NO. SD-52991-005			SHEET NO. 6 OF 6
					10 OVER 30 UNDER ± ---	CHECKED BY T. ITO	DATE '01/01/31	SEE CHART			THIS DRAWING CONTAINS INFORMATION THAT IS PROPRIETARY TO MOLEX INCORPORATED AND SHOULD NOT BE USED WITHOUT WRITTEN PERMISSION			
					30 OVER ± ---	APPROVED BY M. FUKUSHIMA	DATE '01/01/31							
					ANGULAR ± --- °	MATERIAL NO.								
					DRAFT WHERE APPLICABLE MUST REMAIN WITHIN DIMENSIONS	SIZE A3								