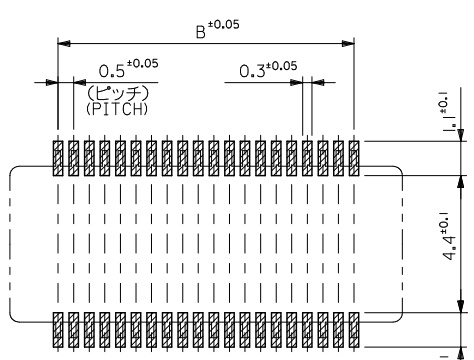
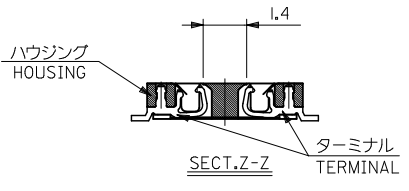
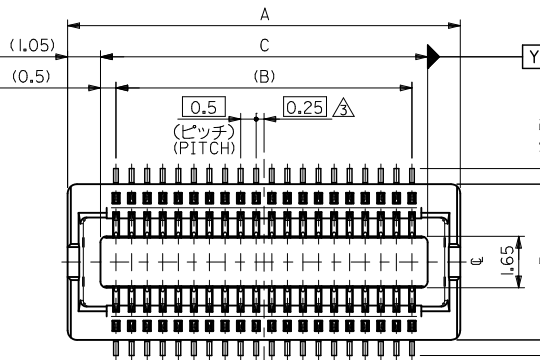
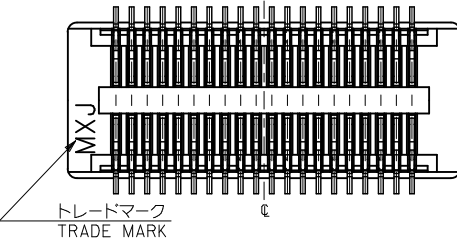
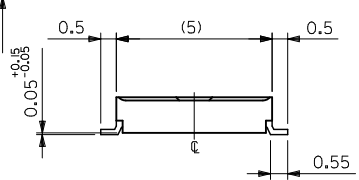
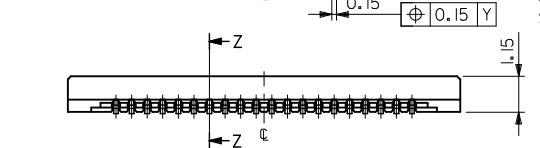


10 9 8 7 6 5 4 3 2 1



参考基板レイアウト (マウント面)  
P.C.BOARD PATTERN  
DIMENSION. (REF.)  
(MOUNTING AREA)

30極以下品形状  
SHAPE OF 30CIRCUITS OR LESS



注記 NOTES:

- 使用材料 MATERIAL  
ハウジング: 液晶ポリマー ガラス充填, UL94V-0 (黒)  
HOUSING: LIQUID CRYSTAL POLYMER (GLASS FILLED)  
UL94V-0, (COLOR: BLACK)  
ターミナル: リン青銅 (t=0.15)  
TERMINAL: PHOSPHOR BRONZE (t=0.15)
- メッキ仕様 PLATING  
金メッキ 0.25 MICROMETER MINIMUM (コンタクト部)  
GOLD 0.25 MICROMETER MINIMUM. (CONTACT AREA)  
金メッキ 0.4 MICROMETER MAXIMUM (テール部)  
GOLD 0.4 MICROMETER MAXIMUM. (TAIL AREA)  
下地メッキ: ニッケルメッキ 1.5 MICROMETER MINIMUM  
UNDER PLATING: NICKEL 1.5 MICROMETER MINIMUM

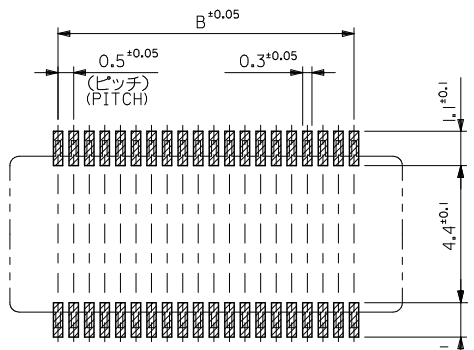
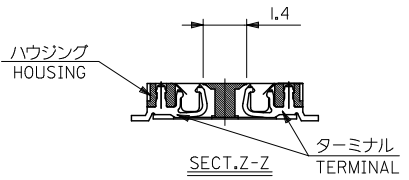
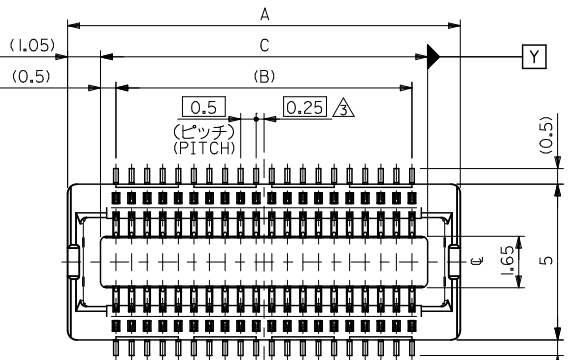
- △ (全極数/2) = 偶数の場合に適用。  
APPLY FOR (CIRCUIT/2)=EVEN.
- 4 嵌合相手: 55560 シリーズ, 53794 シリーズ  
MATE WITH: 55560 SERIES, 53794 SERIES.
- 5 テール平坦度は, 0.1 MAXIMUM.  
TAIL COPLANARITY TO BE 0.1 MAXIMUM.

8.0	7.0	10.1	54722-030I	30
6.5	5.5	8.6	54722-024I	24
6.0	5.0	8.1	54722-022I	22
5.5	4.5	7.6	54722-020I	20
4.5	3.5	6.6	54722-016I	16
C	B	A	MATERIAL. NO	極数 CIRCUIT

MODEL NO. 54722-\*\*\*\*

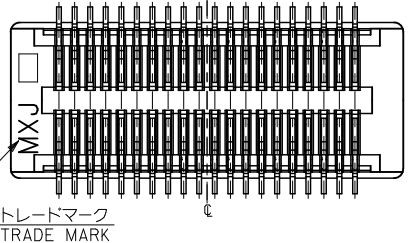
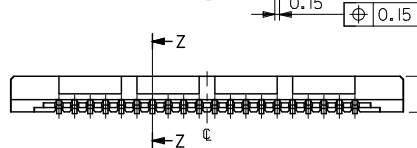
REVISED EC NO: J2010-1532 DRAWN BY: DRINKYAMANE CHKD: SHIRUYAMA APPR: MSASAO H	GENERAL TOLERANCES (UNLESS SPECIFIED)		DIMENSION STYLE MM ONLY		SCALE ---	DESIGN UNITS METRIC	THIRD ANGLE PROJECTION
	10 UNDER	±0.20	DRAWN BY S. AIHARA	DATE 2000/10/05	TITLE 0.5 B-T0-B CONN REC HOUSING ASSY (HGT=1.5) (SHEET 1 OF 2)		
	10 OVER 30 UNDER	±0.25	CHECKED BY T. ITO	DATE 2000/10/05	MOLEX INCORPORATED		
	30 OVER	±0.3	APPROVED BY M. FUKUSHIMA	DATE 2000/10/05	DOCUMENT NO. SD-54722-007	SHEET NO. 1 OF 2	
ANGULAR	±3 °	MATERIAL NO. SEE CHART		THIS DRAWING CONTAINS INFORMATION THAT IS PROPRIETARY TO MOLEX INCORPORATED AND SHOULD NOT BE USED WITHOUT WRITTEN PERMISSION			
DRAFT WHERE APPLICABLE MUST REMAIN WITHIN DIMENSIONS							

10 9 8 7 6 5 4 3 2 1



参考基板レイアウト (マウント面)  
P.C. BOARD PATTERN DIMENSION (REF.) (MOUNTING AREA)

34極以上品形状  
SHAPE OF 34CIRCUITS OR MORE



注記 NOTES:

- 使用材料 MATERIAL  
ハウジング: 液晶ポリマー ガラス充填, UL94V-0 (黒)  
HOUSING: LIQUID CRYSTAL POLYMER (GLASS FILLED)  
UL94V-0, (COLOR: BLACK)  
ターミナル: リン青銅 (t=0.15)  
TERMINAL: PHOSPHOR BRONZE (t=0.15)
- メッキ仕様 PLATING  
金メッキ 0.25 MICROMETER MINIMUM (コンタクト部)  
GOLD 0.25 MICROMETER MINIMUM. (CONTACT AREA)  
金メッキ 0.4 MICROMETER MAXIMUM (テール部)  
GOLD 0.4 MICROMETER MAXIMUM. (TAIL AREA)  
下地メッキ: ニッケルメッキ 1.5 MICROMETER MINIMUM  
UNDER PLATING: NICKEL 1.5 MICROMETER MINIMUM

- △ (全極数/2) = 偶数の場合に適用。  
APPLY FOR (CIRCUIT/2)=EVEN.
- 4 嵌合相手: 55560 シリーズ, 53794 シリーズ  
MATE WITH: 55560 SERIES, 53794 SERIES.
- 5 テール平坦度は, 0.1 MAXIMUM.  
TAIL COPLANARITY TO BE 0.1 MAXIMUM.

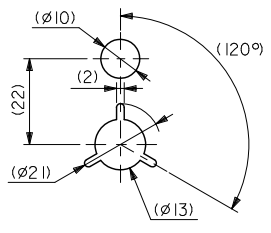
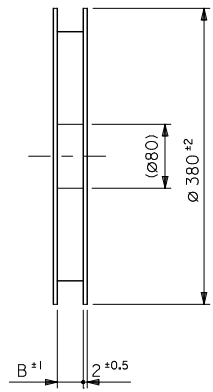
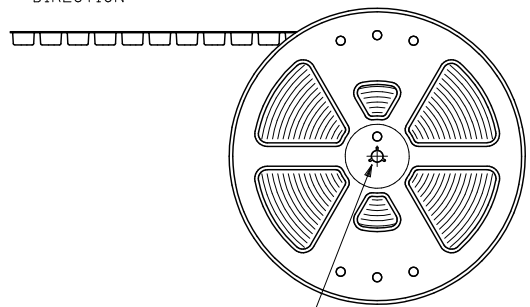
20.5	19.5	22.6	54722-080I	80
15.5	14.5	17.6	54722-060I	60
13.0	12.0	15.1	54722-050I	50
10.5	9.5	12.6	54722-040I	40
9.0	8.0	11.1	54722-034I	34
C	B	A	MATERIAL. NO	極数 CIRCUIT

MODEL NO. 54722-\*\*\*I

SEE SHEET 1 OF 2 EC NO: J2010-1532 DRW: KYAMANE 2010/02/01 CHKD: SHIRAYAMA 2010/02/01 APPR: MSASAO 2010/02/01 REV	GENERAL TOLERANCES (UNLESS SPECIFIED)		DIMENSION STYLE MM ONLY		SCALE ---	DESIGN UNITS METRIC	THIRD ANGLE PROJECTION
	10 UNDER	±0.20	DRAWN BY S. AIHARA	DATE 2001/02/13	TITLE 0.5 B-T0-B CONN REC HOUSING ASSY (HGT=1.5) (SHEET 2 OF 2)		
	10 OVER 30 UNDER	±0.25	CHECKED BY T. ITO	DATE 2001/02/13	MOLEX INCORPORATED DOCUMENT NO. SD-54722-007		
	30 OVER	±0.3	APPROVED BY M. FUKUSHIMA	DATE 2001/02/13			
ANGULAR ±3 °		MATERIAL NO. SEE CHART		THIS DRAWING CONTAINS INFORMATION THAT IS PROPRIETARY TO MOLEX INCORPORATED AND SHOULD NOT BE USED WITHOUT WRITTEN PERMISSION			
DRAFT WHERE APPLICABLE MUST REMAIN WITHIN DIMENSIONS							

10 9 8 7 6 5 4 3 2 1

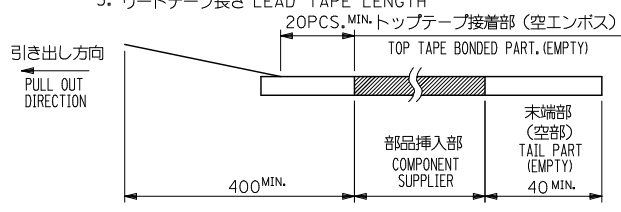
引き出し方向  
PULL OUT  
DIRECTION



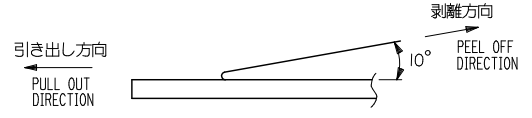
DETAIL "F"

注記 NOTES

- 製品詳細寸法については図面 SD-54722-007 を参照下さい。  
RE DETAILED DIMENSION, SEE SD-54722-007
- 梱包数量：3000個/リール  
NUMBER OF CONNECTORS：3000PCS/REEL
- リードテープ長さ LEAD TAPE LENGTH  
20PCS, MIN. トップテープ接着部 (空エンボス)  
TOP TAPE BONDED PART. (EMPTY)



- トップテープの剥離強度：0.1N ~ 0.7N (10.2gf ~ 71.4gf)  
(剥離方向は下図参照)  
尚、本規格値は出荷時に適用。(但し、輸送時に剥離が発生しないこと。)  
PEELING OFF FORCE OF TOP TAPE：0.1N ~ 0.7N (10.2gf ~ 71.4gf)  
(PEELING DIRECTION AS SHOWN IN FOLLOWING FIG.)  
THIS REQUIREMENT SHOULD BE APPLIED AT SHIPMENT.  
PEEL OFF SHOULD NOT BE ALLOWED, DURING TRANSPORTATION.



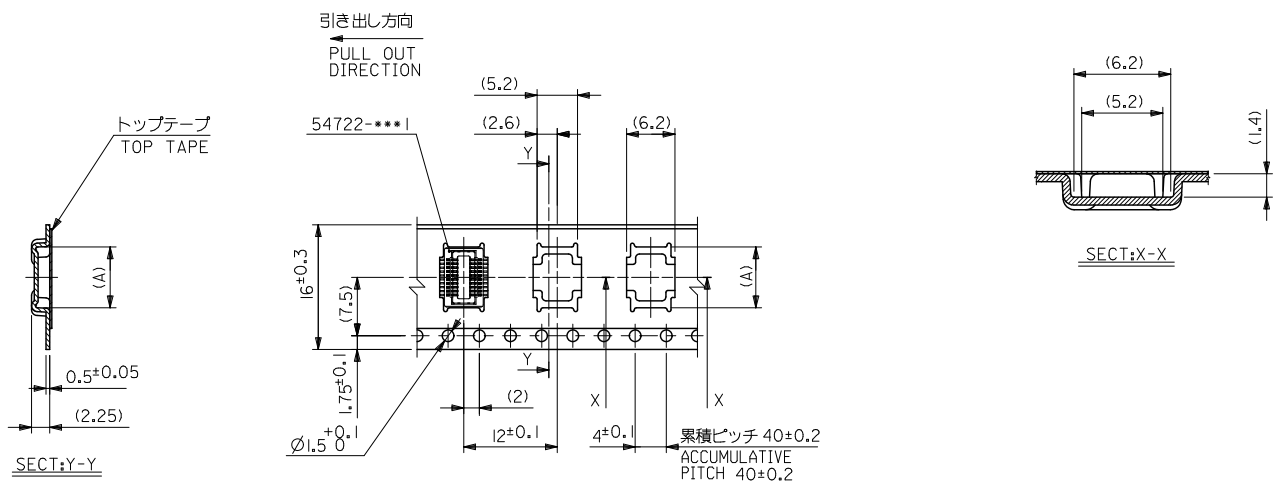
- 材料 キャリアテープ：ポリプロピレン (PP)  
トップテープ：PET, PE, PEF  
リール：ポリスチレン (PS) <リサイクル材を含む>

MATERIAL CARRIER TAPE:POLYPROPYLENE  
TOP TAPE:PET,PE,PEF  
REEL:POLYSTYRENE(PS)  
<RECYCLE MATERIAL CONTAINED>

MODEL NO. 54722-\*\*\*7

REVISED EC NO: J2010-1532 DRAWN BY: DRW:KYAMANE CHKD:SMURUYAMA APPR:MSASAO J	GENERAL TOLERANCES (UNLESS SPECIFIED)		DIMENSION STYLE MM ONLY		SCALE ---	DESIGN UNITS METRIC	THIRD ANGLE PROJECTION
	10 UNDER	±0.20	DRAWN BY S.AIHARA	DATE 2000/10/06	TITLE 0.5 B-T0-B CONN REC ASSY (HGT=1.5) EMBSTP PKG (SHEET 1 OF 5)		
	10 OVER 30 UNDER	±0.25	CHECKED BY T.ITO	DATE 2000/10/06	MOLEX INCORPORATED		
	30 OVER	±0.3	APPROVED BY M.FUKUSHIMA	DATE 2000/10/06	DOCUMENT NO. SD-54722-008	SHEET NO. 1 OF 5	
	ANGULAR ±3°	DRAFT WHERE APPLICABLE MUST REMAIN WITHIN DIMENSIONS		MATERIAL NO. SEE CHART	THIS DRAWING CONTAINS INFORMATION THAT IS PROPRIETARY TO MOLEX INCORPORATED AND SHOULD NOT BE USED WITHOUT WRITTEN PERMISSION		

10 9 8 7 6 5 4 3 2 1

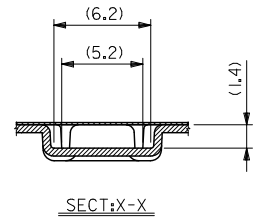
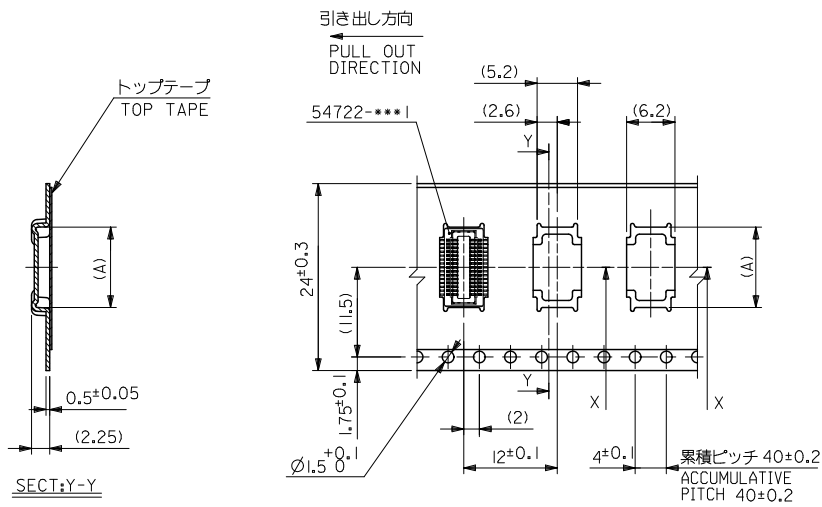


16mm幅キャリアテープ  
16mm WIDTH CARRIER TAPE

16	17.5	7.8	54722-0207	20
キャリアテープ幅 CARRIER TAPE WIDTH	B	(A)	MATERIAL NO.	極致 CIRCUIT
MODEL NO.			54722-***7	

SEE SHEET 1 OF 5 EC NO: J2010-1532 DRAWN BY: DRW:KYAMANE 2010/02/01 CHECKED BY: CHY:K:SMURUYAMA 2010/02/01 APPROVED BY: APPR:MSASAO 2010/02/01	GENERAL TOLERANCES (UNLESS SPECIFIED)		DIMENSION STYLE MM ONLY		SCALE ---	DESIGN UNITS METRIC	THIRD ANGLE PROJECTION
	10 UNDER	±0.20	DRAWN BY S. AIHARA	DATE 2000/10/06	TITLE 0.5 B-T0-B CONN REC ASSY (HGT=1.5) EMBSTP PKG (SHEET 2 OF 5)		
	10 OVER 30 UNDER	±0.25	CHECKED BY T. ITO	DATE 2000/10/06			
	30 OVER	±0.3	APPROVED BY M. FUKUSHIMA	DATE 2000/10/06	MOLEX INCORPORATED		
ANGULAR	±3 °	MATERIAL NO.	SEE CHART	DOCUMENT NO. SD-54722-008			
DRAFT WHERE APPLICABLE MUST REMAIN WITHIN DIMENSIONS		THIS DRAWING CONTAINS INFORMATION THAT IS PROPRIETARY TO MOLEX INCORPORATED AND SHOULD NOT BE USED WITHOUT WRITTEN PERMISSION					

10 9 8 7 6 5 4 3 2 1



24mm幅キャリアテープ  
24mm WIDTH CARRIER TAPE

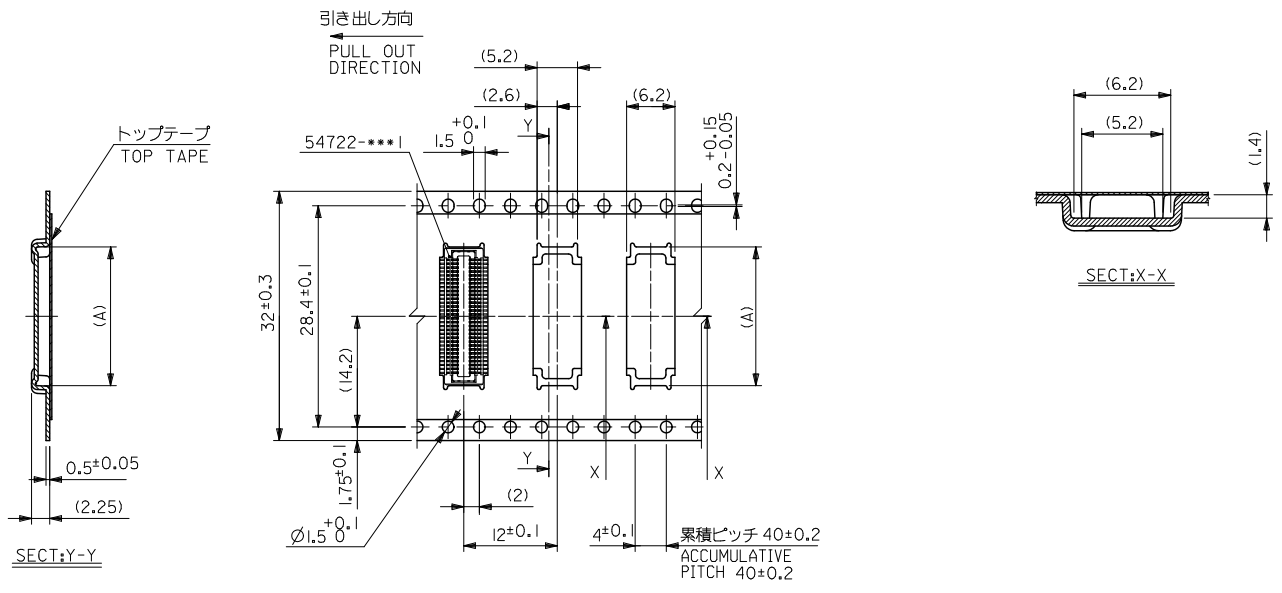
24	25.5	15.3	54722-0507	50
		12.8	54722-0407	40
		11.3	54722-0347	34
		10.3	54722-0307	30
		8.8	54722-0247	24
		8.3	54722-0227	22
キャリアテープ幅 CARRIER TAPE WIDTH		B	(A)	MATERIAL NO. 極致 CIRCUIT
		MODEL NO.	54722-***7	

SEE SHEET 1 OF 5	GENERAL TOLERANCES (UNLESS SPECIFIED)		DIMENSION STYLE MM ONLY		SCALE ---	DESIGN UNITS METRIC	THIRD ANGLE PROJECTION
	10 UNDER	±0.20	DRAWN BY S. AIHARA	DATE 2000/10/06	TITLE 0.5 B-T0-B CONN REC ASSY (HGT=1.5) EMBSTP PKG (SHEET 3 OF 5)		
	10 OVER 30 UNDER	±0.25	CHECKED BY T. ITO	DATE 2000/10/06	MOLEX INCORPORATED		
	30 OVER	±0.3	APPROVED BY M. FUKUSHIMA	DATE 2000/10/06			
	ANGULAR	±3 °	MATERIAL NO. SEE CHART		DOCUMENT NO. SD-54722-008	SHEET NO. 3 OF 5	
DRAFT WHERE APPLICABLE MUST REMAIN WITHIN DIMENSIONS		THIS DRAWING CONTAINS INFORMATION THAT IS PROPRIETARY TO MOLEX INCORPORATED AND SHOULD NOT BE USED WITHOUT WRITTEN PERMISSION					

ib\_frame\_A3\_J\_ME\_S  
Rev. E 2006/04/15

9 8 7 6 5 4 3 2 1 EN-02JA(021)

10 9 8 7 6 5 4 3 2 1



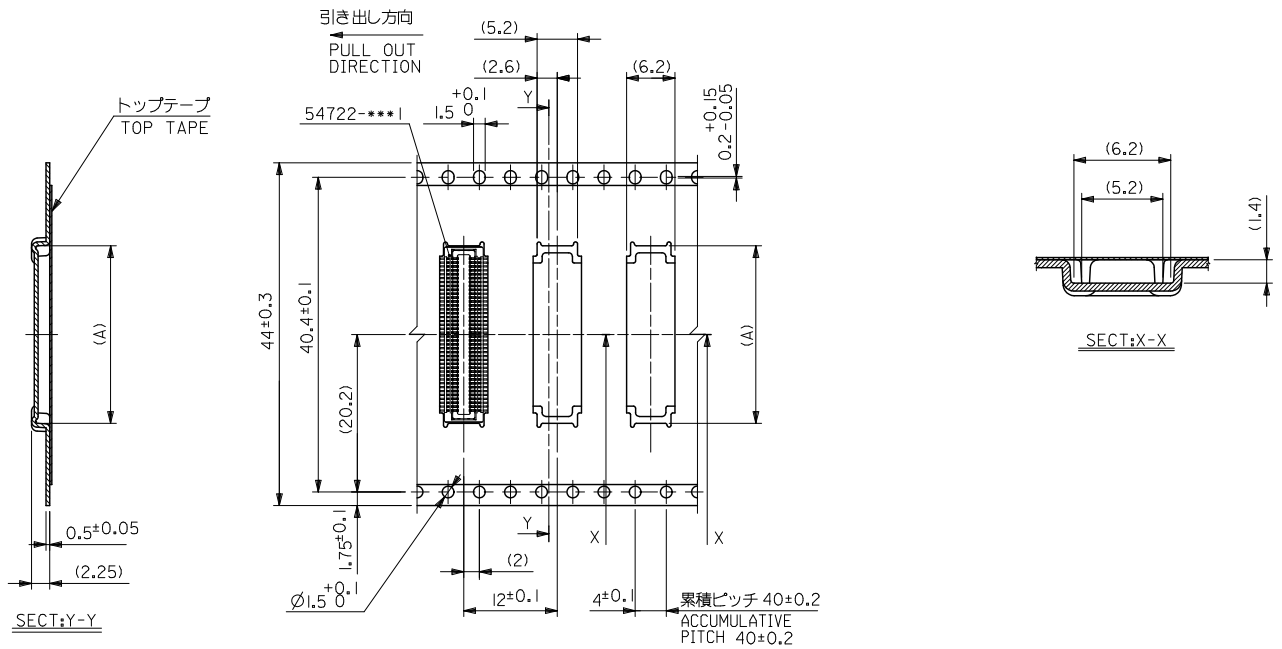
32mm幅キャリアテープ  
32mm WIDTH CARRIER TAPE

32	33.5	17.8	54722-0607	60
キャリアテープ幅 CARRIER TAPE WIDTH	B	(A)	MATERIAL NO.	極数 CIRCUIT
MODEL NO.			54722-***7	

SEE SHEET 1 OF 5 EC NO: J2010-1532 DRAWN BY: DRW:KYAMANE 2010/02/01 CHYK:SMRYAMA 2010/02/01 APPR:MSASAO 2010/02/01	GENERAL TOLERANCES (UNLESS SPECIFIED)		DIMENSION STYLE MM ONLY		SCALE ---	DESIGN UNITS METRIC	THIRD ANGLE PROJECTION
	10 UNDER	±0.20	DRAWN BY T. YASUI	DATE 2002/11/25	TITLE 0.5 B-T0-B CONN REC ASSY (HGT=1.5) EMBSTP PKG (SHEET 4 OF 5)		
	10 OVER 30 UNDER	±0.25	CHECKED BY T. ITO	DATE 2002/11/25			
	30 OVER	±0.3	APPROVED BY T. YAMAGUCHI	DATE 2002/11/25	MOLEX INCORPORATED		
	ANGULAR	±3 °	MATERIAL NO. SEE CHART	DOCUMENT NO. SD-54722-008			
DRAFT WHERE APPLICABLE MUST REMAIN WITHIN DIMENSIONS		THIS DRAWING CONTAINS INFORMATION THAT IS PROPRIETARY TO MOLEX INCORPORATED AND SHOULD NOT BE USED WITHOUT WRITTEN PERMISSION					

ib\_frame\_A3\_J\_ME\_S  
Rev. E 2006/04/15

EN-02JA(021)



44mm幅キャリアテープ  
44mm WIDTH CARRIER TAPE

44	45.5	22.8	54722-0807	80
キャリアテープ幅 CARRIER TAPE WIDTH	B	(A)	MATERIAL NO.	極数 CIRCUIT
MODEL NO.			54722-***7	

SEE SHEET 1 OF 5 EC NO: J2010-1532 DRAWN BY: DRW:KYAMANE CHKD:SMRYAMA APPR:MSASAO REV: DESCRIPTION	GENERAL TOLERANCES (UNLESS SPECIFIED)		DIMENSION STYLE MM ONLY	SCALE ---	DESIGN UNITS METRIC	THIRD ANGLE PROJECTION
	10 UNDER	±0.20	DRAWN BY T. YASUI	DATE 2002/03/06	TITLE 0.5 B-T0-B CONN REC ASSY (HGT=1.5) EMBSTP PKG (SHEET 5 OF 5)	
	10 OVER 30 UNDER	±0.25	CHECKED BY T. ITO	DATE 2002/03/06	MOLEX INCORPORATED	
	30 OVER	±0.3	APPROVED BY T. YAMAGUCHI	DATE 2002/03/06	DOCUMENT NO. SD-54722-008	SHEET NO. 5 OF 5
ANGULAR ±3°		DRAFT WHERE APPLICABLE MUST REMAIN WITHIN DIMENSIONS	MATERIAL NO. SEE CHART	THIS DRAWING CONTAINS INFORMATION THAT IS PROPRIETARY TO MOLEX INCORPORATED AND SHOULD NOT BE USED WITHOUT WRITTEN PERMISSION		