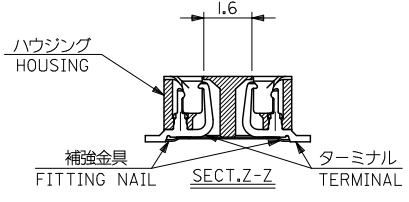


注記 NOTES:  
 1 使用材料 MATERIAL  
 ハウジング: LCP ガラス充填 UL94V-0 (黒)  
 HOUSING: LCP (GLASS FILLED) UL94V-0 (COLOR: BLACK)  
 ターミナル: リン青銅 (t=0.15)  
 TERMINAL: PHOSPHOR BRONZE (t=0.15)  
 補強金具: リン青銅 (t=0.2)  
 FITTING NAIL: PHOSPHOR BRONZE (t=0.2)  
 2 メッキ仕様 PLATING  
 コンタクト部: 金メッキ  
 CONTACT AREA: GOLD  
 テール部: 金メッキ  
 TAIL AREA: GOLD  
 ターミナル部下地メッキ: ニッケルメッキ  
 UNDER PLATING: NICKEL (TERMINAL AREA)  
 1.5 MICROMETER MINIMUM

参考基板レイアウト (マウント面)  
 RECOMMENDED P.C. BOARD  
 PATTERN DIMENSION (REF.)  
 (MOUNTING AREA)  
 補強金具: 錫メッキ  
 FITTING NAIL: TIN 1.0 MICROMETER MINIMUM  
 補強金具下地メッキ: ニッケルメッキ  
 UNDER PLATING: NICKEL (FITTING NAIL)  
 1.0 MICROMETER MINIMUM  
 (全極数/2) = 偶数の場合に適用。  
 APPLY FOR (CIRCUIT/2)=EVEN.  
 4 嵌合相手: 53949 シリーズ  
 MATE WITH: 53949 SERIES.  
 5 テール及びネールの平坦度は、0.IMAX.  
 TAIL AND NAIL COPLANARITY TO BE 0.IMAX.  
 (テール部に適用)  
 APPLY TO THE TAIL AREA.  
 (ネール部に適用)  
 APPLY TO THE NAIL AREA.  
 8 本製品は 54150-\*\*\*I の鉛フリー品である。  
 THIS PRODUCT IS LEAD FREE OF 54150-\*\*\*I.  
 9. ELV及びRoHS適合品。  
 ELV AND RoHS COMPLIANT.

20.5	19.5	23.9	54150-0878	80
C	B	A	EMBOSSED TAPE	CIRCUIT
			ORDER No. オート番号	
CONNECTOR No. 54150-***71				



REVISED EC NO: J2010-1976 DRAWN BY: HMMABEI CHKD: MATSUJOTO APPR: HIRATA REV: A	2008/07/10	2010/06/17	2010/06/18
	DESCRIPTION		
	GENERAL TOLERANCES (UNLESS SPECIFIED)		
	10 UNDER	±0.2	
10 OVER	30 UNDER	±0.25	
30 OVER		±0.3	
ANGULAR		±3 °	
DRAFT WHERE APPLICABLE MUST REMAIN WITHIN DIMENSIONS			

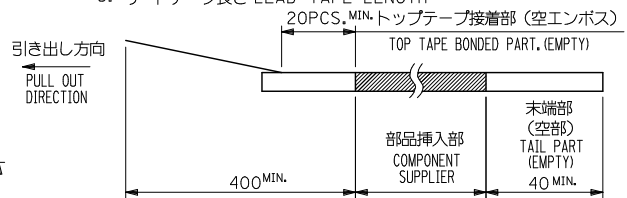
DIMENSION STYLE MM ONLY	
DRAWN BY H. KAWABATA	DATE '04/03/03
CHECKED BY K. TOJO	DATE '04/03/03
APPROVED BY M. SASAO	DATE '04/03/03
MATERIAL NO. SEE TABLE	
SIZE A3	

SCALE ---	DESIGN UNITS METRIC	THIRD ANGLE PROJECTION
TITLE 0.5 B-TO-B REC HSG ASSY WITH FITTING NAIL		
MOLEX INCORPORATED		
DOCUMENT NO. SD-54150-001	SHEET NO. 1 OF 1	

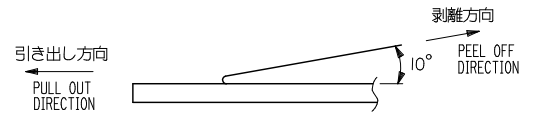
10 9 8 7 6 5 4 3 2 1

NOTES

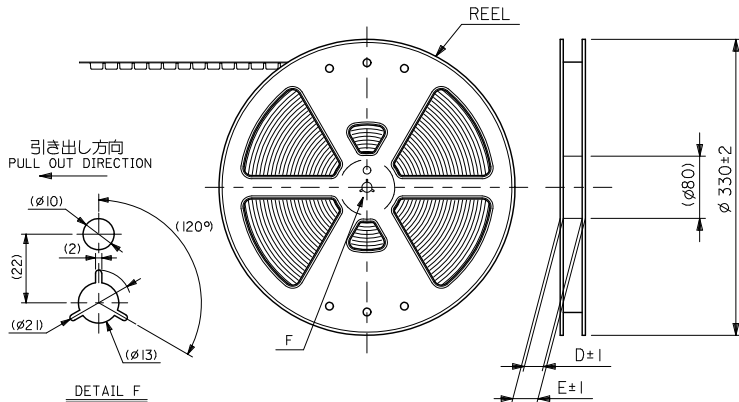
- 製品詳細寸法については図面 SD-54150-001 を参照下さい。  
RE DETAILED DIMENSION, SEE SD-54150-001.
- 梱包数量 : 3000個/リール  
NUMBER OF CONNECTORS : 3000PCS/REEL
- リードテープ長さ LEAD TAPE LENGTH



- トップテープの剥離強度 : 0.1 ~ 1.3N {10 ~ 130gf} (剥離方向は下図参照)  
尚、本規格値は出荷時に適用。(但し、輸送時に剥離が発生しないこと。)  
PEELING OFF FORCE OF TOP TAPE : 0.1 ~ 1.3N {10 ~ 130gf} (PEELING DIRECTION AS SHOWN IN FOLLOWING FIG.)  
THIS REQUIREMENT SHOULD BE APPLIED AT SHIPMENT.  
PEEL OFF SHOULD NOT BE ALLOWED, DURING TRANSPORTATION.



- 材料 (MATERIAL)  
キャリアテープ (CARRIER TAPE) : ポリプロピレン (POLYPROPYLENE (PP))  
トップテープ (TOP TAPE) : PET, PE, PEF  
リール (REEL) : ポリスチレン (PS) (POLYSTYRENE (PS))  
リサイクル材を含む (RECYCLE MATERIAL CONTAINED)
- 本製品は 54150-\*\*\*8 の鉛フリー品である。  
THIS PRODUCT IS LEAD FREE OF 54150-\*\*\*8.

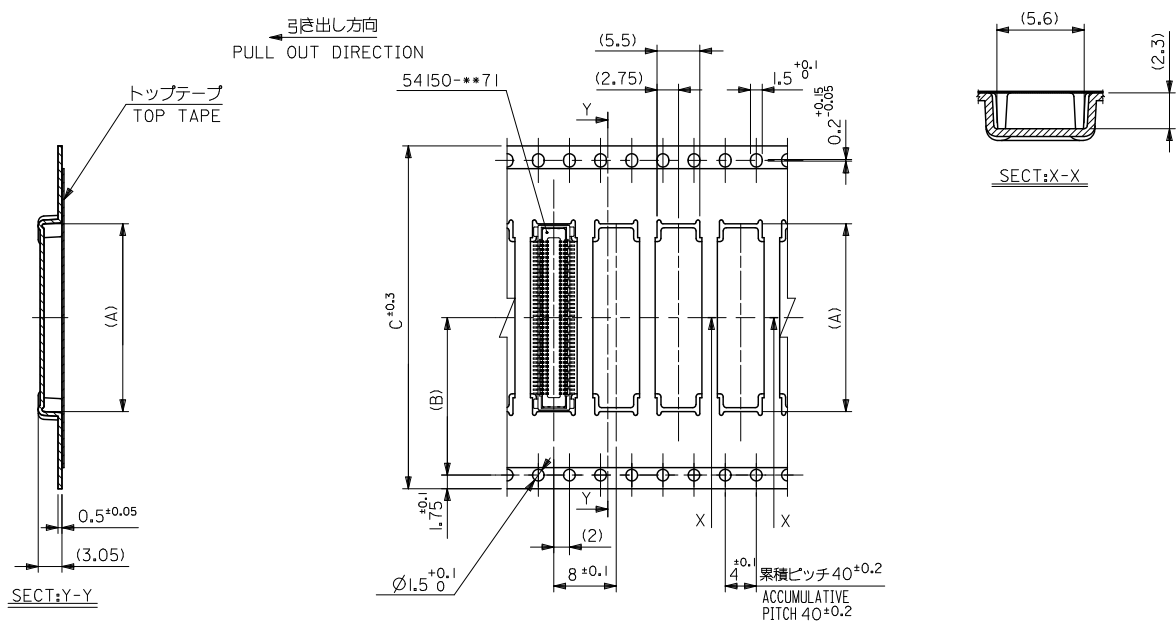


MODEL NO. 54150-\*\*\*78

REVISED EC NO: J2010-1271 DRWNSZUK101 CHYKDHIRATA APPR:HIRATA A	DESCRIPTION 2010/05/24 2010/05/24 2010/06/16	GENERAL TOLERANCES (UNLESS SPECIFIED)		DIMENSION STYLE MM ONLY	SCALE ---	DESIGN UNITS METRIC	THIRD ANGLE PROJECTION	
		10 UNDER ±---	10 OVER 30 UNDER ±---	DRAWN BY	DATE	TITLE 0.5 B-TO-B CONN REC HSG ASSY W/ NAIL EMBSTP PKG		
		30 OVER ±---	ANGULAR ±--- °	CHECKED BY	DATE	MOLEX INCORPORATED		
		DRAFT WHERE APPLICABLE MUST REMAIN WITHIN DIMENSIONS		MATERIAL NO. SEE TABLE	APPROVED BY	DATE	DOCUMENT NO. SD-54150-002	SHEET NO. 1 OF 2

SIZE A3 THIS DRAWING CONTAINS INFORMATION THAT IS PROPRIETARY TO MOLEX INCORPORATED AND SHOULD NOT BE USED WITHOUT WRITTEN PERMISSION

10 9 8 7 6 5 4 3 2 1



44mm幅キャリアテープ  
44mm WIDTH CARRIER TAPE

54150-**-78	44	49.4	45.4	44	20.2	24.1	54150-0878	80
MODEL NO.	キャリアテープ幅 CARRIER TAPE WIDTH	E	D	C	(B)	(A)	MATERIAL NO.	極数 CIRCUIT

REVISED EC NO: J2010-1271 DRWNSZUK101 CHYKDHIRATA APPROV:HIRATA 2010/06/02 2010/06/02 2010/06/16	GENERAL TOLERANCES (UNLESS SPECIFIED)		DIMENSION STYLE MM ONLY		SCALE ---	DESIGN UNITS METRIC	THIRD ANGLE PROJECTION	
	10 UNDER	±---	DRAWN BY _____ DATE _____		TITLE 0.5 B TO B CONN REC HSG ASSY W/ NAIL EMBSTP PKG			
	10 OVER 30 UNDER	±---	CHECKED BY _____ DATE _____		MOLEX INCORPORATED DOCUMENT NO. SD-54150-002 SHEET NO. 2 OF 2			
	30 OVER	±---	APPROVED BY _____ DATE _____					
ANGULAR ±--- °		MATERIAL NO. SEE TABLE		SIZE A3		THIS DRAWING CONTAINS INFORMATION THAT IS PROPRIETARY TO MOLEX INCORPORATED AND SHOULD NOT BE USED WITHOUT WRITTEN PERMISSION		
DRAFT WHERE APPLICABLE MUST REMAIN WITHIN DIMENSIONS								