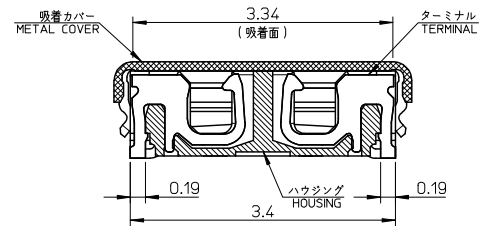
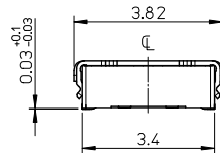
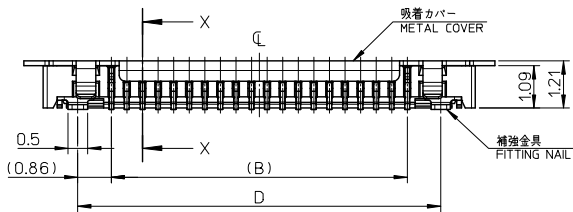
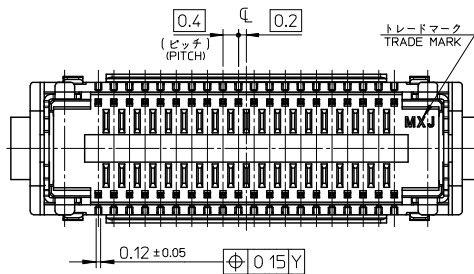


吸着カバー無し図(参考)
WITHOUT METAL COVER
(REFERENCE)



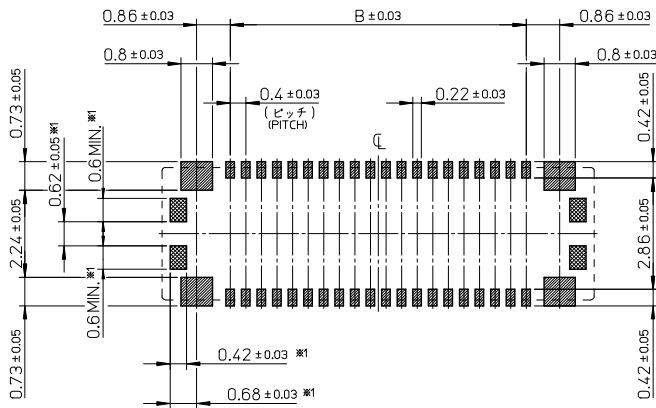
SECTION X-X



19.32	22.1	17.6	21.1	501527-0930	501527-0939	90
17.32	20.1	15.6	19.1	501527-0830	501527-0839	80
11.32	14.1	9.6	13.1	501527-0530	501527-0539	50
9.32	12.1	7.6	11.1	501527-0430	501527-0439	40
8.12	10.9	6.4	9.9	501527-3430	501527-3439	34
7.72	10.5	6.0	9.5	501527-3230	501527-3239	32
7.32	10.1	5.6	9.1	501527-0330	501527-0339	30
5.32	8.1	3.6	7.1	501527-0230	501527-0239	20

REVISED EC NO: J2009-0301 DRAWN BY: DRWMMBEL CHKD: THARYAMA APPR: NIKITA REV: 2008/08/27 2008/08/28 2008/08/28	GENERAL TOLERANCES (UNLESS SPECIFIED)		DIMENSION STYLE MM ONLY		SCALE 10:1	DESIGN UNITS METRIC	THIRD ANGLE PROJECTION
	10 UNDER	±0.2	DRAWN BY RTAKEUCHI	DATE 2005/10/25	TITLE 0.4 B-T0-B CONN. HGT=1.3 REC ASSY WITH COVER -LEAD FREE-		
	10 OVER 30 UNDER	±0.25	CHECKED BY THIRATA	DATE 2005/10/25	MOLEX INCORPORATED		
	30 OVER	±0.3	APPROVED BY MSASAO	DATE 2005/10/25	DOCUMENT NO. SD-501527-001		
ANGULAR ±3°		DRAFT WHERE APPLICABLE MUST REMAIN WITHIN DIMENSIONS		MATERIAL NO. SEE TABLE		SHEET NO. 1 OF 2	
SIZE A3				THIS DRAWING CONTAINS INFORMATION THAT IS PROPRIETARY TO MOLEX INCORPORATED AND SHOULD NOT BE USED WITHOUT WRITTEN PERMISSION			

10 9 8 7 6 5 4 3 2 1



※1 : 補強金具部と同一回路以外のパターン(配線)引き回し禁止範囲を示す。

参考基板レイアウト(マウント面)
P.C. BOARD PATTERN DIMENSION (REFERENCE)
(MOUNTING AREA)

注記 NOTES

1. 使用材料 MATERIAL

ハウジング: 液晶ポリマー(LCP) ガラス充填 UL94V-0 (黒)
HOUSING: LIQUID CRYSTAL POLYMER (GLASS FILLED) UL94V-0 (COLOR: BLACK)
ターミナル: 96 膏銅 (t=0.12)
TERMINAL: PHOSPHOR BRONZE (t=0.12)
金具: コルソン鋼 (t=0.12)
FITTING NAIL: CORSON TYPE COPPER ALLOY (t=0.12)
吸着カバー: ステンレス (t=0.12)
METAL COVER: STAINLESS (t=0.12)

2. メッキ仕様 PLATING

ターミナル TERMINAL

金メッキ 0.2 マイクロメートル以上 (コンタクト部)
GOLD 0.2 MICROMETER MINIMUM (CONTACT AREA)

金メッキ 0.4 マイクロメートル以下 (テール部)
GOLD 0.4 MICROMETER MAXIMUM (TAIL AREA)

下地メッキ: ニッケルメッキ 1.5 マイクロメートル以上
UNDER PLATING: NICKEL 1.5 MICROMETER MINIMUM

※コンタクト部とテール部はニッケルメッキによって分断されている金メッキです。
DIVIDE INTO PARTS THE GOLD PLATING OF THE CONTACT AND THE TAIL PART BY THE NICKEL PLATING.

金具 FITTING NAIL

半田付け処理 (金・パラジウムコート)
SOLDERABILITY IMPROVEMENT COAT (Au & Pd COAT)

下地メッキ: ニッケルメッキ 1.0 マイクロメートル以上
UNDER PLATING: NICKEL 1.0 MICROMETER MINIMUM

△ (全極数/2) = 偶数の場合に適用。
APPLY FOR (CIRCUIT/2) = EVEN.

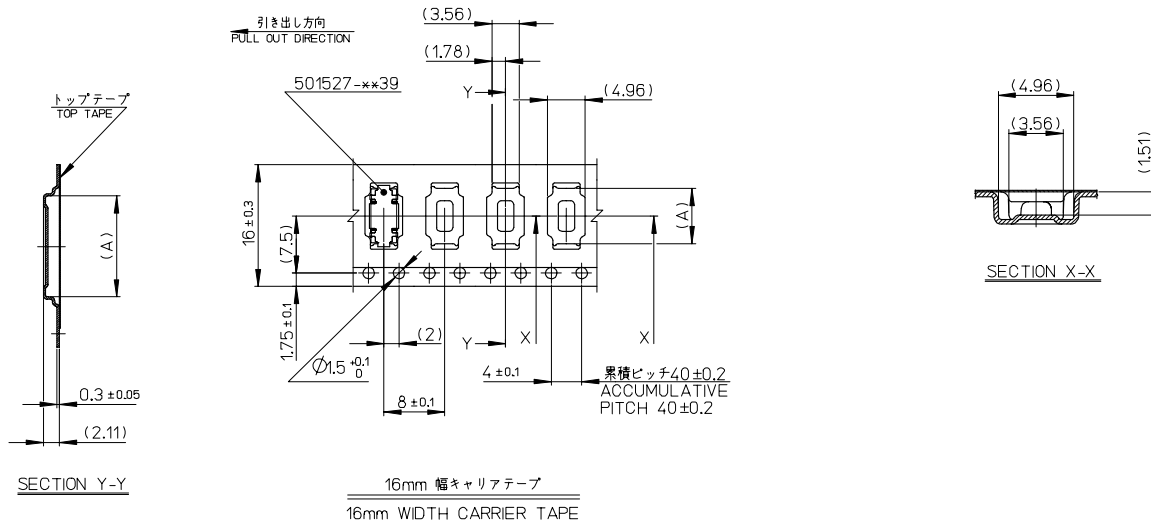
4. 嵌合相手: 501531 シリーズ
MATE WITH: 501531 SERIES.

5. テール平坦度は、0.08 以下

テール及び金具の平坦度は、0.1 以下
TAIL COPLANARITY TO BE 0.08 MAXIMUM.
TAIL AND FITTING NAIL COPLANARITY TO BE 0.1 MAXIMUM.

REVISED EC NO: J2009-0301 2008/08/27 DRAWN BY: DRW:HMABEI CHKD: THARYAMA 2008/08/28 APPR: NIKITA 2008/08/28	GENERAL TOLERANCES (UNLESS SPECIFIED)		DIMENSION STYLE MM ONLY		SCALE 10:1	DESIGN UNITS METRIC	THIRD ANGLE PROJECTION
	10 UNDER	±0.2	DRAWN BY RTAKEUCHI	DATE 2005/10/25	TITLE 0.4 B-TO-B CONN. HGT=1.3 REC ASSY WITH COVER -LEAD FREE-		
	10 OVER 30 UNDER	±0.25	CHECKED BY THIRATA	DATE 2005/10/25	MOLEX INCORPORATED		
	30 OVER	±0.3	APPROVED BY MSASAO	DATE 2005/10/25	DOCUMENT NO. SD-501527-001	SHEET NO. 2 OF 2	
DESCRIPTION ANGULAR ±3° DRAFT WHERE APPLICABLE MUST REMAIN WITHIN DIMENSIONS	MATERIAL NO. SEE SHEET 1		THIS DRAWING CONTAINS INFORMATION THAT IS PROPRIETARY TO MOLEX INCORPORATED AND SHOULD NOT BE USED WITHOUT WRITTEN PERMISSION				

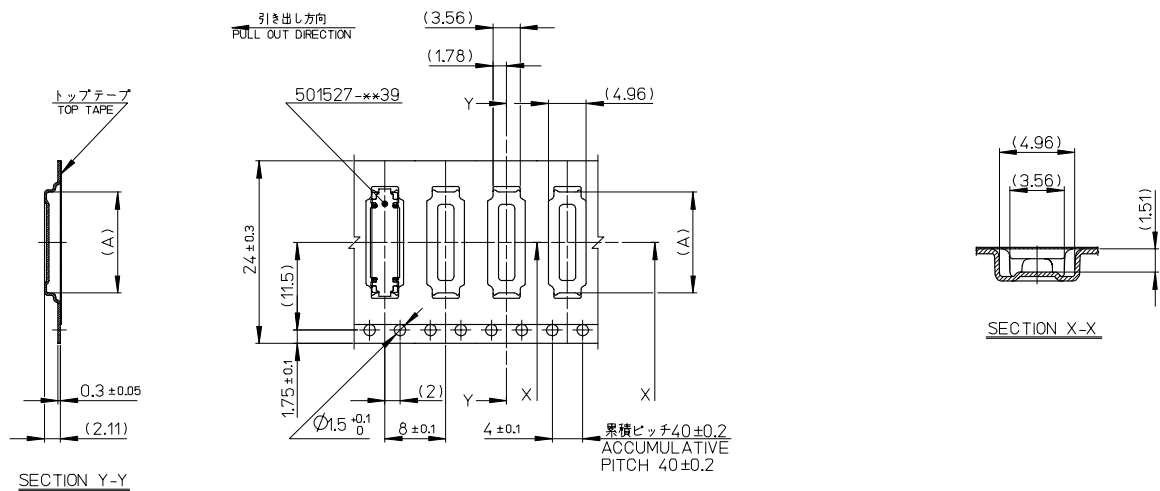
ib_frame_A3_J_AM_S Rev. E 2006/04/15 9 8 7 6 5 4 3 2 1 EN-02DA(021)



16mm 幅キャリアテープ
16mm WIDTH CARRIER TAPE

16	17.5	7.26	501527-0230	20
キャリアテープ幅 CARRIER TAPE WIDTH	B	(A)	MATERIAL No.	CKT.
			MODEL No.	501527-**-**30

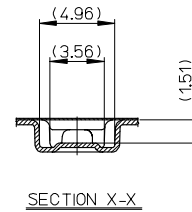
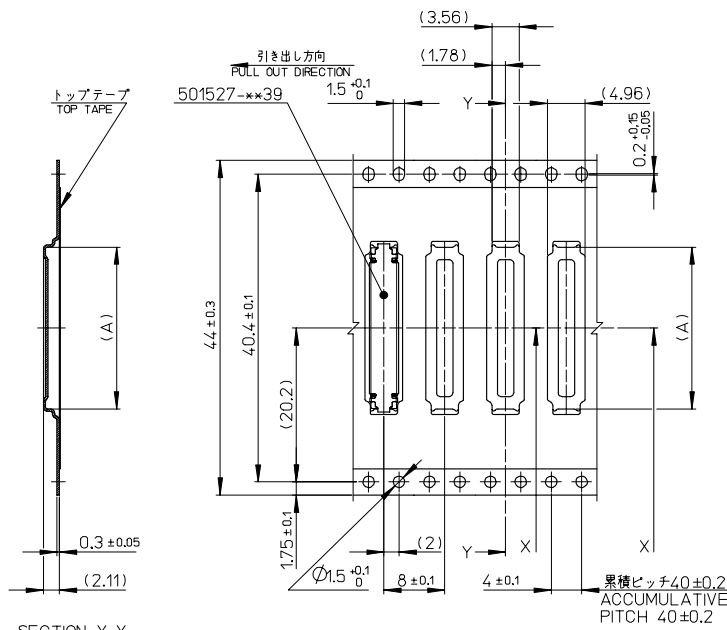
REVISED EC NO. J2007-3237 DRW:KSAI1001 CHK:KTOYODA APPR:NIKIITA	2007/08/02	2007/08/02	2007/08/02	2007/08/02	GENERAL TOLERANCES (UNLESS SPECIFIED) 10 UNDER ± --- 10 OVER 30 UNDER ± --- 30 OVER ± --- ANGULAR ± --- ° DRAFT WHERE APPLICABLE MUST REMAIN WITHIN DIMENSIONS	DIMENSION STYLE MM ONLY SCALE --- DESIGN UNITS METRIC THIRD ANGLE PROJECTION	TITLE 0.4 B-TO-B CONN. HGT=1.3 REC ASSY WITH COVER EMBSTP PKG -LEAD FREE- MOLEX INCORPORATED	
	DESCRIPTION	DATE	DATE	DATE				
	DRAWN BY	DATE	CHECKED BY	DATE				
	APPROVED BY	DATE	DATE	DATE				
						MATERIAL NO. SEE CHART	DOCUMENT NO. SD-501527-002	SHEET NO. 2 OF 4
THIS DRAWING CONTAINS INFORMATION THAT IS PROPRIETARY TO MOLEX INCORPORATED AND SHOULD NOT BE USED WITHOUT WRITTEN PERMISSION								



24mm 幅キャリアテープ
24mm WIDTH CARRIER TAPE

24	25.5	13.26	501527-0530	50
		11.26	501527-0430	40
		10.06	501527-3430	34
		9.66	501527-3230	32
		9.26	501527-0330	30
キャリアテープ幅 CARRIER TAPE WIDTH		B	(A)	MATERIAL No. 501527-***30 MODEL No. 501527-***30

REVISED EC NO. J2007-3237 DRW:KSAI1001 CHK:KTOYODA APP:NIKIITA	2007/08/02	2007/08/02	2007/08/02	GENERAL TOLERANCES (UNLESS SPECIFIED)	DIMENSION STYLE MM ONLY	SCALE ---	DESIGN UNITS METRIC	THIRD ANGLE PROJECTION		
	10 UNDER	± ---	DRAWN BY RTAKEUCHI						DATE 2005/10/26	TITLE 0.4 B-TO-B CONN. HGT=1.3 REC ASSY WITH COVER EMBSTP PKG -LEAD FREE-
	10 OVER	± ---	CHECKED BY THIRATA						DATE 2005/10/26	
	30 OVER	± ---	APPROVED BY MSASAO						DATE 2005/10/26	
ANGULAR	± --- °	MATERIAL NO.	DOCUMENT NO. SD-501527-002							
DRAFT WHERE APPLICABLE MUST REMAIN WITHIN DIMENSIONS				SEE CHART	THIS DRAWING CONTAINS INFORMATION THAT IS PROPRIETARY TO MOLEX INCORPORATED AND SHOULD NOT BE USED WITHOUT WRITTEN PERMISSION		SHEET NO. 3 OF 4			



44mm 幅キャリアテープ
44mm WIDTH CARRIER TAPE

44	45.5	21.26	501527-0930	90
キャリアテープ幅 CARRIER TAPE WIDTH	B	19.26	501527-0830	80
	(A)		MATERIAL No.	CKT.
			MODEL No.	501527-***30

REVISED EC NO. J2007-3237 DRW:KSAI1001 CHK:KTYODA APPR:NUMITA 2007/08/01 2007/08/02 2007/08/02	GENERAL TOLERANCES (UNLESS SPECIFIED)		DIMENSION STYLE	SCALE	DESIGN UNITS	THIRD ANGLE PROJECTION
	10 UNDER	±---	MM ONLY	---	METRIC	
	10 OVER	±---				
	30 UNDER	±---				
	30 OVER	±---				
	ANGULAR	±---°				
	DRAFT WHERE APPLICABLE MUST REMAIN WITHIN DIMENSIONS		DRAWN BY RTAKEUCHI DATE 2005/10/26		TITLE	
			CHECKED BY THIRATA DATE 2005/10/26		0.4 B-TO-B CONN. HGT=1.3 REC ASSY WITH COVER EMBSTP PKG -LEAD FREE-	
			APPROVED BY MSASAO DATE 2005/10/26		MOLEX INCORPORATED	
			MATERIAL NO.		DOCUMENT NO.	
			SEE CHART		SD-501527-002	
			SIZE A3		THIS DRAWING CONTAINS INFORMATION THAT IS PROPRIETARY TO MOLEX INCORPORATED AND SHOULD NOT BE USED WITHOUT WRITTEN PERMISSION	
					SHEET NO. 4 OF 4	