

注記 NOTES:

1. 使用材料 MATERIAL  
 ハウジング: LCPガラス入り(白), UL94V-0  
 HOUSING: LCP(G.F.)(COLOR: WHITE), UL94V-0  
 ターミナル: リン青銅 (t=0.15)  
 TERMINAL: PHOSPHOR BRONZE (t=0.15)
  2. メッキ仕様 PLATING  
 全体仕上げ: 金メッキ 0.1 MICROMETER MIN.  
 ALL OVER: GOLD 0.1 MICROMETER MIN.  
 下地メッキ: ニッケルメッキ 1.5 MICROMETER MIN.  
 UNDER PLATING: NICKEL 1.5 MICROMETER MIN.
  3. 基準面 X からのソルダータールの半田付け面のズレ量は、上方向 0、下方向 0.15MAX. とする。  
 MISALIGNMENT OF SOLDER TAIL FROM X  
 : UPPER DIRECTION 0, LOWER DIRECTION 0.15 MAX.
- △ (全極数/2) = 偶数の場合に適用。  
 APPLY FOR (CIRCUIT/2) = EVEN.

- 5 嵌合相手: 53748 シリーズ 53916 シリーズ 502280 シリーズ  
 MATE WITH: 53748 SERIES, 53916 SERIES, 502280 SERIES.
- 6 テール平坦度は、0.1MAX.  
 TAIL COPLANARITY TO BE 0.1MAX.

23.8	20.2	19.5	52991-0800	80
21.3	17.7	17.0	-0700	70
18.8	15.2	14.5	-0600	60
16.3	12.7	12.0	-0500	50
13.8	10.2	9.5	-0400	40
11.3	7.7	7.0	-0300	30
8.8	5.2	4.5	52991-0200	20

REVISED	DESCRIPTION	GENERAL TOLERANCES (UNLESS SPECIFIED)	DIMENSION STYLE	SCALE	DESIGN UNITS	THIRD ANGLE PROJECTION
EC NO: J2007-0273	2006/07/28	10 UNDER ±0.2	MM ONLY	8:1	METRIC	◎ □
DRWN: TENAGASE	2006/08/03	10 OVER 30 UNDER ±0.25	DRAWN BY	DATE	TITLE	
CHKD: THAYAMA	2006/08/07	30 OVER ±0.3	S. AIHARA	'96/02/27	0.5 B/B CONN REC HOUSING ASSY(W/O BOSS, W/O NAIL) -LEAD FREE-	
APPR: NUKITA	2006/08/07	ANGULAR ±3 °	CHECKED BY	DATE	MOLEX INCORPORATED	
		DRAFT WHERE APPLICABLE MUST REMAIN WITHIN DIMENSIONS	M. SASAO	'01/12/26	SD-52991-004	
			APPROVED BY	DATE	DOCUMENT NO.	
			M. SASAO	'01/12/26	SD-52991-004	
			MATERIAL NO.	SIZE	THIS DRAWING CONTAINS INFORMATION THAT IS PROPRIETARY TO MOLEX INCORPORATED AND SHOULD NOT BE USED WITHOUT WRITTEN PERMISSION	
				A3	SHEET NO. 1 OF 1	

10 9 8 7 6 5 4 3 2 1

F

E

D

C

B

A

F

E

D

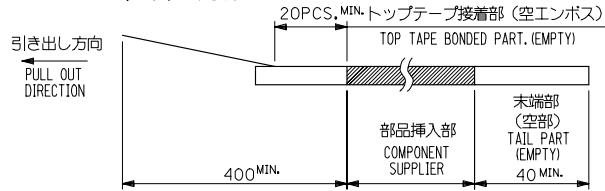
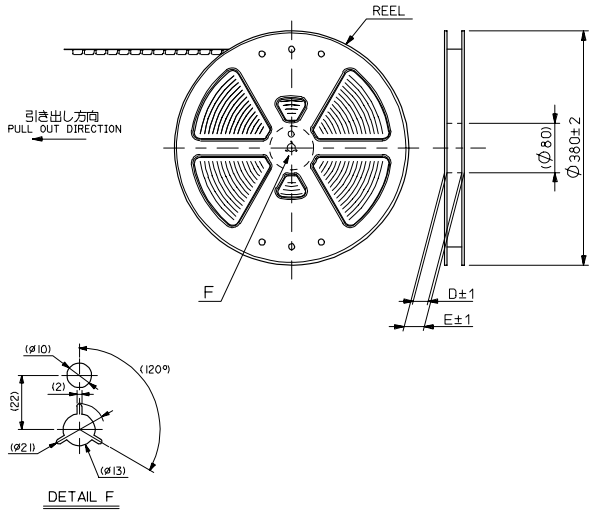
C

B

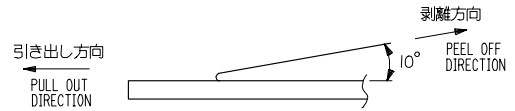
A

**NOTES**

1. 製品詳細寸法については図面 SD-52991-004 を参照下さい。  
RE DETAILED DIMENSION, SEE SD-52991-004
2. 梱包数量：3000個/リール  
NUMBER OF CONNECTORS : 3000PCS/REEL
3. リードテープ長さ LEAD TAPE LENGTH



4. トップテープの剥離強度：0.1N~1.3N (10gf~130gf) (剥離方向は下図参照)  
尚、本規格値は出荷時に適用。(但し、輸送時に剥離が発生しないこと。)  
PEELING OFF FORCE OF TOP TAPE : 0.1N~1.3N (10gf~130gf)  
(PEELING DIRECTION AS SHOWN IN FOLLOWING FIG.)  
THIS REQUIREMENT SHOULD BE APPLIED AT SHIPMENT.  
PEEL OFF SHOULD NOT BE ALLOWED , DURING TRANSPORTATION.



5. 材料 (MATERIAL)  
キャリアテープ (CARRIER TAPE) : ポリプロピレン (POLYPROPYLENE)  
トップテープ (TOPTAPE) : PET , PE , PEF  
リール (REEL) : ポリスチレン (P.S) <リサイクル材を含む>  
POLYSTYRENE (P.S) <RECYCLE MATERIAL CONTAINED>

52991-\*\*\*8 MODEL NO.

REVISED REV. NO. J2006-0604 EC NO. 2005/08/31 DRAWN BY INAHADA CHKD BY CHIKAKIYODA APP. BY NUKITA 2005/09/01 2005/09/09	GENERAL TOLERANCES (UNLESS SPECIFIED)		DIMENSION STYLE MM ONLY		SCALE ---	DESIGN UNITS METRIC	THIRD ANGLE PROJECTION
	10 UNDER	± 0.2	DRAWN BY T. NIITSU	DATE '95/10/17	TITLE 0.5 B/B CONN REC HSG ASSY EMBSTP PKG -LEAD FREE-		
	10 OVER 30 UNDER	± 0.25	CHECKED BY T. ITO	DATE '01/01/31			
	30 OVER	± 0.3	APPROVED BY M. FUKUSHIMA	DATE '01/01/31	MOLEX INCORPORATED		
ANGULAR	± 3 °	MATERIAL NO. SEE CHART		DOCUMENT NO. SD-52991-005			
DRAFT WHERE APPLICABLE MUST REMAIN WITHIN DIMENSIONS			THIS DRAWING CONTAINS INFORMATION THAT IS PROPRIETARY TO MOLEX INCORPORATED AND SHOULD NOT BE USED WITHOUT WRITTEN PERMISSION				

9

8

7

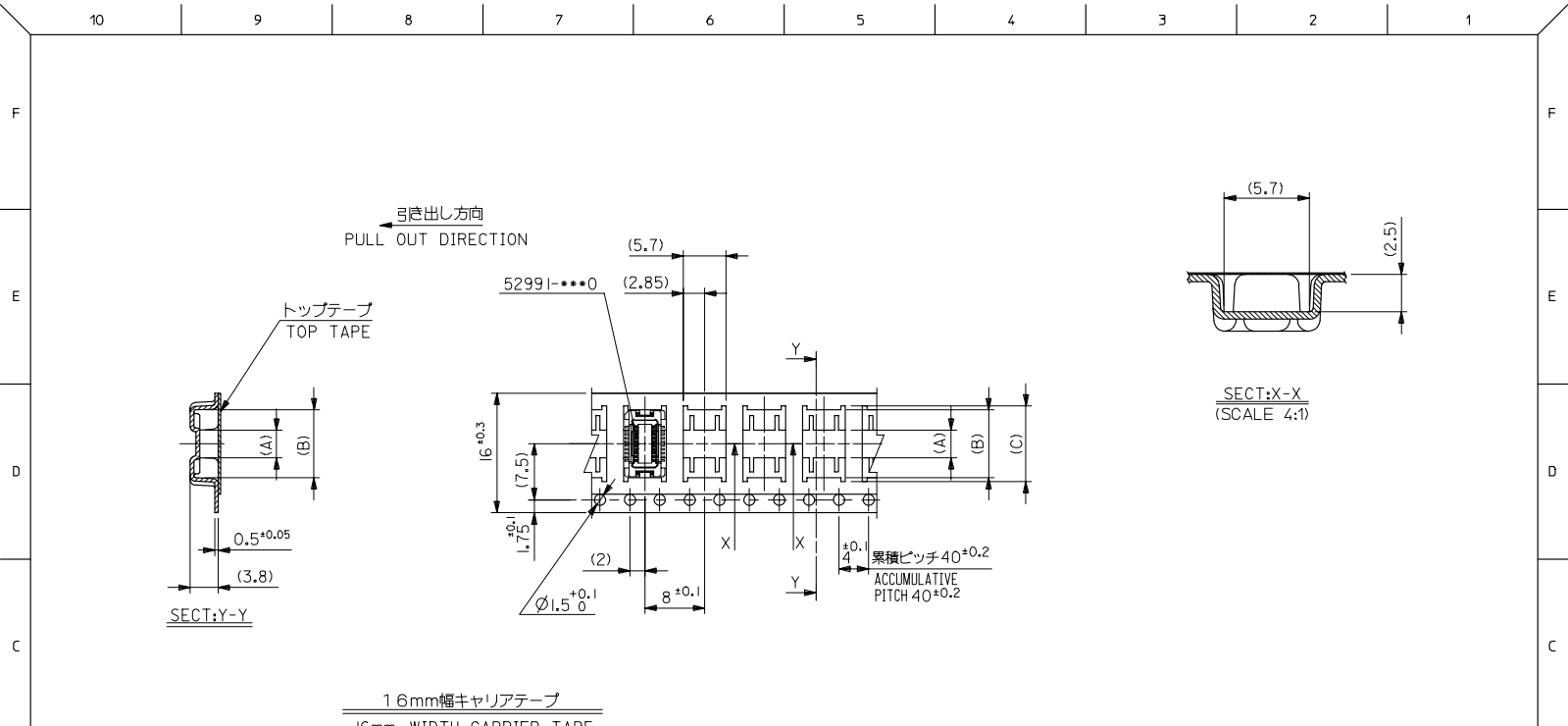
6

5

4

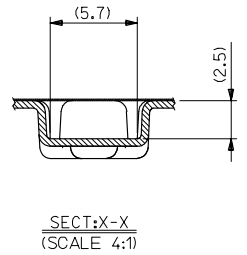
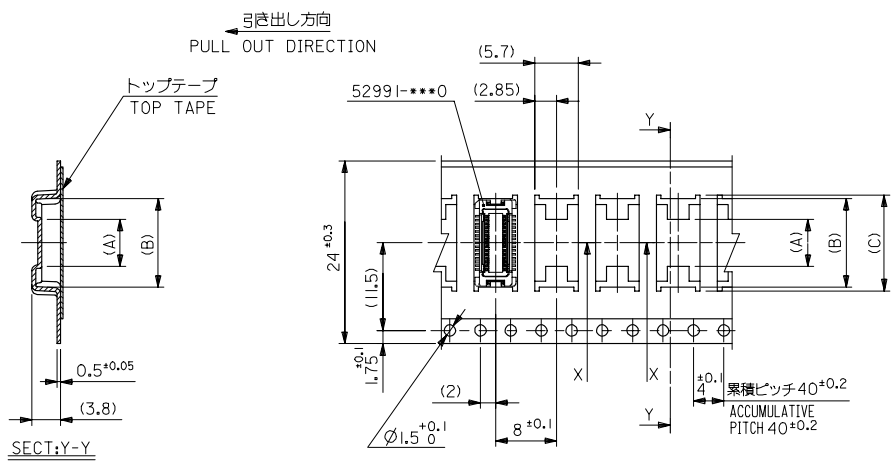
3

2



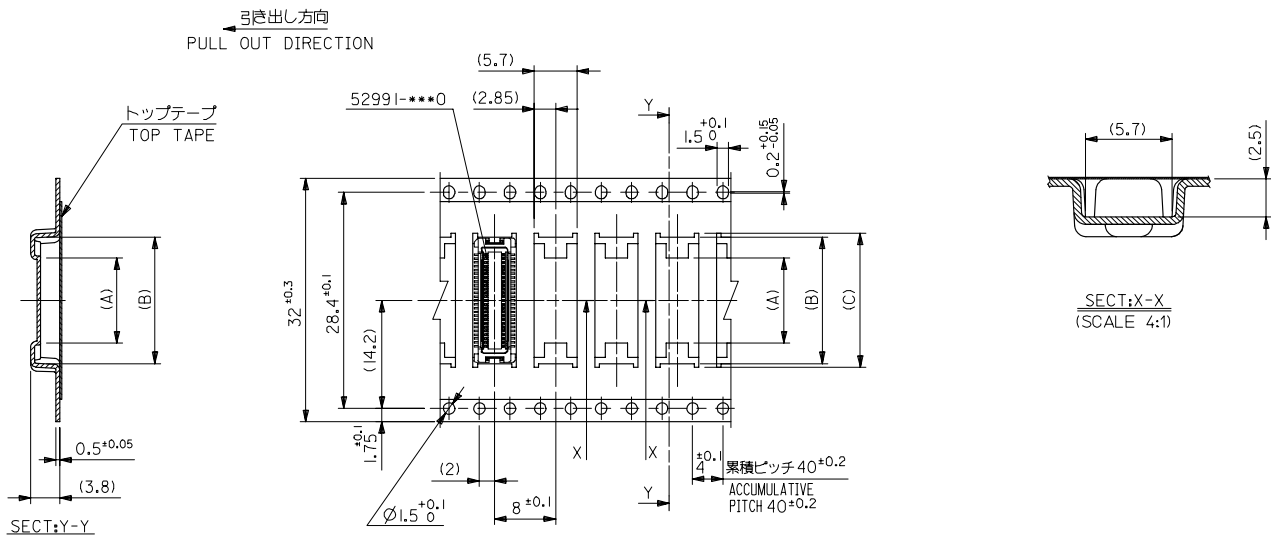
16mm幅キャリアテープ  
16mm WIDTH CARRIER TAPE

REVISED EC NO. J2006-0604 DRW:NAIDA 2005/08/31 CHK:KTOYODA 2005/09/01 APPR:NIKIITA 2005/09/09	52991-***8	MODEL NO.	16	21.4	17.4	10.1	9.1	3.7	52991-0208	20
	GENERAL TOLERANCES (UNLESS SPECIFIED)		DIMENSION STYLE		SCALE	DESIGN UNITS	THIRD ANGLE PROJECTION			
	10 UNDER	±---	MM ONLY		---	METRIC	0.5 B/B CONN REC HSG ASSY EMBSTP PKG -LEAD FREE-			
	10 OVER 30 UNDER	±---	DRAWN BY T. NIITSU		DATE '95/10/17	MOLEX INCORPORATED				
30 OVER	±---	CHECKED BY T. ITO		DATE '01/01/31	MATERIAL NO.		DOCUMENT NO.	SHEET NO.		
ANGULAR	±--- °	APPROVED BY M. FUKUSHIMA		DATE '01/01/31	SEE CHART		SD-52991-005	2 OF 6		
DRAFT WHERE APPLICABLE MUST REMAIN WITHIN DIMENSIONS		THIS DRAWING CONTAINS INFORMATION THAT IS PROPRIETARY TO MOLEX INCORPORATED AND SHOULD NOT BE USED WITHOUT WRITTEN PERMISSION								



24mm幅キャリアテープ  
24mm WIDTH CARRIER TAPE

REVISED EC NO. J2006-0604 DRAWN BY CHIKAKIYODA CHKD BY YODA APPR. NUKITA 2005/08/31 2005/09/01 2005/09/09	DESCRIPTION	52991-***8	MODEL NO.	24	29.4	25.4	15.1	14.1	7.4	52991-0408	40
		GENERAL TOLERANCES (UNLESS SPECIFIED)			DIMENSION STYLE MM ONLY			SCALE ---		DESIGN UNITS METRIC	THIRD ANGLE PROJECTION
10 UNDER		± ---		DRAWN BY S. AIHARA			DATE '96/04/01		TITLE 0.5 B/B CONN REC HSG ASSY EMBSTP PKG -LEAD FREE-		
10 OVER 30 UNDER		± ---		CHECKED BY T. ITO			DATE '01/01/31				
30 OVER		± ---		APPROVED BY M. FUKUSHIMA			DATE '01/01/31		MOLEX INCORPORATED		
ANGULAR		± --- °		MATERIAL NO.			DOCUMENT NO.				
DRAFT WHERE APPLICABLE MUST REMAIN WITHIN DIMENSIONS		SEE CHART			SD-52991-005			SHEET NO. 3 OF 6			
THIS DRAWING CONTAINS INFORMATION THAT IS PROPRIETARY TO MOLEX INCORPORATED AND SHOULD NOT BE USED WITHOUT WRITTEN PERMISSION											



32mm幅キャリアテープ  
32mm WIDTH CARRIER TAPE

REVISED REV D	EC NO. J2006-0604	2005/08/31	2005/09/01	2005/09/09	52991-***8	MODEL NO.	32	37.4	33.4	17.6	16.6	11.2	52991-0508	50	
	DRW:NAIDA	CHK:KTOYODA	APP:NIKIITA	DESCRIPTION	GENERAL TOLERANCES (UNLESS SPECIFIED)	DIMENSION STYLE	キャリアテープ幅 CARRIER TAPE WIDTH		E	D	(C)	(B)	(A)	MATERIAL NO.	種数 CKT.
	10 UNDER ± ---					MM ONLY		SCALE		DESIGN UNITS		THIRD ANGLE PROJECTION			
	10 OVER 30 UNDER ± ---					DRAWN BY T.YASUI		DATE '96/04/15		TITLE					
30 OVER ± ---					CHECKED BY T. ITO		DATE '01/01/31		0.5 B/B CONN REC HSG ASSY EMBSTP PKG -LEAD FREE-						
ANGULAR ± --- °					APPROVED BY M.FUKUSHIMA		DATE '01/01/31		MOLEX INCORPORATED						
DRAFT WHERE APPLICABLE MUST REMAIN WITHIN DIMENSIONS					MATERIAL NO.		SEE CHART		DOCUMENT NO.		SD-52991-005			SHEET NO.	
					SIZE A3		THIS DRAWING CONTAINS INFORMATION THAT IS PROPRIETARY TO MOLEX INCORPORATED AND SHOULD NOT BE USED WITHOUT WRITTEN PERMISSION								4 OF 6

10 9 8 7 6 5 4 3 2 1

F

E

D

C

B

A

F

E

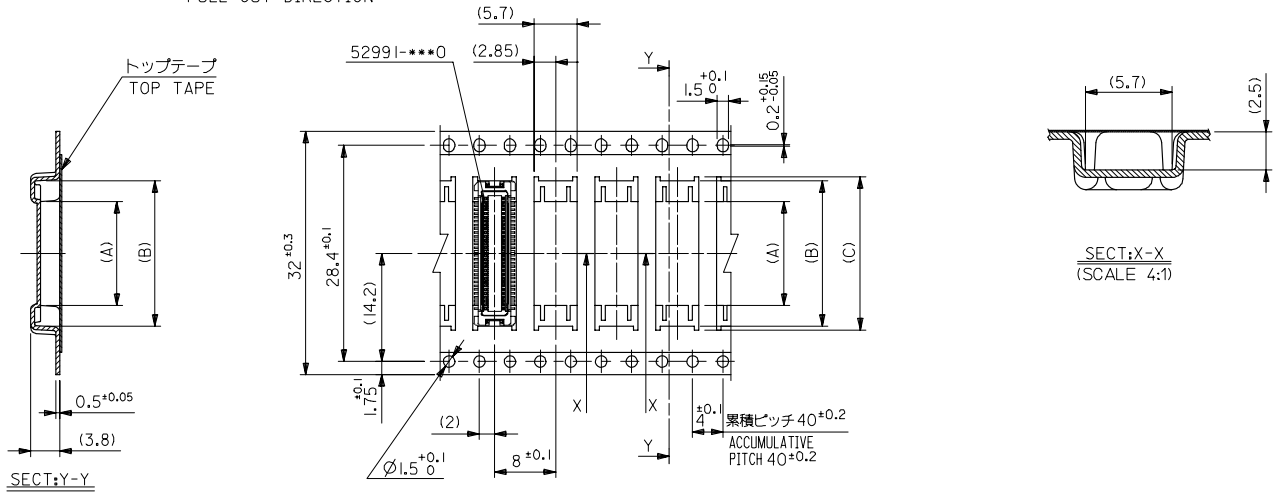
D

C

B

A

引き出し方向  
PULL OUT DIRECTION



32mm幅キャリアテープ  
32mm WIDTH CARRIER TAPE

REVISED		DESCRIPTION		GENERAL TOLERANCES (UNLESS SPECIFIED)		DIMENSION STYLE		SCALE		DESIGN UNITS		THIRD ANGLE PROJECTION	
EC NO.	J2006-0604	DATE	2005/08/31	DRY	±---	MM ONLY	---	METRIC	◎	0.5 B/B CONN REC HSG ASSY EMBSTP PKG -LEAD FREE-			
DRW	CHIKUDA	DATE	2005/09/01	10 UNDER	±---	DRAWN BY	S. AIHARA	DATE	'96/04/01	MOLEX INCORPORATED			
CHK	CHIKUDA	DATE	2005/09/01	10 OVER 30 UNDER	±---	CHECKED BY	T. ITO	DATE	'01/01/31				
APP	NUMITA	DATE	2005/09/09	30 OVER	±---	APPROVED BY	M. FUKUSHIMA	DATE	'01/01/31				
DRAFT WHERE APPLICABLE MUST REMAIN WITHIN DIMENSIONS				ANGULAR	±--- °	MATERIAL NO.	SEE CHART		DOCUMENT NO.	SD-52991-005		SHEET NO.	5 OF 6
THIS DRAWING CONTAINS INFORMATION THAT IS PROPRIETARY TO MOLEX INCORPORATED AND SHOULD NOT BE USED WITHOUT WRITTEN PERMISSION													EN-02JA(021)

9

8

7

6

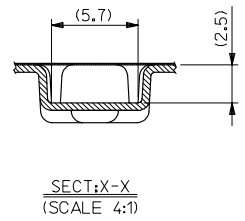
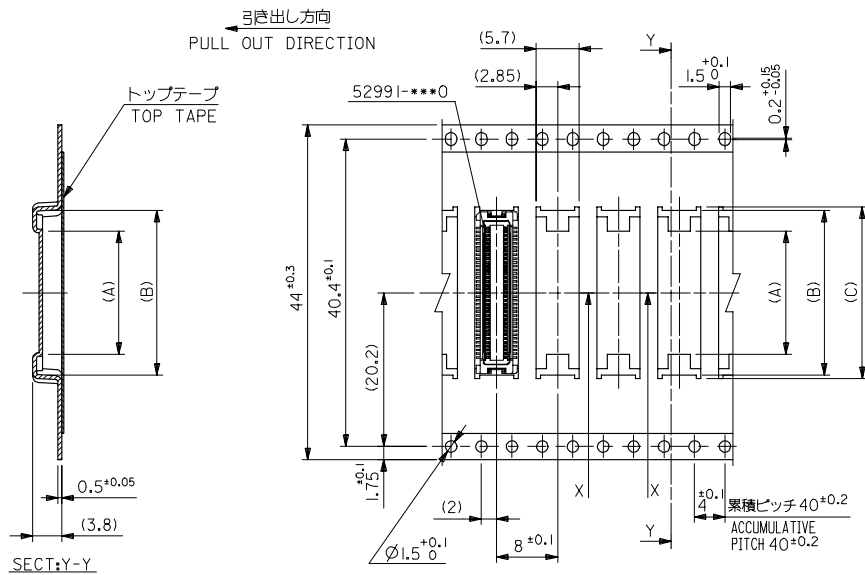
5

4

3

2

EN-02JA(021)



44mm幅キャリアテープ  
44mm WIDTH CARRIER TAPE

REVISED EC NO. J2006-0604 DRAWN BY CHIKAKIYODA CHKD BY YODA APP: NUKITA	DESCRIPTION 2005/08/31 2005/09/01 2005/09/09	52991-***8	MODEL NO.	44	49.4	45.4	25.1	24.1	18.7	52991-0808	80
				キャリアテープ幅 CARRIER TAPE WIDTH	E	D	(C)	(B)	(A)	MATERIAL NO.	種数 CKT.
GENERAL TOLERANCES (UNLESS SPECIFIED)				DIMENSION STYLE MM ONLY		SCALE ---	DESIGN UNITS METRIC		THIRD ANGLE PROJECTION		
10 UNDER ± ---				DRAWN BY T. YASUI		DATE '96/04/15		TITLE 0.5 B/B CONN REC HSG ASSY EMBSTP PKG -LEAD FREE-			
10 OVER 30 UNDER ± ---				CHECKED BY T. ITO		DATE '01/01/31		MOLEX INCORPORATED			
30 OVER ± ---				APPROVED BY M. FUKUSHIMA		DATE '01/01/31		DOCUMENT NO. SD-52991-005			
ANGULAR ± --- °				MATERIAL NO. SEE CHART		DOCUMENT NO. SD-52991-005		SHEET NO. 6 OF 6			
DRAFT WHERE APPLICABLE MUST REMAIN WITHIN DIMENSIONS				THIS DRAWING CONTAINS INFORMATION THAT IS PROPRIETARY TO MOLEX INCORPORATED AND SHOULD NOT BE USED WITHOUT WRITTEN PERMISSION							