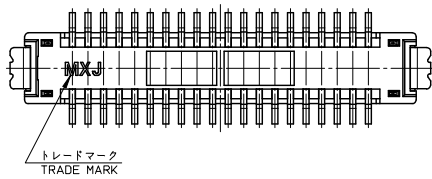
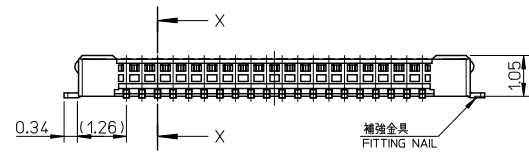
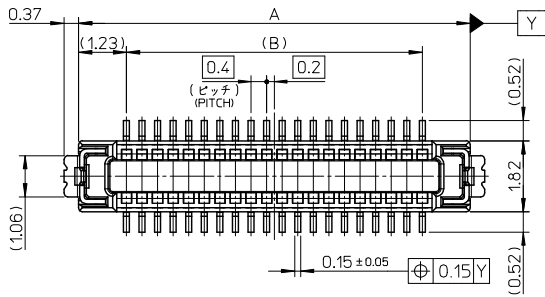


10 9 8 7 6 5 4 3 2 1



注記 NOTES

1. 使用材料 MATERIAL

ウェハ: 液晶ポリマー (LCP) ガラス充填 UL94V-0 (黒)  
 WAFER: LIQUID CRYSTAL POLYMER (GLASS FILLED)  
 UL94V-0 (COLOR:BLACK)

ピン: 黄銅 (t=0.1)  
 PIN: BRASS (t=0.1)

金具: 0.6青銅 (t=0.12)  
 FITTING NAIL: PHOSPHOR BRONZE (t=0.12)

2. メッキ仕様 PLATING

ピン PIN

金メッキ 0.2 マイクロメートル以上 (コンタクト部)  
 GOLD 0.2MICROMETER MINIMUM (CONTACT AREA)

金メッキ 0.4 マイクロメートル以下 (テール部)  
 GOLD 0.4 MICROMETER MAXIMUM (TAIL AREA)

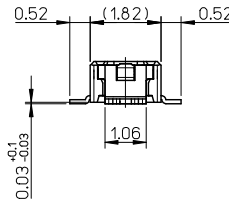
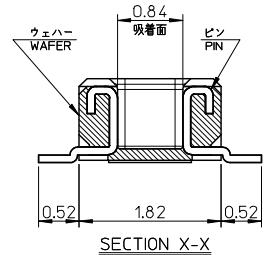
下地メッキ: ニッケルメッキ 1.5 マイクロメートル以上  
 UNDER PLATING: NICKEL 1.5MICROMETER MINIMUM

金具 FITTING NAIL

半田付け処理 (金・パラジウムコート)  
 SOLDERABILITY IMPROVEMENT COAT (Au & Pd-Ni COAT)

下地メッキ: ニッケルメッキ 1.0 マイクロメートル以上  
 UNDER PLATING: NICKEL 1.0MICROMETER MINIMUM

- △ [全極数/2] = 偶数の場合に適用.  
 APPLY OFR (CIRCUIT/2)=EVEN.
- 4. 嵌合相手: 501527 シリーズ  
 MATE WITH: 501527 SERIES.
- 5. テール平坦度は、0.08 以下  
 テール及び金具の平坦度は、0.1 以下  
 TAIL COPLANARITY TO BE 0.08MAXIMUM  
 TAIL AND FITTING NAIL  
 COPLANARITY TO BE 0.1MAXIMUM

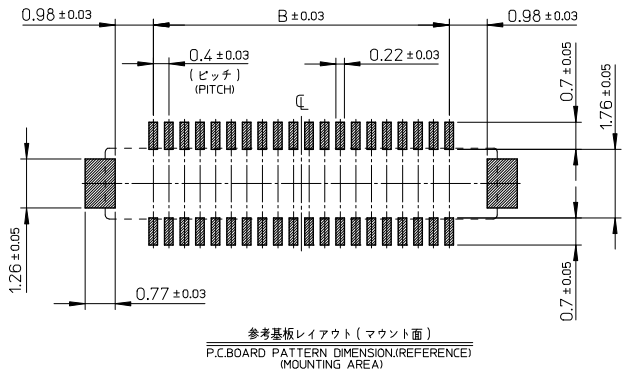
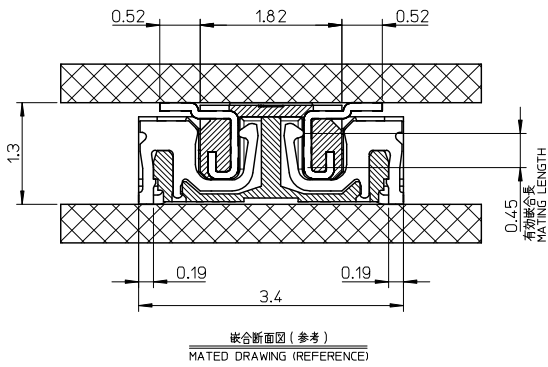


17.6	20.06	501531-0910	501531-0919	90
15.6	18.06	501531-0810	501531-0819	80
9.6	12.06	501531-0510	501531-0519	50
7.6	10.06	501531-0410	501531-0419	40
6.4	8.86	501531-3410	501531-3419	34
6.0	8.46	501531-3210	501531-3219	32
5.6	8.06	501531-0310	501531-0319	30
3.6	6.06	501531-0210	501531-0219	20

B	A	EMBOSSED TAPE PKG.	MATERIAL No.	CKT
		ORDER No. オート番号	MODEL No. : 501531-**-19	

REVISED EC NO: J2009-0301 DRAWN BY: DRWNNABEI CHKD: THARYAMA APPR: NIKITA D	DESCRIPTION 2008/08/27 2008/08/28 2008/08/28	GENERAL TOLERANCES (UNLESS SPECIFIED)		DIMENSION STYLE MM ONLY		SCALE 10:1	DESIGN UNITS METRIC	THIRD ANGLE PROJECTION	
		10 UNDER	±0.2	DRAWN BY RTAKEUCHI	DATE 2005/10/25	TITLE 0.4 B-TO-B CONN. HGT=1.3 PLUG ASSY [OVERMOLD] -LEAD FREE-			
		10 OVER 30 UNDER	±0.25	CHECKED BY THIRATA	DATE 2005/10/25	MOLEX INCORPORATED DOCUMENT NO. SD-501531-001			
		30 OVER	±0.3	APPROVED BY MSASAO	DATE 2005/10/25				
ANGULAR ±3 °		DRAFT WHERE APPLICABLE MUST REMAIN WITHIN DIMENSIONS		MATERIAL NO. SEE TABLE		THIS DRAWING CONTAINS INFORMATION THAT IS PROPRIETARY TO MOLEX INCORPORATED AND SHOULD NOT BE USED WITHOUT WRITTEN PERMISSION			

10 9 8 7 6 5 4 3 2 1



REVISED EC NO: J2009-0301 DRAWN BY: DRW:HMABEI CHKD: THIRUYAMA APPR: NIKITA	GENERAL TOLERANCES (UNLESS SPECIFIED)		DIMENSION STYLE MM ONLY	SCALE 10:1	DESIGN UNITS METRIC	THIRD ANGLE PROJECTION
	10 UNDER	± 0.2	DRAWN BY RTAKEUCHI	DATE 2005/10/25	TITLE 0.4 B-TO-B CONN. HGT=1.3 PLUG ASSY [OVERMOLD] -LEAD FREE-	
	10 OVER 30 UNDER	± 0.25	CHECKED BY THIRATA	DATE 2005/10/25	MOLEX INCORPORATED	
	30 OVER	± 0.3	APPROVED BY MSASAO	DATE 2005/10/25	DOCUMENT NO. SD-501531-001	SHEET NO. 2 OF 2
	ANGULAR	± 3 °	MATERIAL NO. SEE SHEET 1	THIS DRAWING CONTAINS INFORMATION THAT IS PROPRIETARY TO MOLEX INCORPORATED AND SHOULD NOT BE USED WITHOUT WRITTEN PERMISSION		
	DRAFT WHERE APPLICABLE MUST REMAIN WITHIN DIMENSIONS					

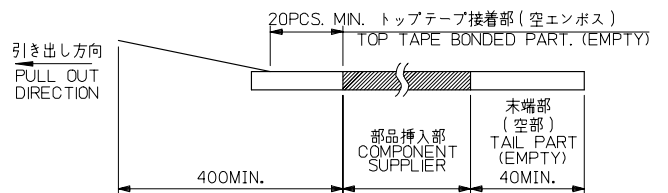
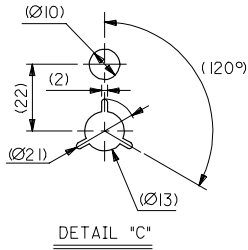
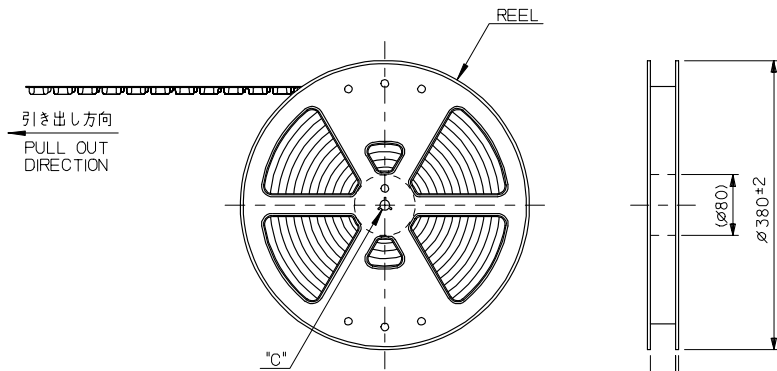
ib\_frame\_A3\_J\_AM\_S  
Rev. E 2006/04/15

EN-02DA(021)

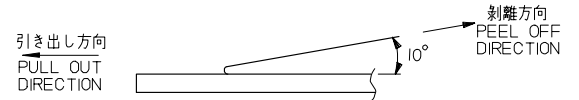
10 9 8 7 6 5 4 3 2 1

注記 NOTES

- 製品詳細寸法については製品単体図面を参照下さい。  
RE DETAILED DIMENSION, SEE PRODUCT DRAWING.
- 梱包数量: 6000 個/リール  
NUMBER OF CONNECTORS: 6000PCS/REEL
- リードテープ長さ LEAD TAPE LENGTH



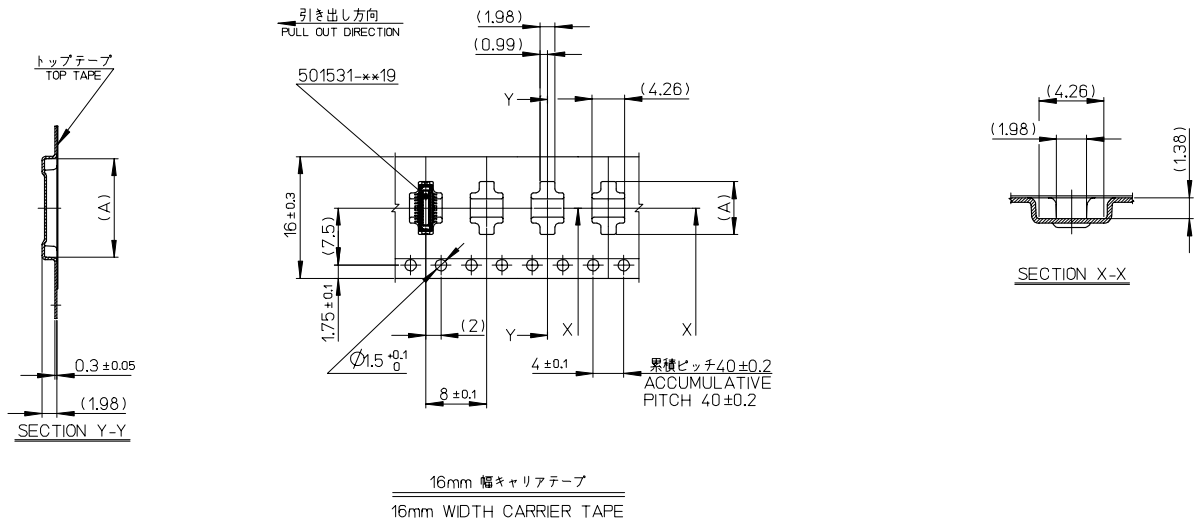
- トップテープの剥離強度: JES-59 参照  
剥離方向は下図参照。  
PEELING OFF STRENGTH OF TOP TAPE: REFER TO JES-59  
PEELING DIRECTION AS SHOWN IN FOLLOWING FIGURE.



- 材料 MATERIAL  
キャリアテープ (CARRIER TAPE): ポリスチレン (POLYSTYRENE)  
トップテープ (TOP TAPE): PET, PE, PEF  
リール (REEL): ポリスチレン (PS) <リサイクル材を含む>  
POLYSTYRENE (PS) <RECYCLE MATERIAL CONTAINED>

MODEL NO. 501531-\*\*\*10  
THIRD ANGLE PROJECTION

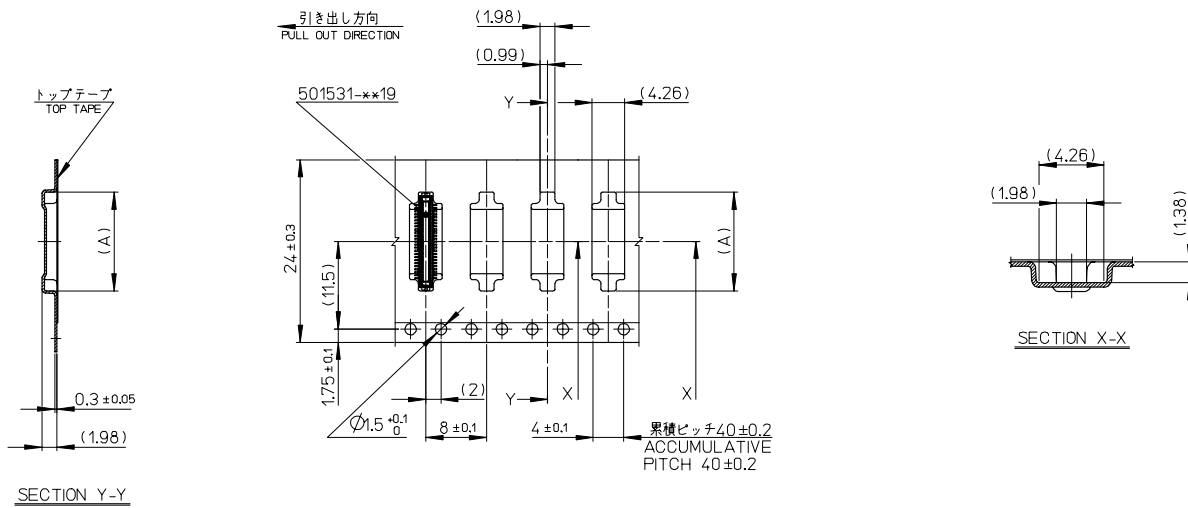
REVISED EC NO: J2007-3237 DRW: KSAI1001 CHK: KTOYODA APP: NUKITA	2007/08/01	2007/08/02	2007/08/02	GENERAL TOLERANCES (UNLESS SPECIFIED)	DIMENSION STYLE MM ONLY	SCALE ---	DESIGN UNITS METRIC	TITLE 0.4 B-TO-B CONN. HGT=1.3 PLUG ASSY EMBSTP PKG -LEAD FREE-
	DESCRIPTION	10 UNDER	±---					
		10 OVER 30 UNDER	±---					
		30 OVER	±---					
		ANGULAR	±---°					
	DRAFT WHERE APPLICABLE MUST REMAIN WITHIN DIMENSIONS			MATERIAL NO. SEE CHART	DOCUMENT NO. SD-501531-002	SHEET NO. 1 OF 5		
C					SIZE A3	THIS DRAWING CONTAINS INFORMATION THAT IS PROPRIETARY TO MOLEX INCORPORATED AND SHOULD NOT BE USED WITHOUT WRITTEN PERMISSION		



16mm 幅キャリアテープ  
16mm WIDTH CARRIER TAPE

16	17.5	6.96	501531-0210	20
キャリアテープ幅 CARRIER TAPE WIDTH		B	(A)	MATERIAL No. CKT.
			MODEL No.	501531-**10

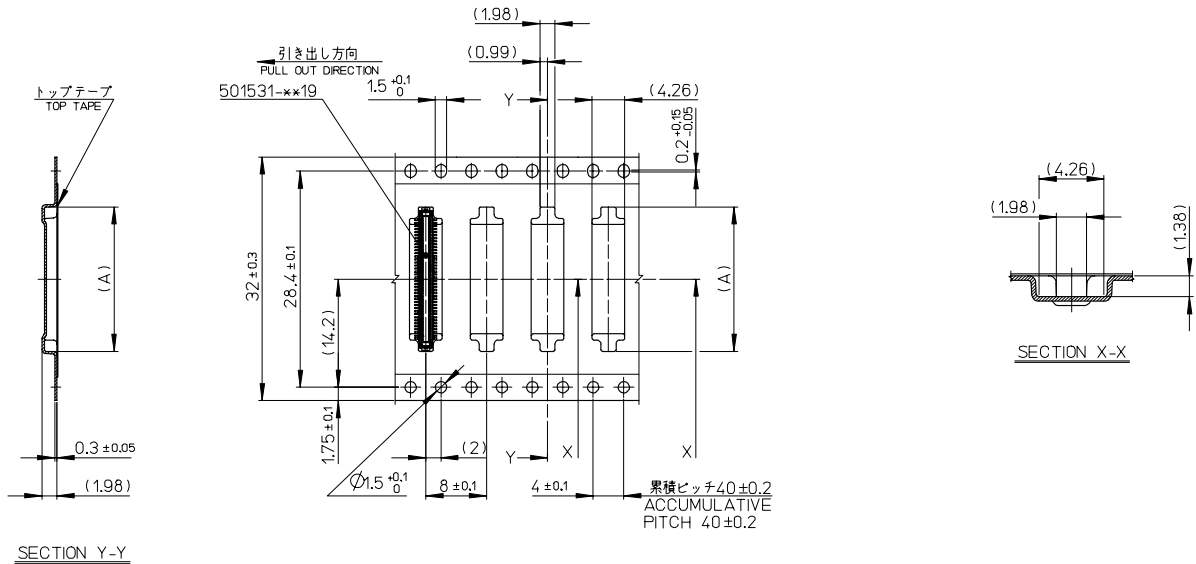
REVISED EC NO. J2007-3237 DRW:KSAI1001 CHK:KTOYODA APP:NUMITA	2007/08/01	2007/08/02	2007/08/02	GENERAL TOLERANCES (UNLESS SPECIFIED)	DIMENSION STYLE	SCALE	DESIGN UNITS	THIRD ANGLE PROJECTION		
	10 UNDER	± ---	DRAWN BY		DATE	MM ONLY	---		METRIC	
	10 OVER	± ---	CHECKED BY		DATE	TITLE				
	30 UNDER	± ---	THIRATA		2005/10/27	0.4 B-TO-B CONN. HGT=1.3 PLUG ASSY EMBSTP PKG -LEAD FREE-				
30 OVER	± ---	APPROVED BY	DATE	ANGULAR	± --- °	MSASAO	2005/10/27	MOLEX INCORPORATED		
DRAFT WHERE APPLICABLE MUST REMAIN WITHIN DIMENSIONS				SEE CHART	MATERIAL NO.	DOCUMENT NO.	SHEET NO.			
					A3	THIS DRAWING CONTAINS INFORMATION THAT IS PROPRIETARY TO MOLEX INCORPORATED AND SHOULD NOT BE USED WITHOUT WRITTEN PERMISSION				



24mm 幅キャリアテープ  
24mm WIDTH CARRIER TAPE

24	25.5	12.96	501531-0510	50
		10.96	501531-0410	40
		9.76	501531-3410	34
		9.36	501531-3210	32
		8.96	501531-0310	30
キャリアテープ幅 CARRIER TAPE WIDTH		B	(A)	MATERIAL No. CKT. MODEL No. 501531-xx10

REVISED EC NO. J2007-3237 DRW:KSAI1001 CHK:KTOYODA APPR:NIKIITA	2007/08/02	2007/08/02	2007/08/02	GENERAL TOLERANCES (UNLESS SPECIFIED) <del>10 UNDER</del> ± --- <del>10 OVER 30 UNDER</del> ± --- <del>30 OVER</del> ± --- ANGULAR ± --- ° DRAFT WHERE APPLICABLE MUST REMAIN WITHIN DIMENSIONS	DIMENSION STYLE MM ONLY DRAWN BY RTAKEUCHI DATE 2005/10/27 CHECKED BY THIRATA DATE 2005/10/27 APPROVED BY MSASAO DATE 2005/10/27 MATERIAL NO. SEE CHART	SCALE --- DESIGN UNITS METRIC THIRD ANGLE PROJECTION TITLE 0.4 B-TO-B CONN. HGT=1.3 PLUG ASSY EMBSTP PKG -LEAD FREE- MOLEX INCORPORATED	DOCUMENT NO. SD-501531-002 SHEET NO. 3 OF 5
	2007/08/02	2007/08/02	2007/08/02				
	2007/08/02	2007/08/02	2007/08/02				
	2007/08/02	2007/08/02	2007/08/02				



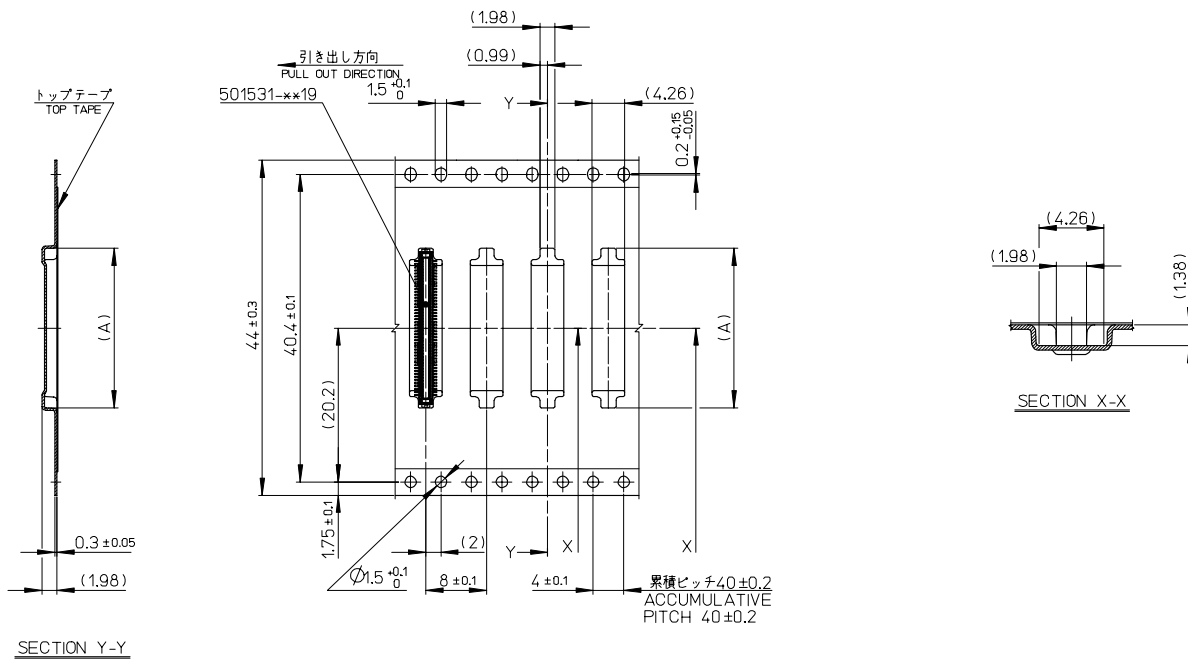
SECTION Y-Y

SECTION X-X

32mm 幅キャリアテープ  
32mm WIDTH CARRIER TAPE

32	33.5	18.96	501531-0810	80
キャリアテープ幅 CARRIER TAPE WIDTH	B	(A)	MATERIAL No.	CKT.
			MODEL No.	501531-xx10

REVISED EC NO. J2007-3237 DRW:KSAI1001 CHK:KTOYODA APPR:NIKIITA 2007/08/02 2007/08/02 2007/08/02	GENERAL TOLERANCES (UNLESS SPECIFIED)		DIMENSION STYLE MM ONLY	SCALE ---	DESIGN UNITS METRIC	THIRD ANGLE PROJECTION
	10 UNDER	±---	DRAWN BY RTAKEUCHI	DATE 2005/10/27	TITLE 0.4 B-TO-B CONN. HGT=1.3 PLUG ASSY EMBSTP PKG -LEAD FREE-	
	10 OVER	±---	CHECKED BY THIRATA	DATE 2005/10/27	MOLEX INCORPORATED	
	30 OVER	±---	APPROVED BY MSASAO	DATE 2005/10/27	DOCUMENT NO. SD-501531-002	SHEET NO. 4 OF 5
	ANGULAR	±---°	MATERIAL NO. SEE CHART	THIS DRAWING CONTAINS INFORMATION THAT IS PROPRIETARY TO MOLEX INCORPORATED AND SHOULD NOT BE USED WITHOUT WRITTEN PERMISSION		
DRAFT WHERE APPLICABLE MUST REMAIN WITHIN DIMENSIONS			SIZE A3			



44mm 幅キャリアテープ  
44mm WIDTH CARRIER TAPE

44	45.5	20.96	501531-0910	90
キャリアテープ幅 CARRIER TAPE WIDTH		B	(A)	MATERIAL No. 501531-0910 MODEL No. 501531-0910

REVISED EC NO. J2007-3237 DRW:KSAI1001 CHK:KTOYODA APPR:NIKIITA 2007/08/01 2007/08/02 2007/08/02	GENERAL TOLERANCES (UNLESS SPECIFIED)	DIMENSION STYLE MM ONLY	SCALE ---	DESIGN UNITS METRIC	THIRD ANGLE PROJECTION
	10 UNDER ±---	DRAWN BY RTAKEUCHI	DATE 2005/10/27	TITLE 0.4 B-TO-B CONN. HGT=1.3 PLUG ASSY EMBSTP PKG -LEAD FREE-	
	10 OVER 30 UNDER ±---	CHECKED BY THIRATA	DATE 2005/10/27	MOLEX INCORPORATED	
	30 OVER ±---	APPROVED BY MSASAO	DATE 2005/10/27	DOCUMENT NO. SD-501531-002	
ANGULAR ±---°	DRAFT WHERE APPLICABLE MUST REMAIN WITHIN DIMENSIONS	MATERIAL NO. SEE CHART	SIZE A3	SHEET NO. 5 OF 5	