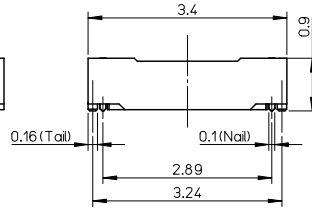
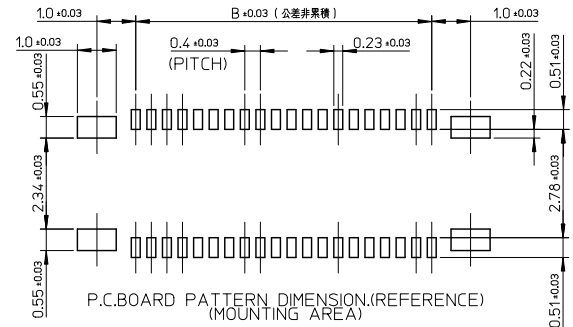
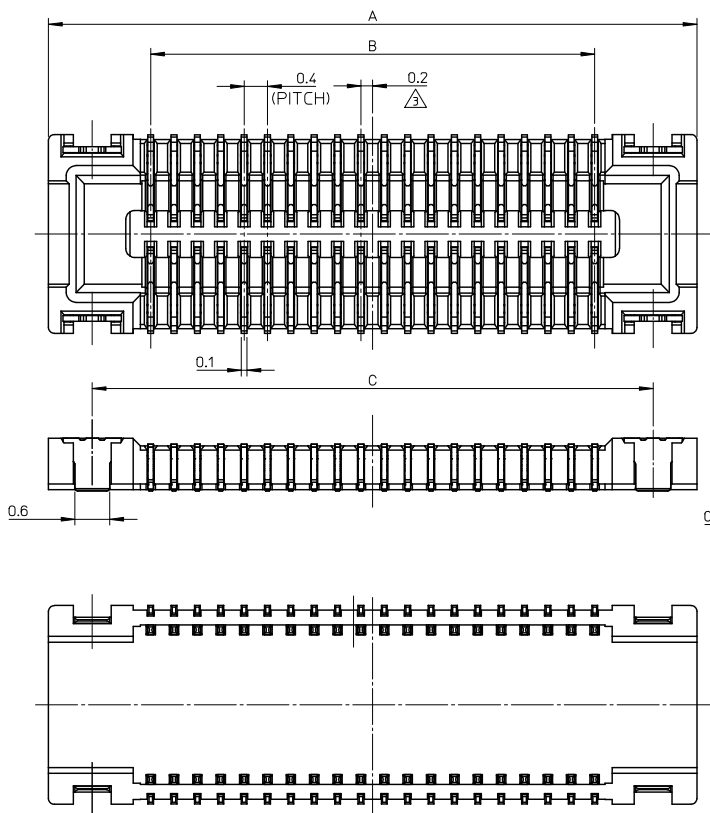


10 9 8 7 6 5 4 3 2 1



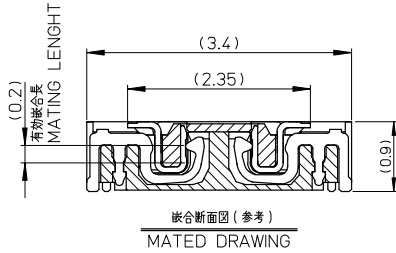
15.6	13.6	17.1	501591-7011	501591-7010	70
12.4	10.4	13.9	501591-5411	501591-5410	54
11.6	9.6	13.1	501591-5011	501591-5010	50
10.4	8.4	11.9	501591-4411	501591-4410	44
9.6	7.6	11.1	501591-4011	501591-4010	40
8.4	6.4	9.9	501591-3411	501591-3410	34
7.6	5.6	9.1	501591-3011	501591-3010	30
6.8	4.8	8.3	501591-2611	501591-2610	26
6.4	4.4	7.9	501591-2411	501591-2410	24
6.0	4.0	7.5	501591-2211	501591-2210	22
5.6	3.6	7.1	501591-2011	501591-2010	20
4.0	2.0	5.5	501591-1211	501591-1210	12
3.6	1.6	5.1	501591-1011	501591-1010	10
C	B	A	EMBOSSSED TAPE PACKAGE ORDER No.	MATERIAL NO.	CIRCUIT

REVISED E.C. NO: J2008-3370 T.DRINKSETO 2008/06/17 CHYKMSASAO 2008/06/17 APPR:MSASAO 2008/06/25	GENERAL TOLERANCES (UNLESS SPECIFIED)		DIMENSION STYLE MM ONLY		SCALE ---	DESIGN UNITS METRIC	THIRD ANGLE PROJECTION
	10 UNDER	±0.2	DRAWN BY TASAKAWA	DATE 2006/07/10	TITLE 0.4MM PITCH B/B CONN. H=0.9 W=3.4 REC ASSY		
	10 OVER 30 UNDER	±0.25	CHECKED BY MSASAO	DATE 2006/07/10	MOLEX INCORPORATED		
	30 OVER	±0.3	APPROVED BY MSASAO	DATE 2006/07/10	MATERIAL NO. SEE TABLE	DOCUMENT NO. SD-501591-005	SHEET NO. 1 OF 2
ANGULAR ±3°		DRAFT WHERE APPLICABLE MUST REMAIN WITHIN DIMENSIONS		THIS DRAWING CONTAINS INFORMATION THAT IS PROPRIETARY TO MOLEX INCORPORATED AND SHOULD NOT BE USED WITHOUT WRITTEN PERMISSION			

tb_frame_A3_J_ME_S
Rev. E 2006/04/15

EN-02JA(021)

10 9 8 7 6 5 4 3 2 1



注記 NOTES

1.使用材料 MATERIAL

ハウジング:液晶ポリマー (LCP) ガラス充填 UL-94V-0 (黒)
 HOUSING : LIQUID CRYSTAL POLYMER (GLASS FILLED) UL94V-0 (COLOR:BLACK)
 ターミナル:りん青銅 (t=0.1)
 TERMINAL : PHOSHOR BRONZE (t=0.1)
 金具:りん青銅 (t=0.1)
 FITTING NAIL : PHOSHOR BRONZE (t=0.1)

2.メッキ仕様 PLATING

ターミナル TERMINAL
 金メッキ 0.1マイクロメートル以上 (コンタクト部)
 GOLD 0.1 MICROMETER MINIMUM (CONTACT AREA)
 金メッキ 0.05マイクロメートル以上 (テール部)
 GOLD 0.05 MICROMETER MINIMUM (TAIL AREA)
 下地メッキ:ニッケルメッキ 1.0 マイクロメートル以上
 UNDER PLATING : NICKEL 1.0 MICROMETER MINIMUM
 金具 FITTING NAIL
 錫メッキ :1.0マイクロメートル以上
 TIN PLATING :1.0 MICROMETER MINIMUM
 下地メッキ :ニッケル 1.0マイクロメートル以上
 UNDER PLATING :NICKEL 1.0 MICROMETER MINIMUM

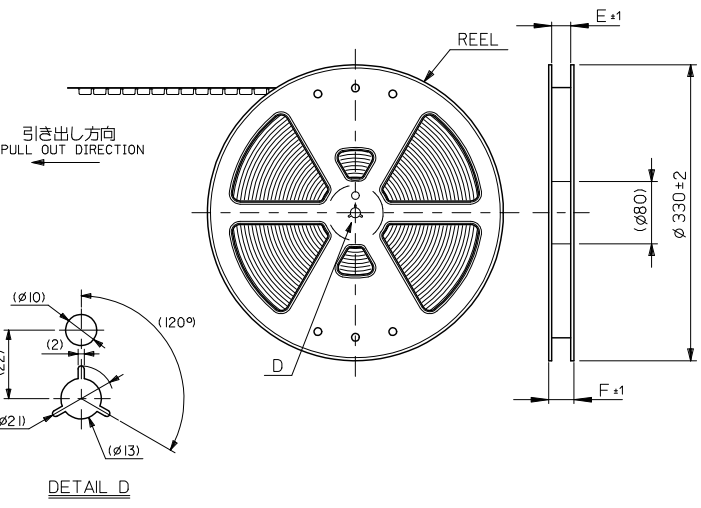
△ (全極数/2)=偶数の場合に適用
 APPLY FOR (CIRCUIT/2)=EVEN

4.嵌合相手 : 501594-**10 シリーズ
 WITH MATE : 501594-**10 SERIES

5.テール及び金具の平坦度は、0.1以下
 TAIL AND FITTING NAIL COPLANARITY TO BE 0.1 MAXIMUM
 6.ELV AND RoHS COMPLIANT.

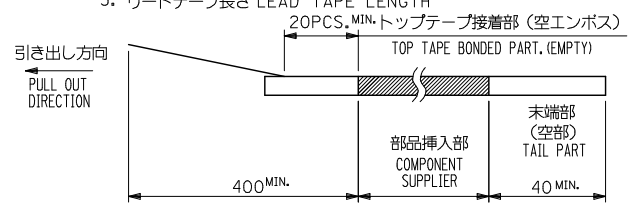
REVISED EC NO: J2008-3370 T:DRW:KSETO 2008/06/17 CHKD:MSASAO 2008/06/17 APPR:MSASAO 2008/06/25	GENERAL TOLERANCES (UNLESS SPECIFIED)		DIMENSION STYLE MM ONLY	SCALE ---	DESIGN UNITS METRIC	THIRD ANGLE PROJECTION
	10 UNDER	±0.2	DRAWN BY TASAKAWA	DATE 2006/07/10	TITLE 0.4MM PITCH B/B CONN. H=0.9 W=3.4 REC ASSY	
	10 OVER 30 UNDER	±0.25	CHECKED BY MSASAO	DATE 2006/07/10	APPROVED BY MSASAO	
	30 OVER	±0.3	DATE 2006/07/10	MOLEX INCORPORATED		
DESCRIPTION	ANGULAR ±3 °	DRAFT WHERE APPLICABLE MUST REMAIN WITHIN DIMENSIONS	MATERIAL NO. SEE SHEET 1	DOCUMENT NO. SD-501591-005	SHEET NO. 2 OF 2	
REV	SIZE A3			THIS DRAWING CONTAINS INFORMATION THAT IS PROPRIETARY TO MOLEX INCORPORATED AND SHOULD NOT BE USED WITHOUT WRITTEN PERMISSION		

10 9 8 7 6 5 4 3 2 1

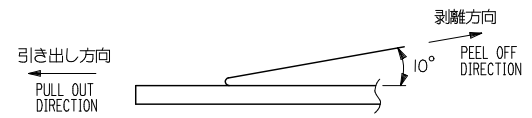


NOTES

- 製品詳細寸法については製品単体図面を参照下さい。
RE DETAILED DIMENSION, SEE PRODUCT DRAWING.
- 梱包数量 : 3000 個/リール
NUMBER OF CONNECTORS : 3000 PCS/REEL
- リードテープ長さ LEAD TAPE LENGTH



- トップテープの剥離強度 : JES-59 参照
剥離方向は下図参照。
PEELING OFF STRENGTH OF TOP TAPE : REFER TO JES-59
PEELING DIRECTION AS SHOWN IN FOLLOWING FIGURE.

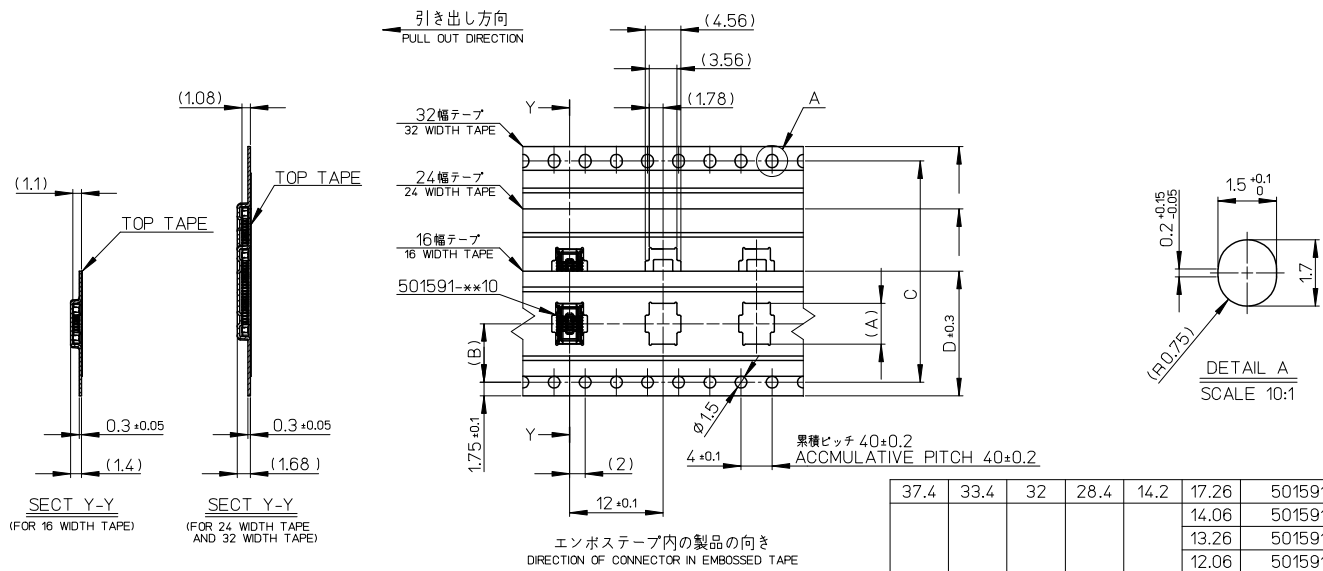


- 材料 MATERIAL
キャリアテープ (CARRIER TAPE) : ポリスチレン (POLYSTYLENE)
トップテープ (TOPTAPE) : PET , PE , PEF
リール (REEL) : ポリスチレン (PS) <リサイクル材を含む>
POLYSTYLENE (PS) <RECYCLE MATERIAL CONTAINED>

6.ELV AND RoHS COMPLIANT.

REVISED EC NO: J2008-3370 DRAWN BY: CHYK/MSASAO CHECKED BY: APPR:MSASAO DATE: 2008/06/17 2008/06/25	GENERAL TOLERANCES (UNLESS SPECIFIED)		DIMENSION STYLE MM ONLY		SCALE ---	DESIGN UNITS METRIC	MODEL NO. 501591-**-11
	10 UNDER	±0.2	DRAWN BY TASAKAWA	DATE 2006/07/10	TITLE 0.4 B-TO-B CONN. REC ASSY (HGT=0.9) EMBSTP PKG		
	10 OVER 30 UNDER	±0.25	CHECKED BY MSASAO	DATE 2006/07/10	MOLEX INCORPORATED		
	30 OVER	±0.3	APPROVED BY MSASAO	DATE 2006/07/10	MATERIAL NO. SEE SHEET 1	DOCUMENT NO. SD-501591-006	SHEET NO. 1 OF 2
ANGULAR ±3 °			THIS DRAWING CONTAINS INFORMATION THAT IS PROPRIETARY TO MOLEX INCORPORATED AND SHOULD NOT BE USED WITHOUT WRITTEN PERMISSION				
DRAFT WHERE APPLICABLE MUST REMAIN WITHIN DIMENSIONS							

10 9 8 7 6 5 4 3 2 1



37.4	33.4	32	28.4	14.2	17.26	501591-7011	70
29.4	25.4	24	—	11.5	14.06	501591-5411	54
					13.26	501591-5011	50
					12.06	501591-4411	44
					11.26	501591-4011	40
					10.06	501591-3411	34
					9.26	501591-3011	30
					8.46	501591-2611	26
21.4	17.4	16	—	7.5	8.06	501591-2411	24
					7.66	501591-2211	22
					7.26	501591-2011	20
F	E	D	C	(B)	5.66	501591-1211	12
					5.26	501591-1011	10
						MATERIAL No.	極数 CKT

REVISED ELC NO: J2008-3370 DRAWN BY: DRINKSETO CHECKED BY: CHYKMSASAO APPROVED BY: MSASAO DATE: 2008/06/17 DATE: 2008/06/17 DATE: 2008/06/25	GENERAL TOLERANCES (UNLESS SPECIFIED)		DIMENSION STYLE MM ONLY		SCALE ---	DESIGN UNITS METRIC	THIRD ANGLE PROJECTION
	10 UNDER	±0.2	DRAWN BY	DATE	TITLE		
	10 OVER 30 UNDER	±0.25	TASAKAWA	2006/07/10	0.4 B-TO-B CONN. REC ASSY (HGT=0.9) EMBSTP PKG		
	30 OVER	±0.3	CHECKED BY	DATE	MOLEX INCORPORATED		
	ANGULAR	±3 °	MSASAO	2006/07/10	SD-501591-006		
DRAFT WHERE APPLICABLE MUST REMAIN WITHIN DIMENSIONS		APPROVED BY		DATE	MATERIAL NO.	DOCUMENT NO.	SHEET NO.
		MSASAO		2006/07/10	SEE TABLE	SD-501591-006	2 OF 2
		SIZE		THIS DRAWING CONTAINS INFORMATION THAT IS PROPRIETARY TO MOLEX INCORPORATED AND SHOULD NOT BE USED WITHOUT WRITTEN PERMISSION			
		A3					