

15.3	13.6	16.05	501594-7011	501594-7010	70
12.1	10.4	12.85	501594-5411	501594-5410	54
11.3	9.6	12.05	501594-5011	501594-5010	50
10.1	8.4	10.85	501594-4411	501594-4410	44
9.3	7.6	10.05	501594-4011	501594-4010	40
8.1	6.4	8.85	501594-3411	501594-3410	34
7.3	5.6	8.05	501594-3011	501594-3010	30
6.5	4.8	7.25	501594-2611	501594-2610	26
6.1	4.4	6.85	501594-2411	501594-2410	24
5.7	4.0	6.45	501594-2211	501594-2210	22
5.3	3.6	6.05	501594-2011	501594-2010	20
3.7	2.0	4.45	501594-1211	501594-1210	12
3.3	1.6	4.05	501594-1011	501594-1010	10
C	B	A	EMBOSSED TAPE PACKAGE		MATERIAL NO. CIRCUIT
			ORDER No.		

REVISED E.C. NO: J2008-3370 2008/06/17 DRINKSETO 2008/06/17 CHYKMSASAO 2008/06/25 APPR:MSASAO 2008/06/25 M. SASAO	GENERAL TOLERANCES (UNLESS SPECIFIED)		DIMENSION STYLE MM ONLY		SCALE ---	DESIGN UNITS METRIC	THIRD ANGLE PROJECTION
	10 UNDER	±0.2	DRAWN BY T. ASAKAWA	DATE 2006/07/10	TITLE 0.4MM PITCH B/B CONN. H=0.9 W=3.4 PLUG ASSY		
	10 OVER 30 UNDER	±0.25	CHECKED BY M. SASAO	DATE 2006/07/10	APPROVED BY M. SASAO		
	30 OVER	±0.3	DATE 2006/07/10		MOLEX INCORPORATED		
ANGULAR ±3°		DRAFT WHERE APPLICABLE MUST REMAIN WITHIN DIMENSIONS		MATERIAL NO. SEE TABLE	DOCUMENT NO. SD-501594-005	SHEET NO. 1 OF 2	
THIS DRAWING CONTAINS INFORMATION THAT IS PROPRIETARY TO MOLEX INCORPORATED AND SHOULD NOT BE USED WITHOUT WRITTEN PERMISSION							

fb_frame_A3_J_ME_S
Rev. E 2006/04/15

EN-02JA(021)

10 9 8 7 6 5 4 3 2 1

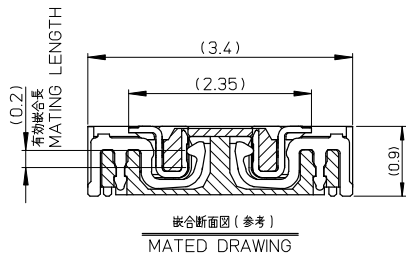
注記 NOTES

1. 使用材料 MATERIAL

ハウジング：液晶ポリマー（LCP） ガラス充填 UL-94V-0（黒）
 HOUSING : LIQUID CRYSTAL POLYMER (GLASS FILLED) UL94V-0 (COLOR:BLACK)
 ターミナル：りん青銅 (t=0.08)
 TERMINAL : PHOSHOR BRONZE (t=0.08)
 金具：りん青銅 (t=0.1)
 FITTING NAIL : PHOSHOR BRONZE (t=0.1)

2. メッキ仕様 PLATING

ターミナル TERMINAL
 金メッキ 0.1マイクロメートル以上〔コンタクト部〕
 GOLD 0.1 MICROMETER MINIMUM (CONTACT AREA)
 金メッキ 0.03マイクロメートル以上〔テール部〕
 GOLD 0.03 MICROMETER MINIMUM (TAIL AREA)
 下地メッキ：ニッケルメッキ 1.0 マイクロメートル以上
 UNDER PLATING : NICKEL 1.0 MICROMETER MINIMUM
 金具 FITTING NAIL
 錫メッキ :1.0マイクロメートル以上
 TIN PLATING :1.0 MICROMETER MINIMUM
 下地メッキ :ニッケル1.0マイクロメートル以上
 UNDER PLATING :NICKEL 1.0 MICROMETER MINIMUM



3. (全極数/2)=偶数の場合に適用
 APPLY FOR (CIRCUIT/2)=EVEN

4. 嵌合相手 : 501591-**10 シリーズ
 WITH MATE : 501591-**10 SERIES

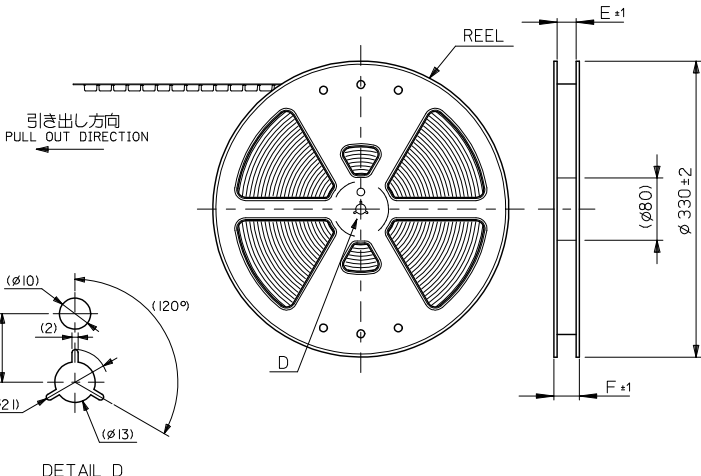
5. テール及び金具の平坦度は、0.1以下
 TAIL AND FITTING NAIL COPLANARITY TO BE 0.1 MAXIMUM

6. 斜線部は、パターン書き込み禁止範囲と半田禁止範囲を示す。
 ただし、斜線部に同一配線を配置する場合はレジストを施し、この部分に半田は無きこと。
 NO PATTERN CIRCUIT AND NO SOLDER ALLOWED IN THE SHADED AREA.
 HOWEVER, IF NEEDED TO ADD A TRACE OF THE SAME CIRCUIT, PUT THE SOLDER-RESIST,
 YET NO SOLDER ALLOWED IN THE AREA.

7. ELV AND RoHS COMPLIANT.

REVISED EC NO: J2008-3370 DRAWN BY: DRINKSETO CHKD BY: CHYKMSASAO APPR: MSASAO 2008/06/17 2008/06/17 2008/06/25	GENERAL TOLERANCES (UNLESS SPECIFIED)		DIMENSION STYLE MM ONLY		SCALE ---	DESIGN UNITS METRIC	THIRD ANGLE PROJECTION	
	10 UNDER	±0.2	DRAWN BY T. ASAKAWA		DATE 2006/07/10		TITLE 0.4MM PITCH B/B CONN. H=0.9 W=3.4 PLUG ASSY	
	10 OVER 30 UNDER	±0.25	CHECKED BY M. SASAO		DATE 2006/07/10		APPROVED BY M. SASAO	
	30 OVER	±0.3	APPROVED BY M. SASAO		DATE 2006/07/10		MOLEX INCORPORATED	
	ANGULAR ±3 °		MATERIAL NO. SEE SHEET 1		DOCUMENT NO. SD-501594-005		SHEET NO. 2 OF 2	
DRAFT WHERE APPLICABLE MUST REMAIN WITHIN DIMENSIONS		SIZE A3 THIS DRAWING CONTAINS INFORMATION THAT IS PROPRIETARY TO MOLEX INCORPORATED AND SHOULD NOT BE USED WITHOUT WRITTEN PERMISSION						

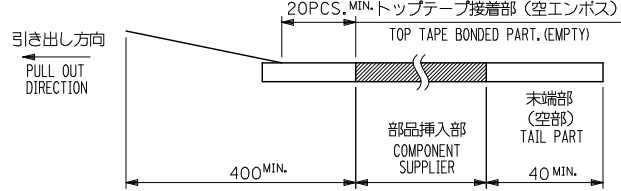
10 9 8 7 6 5 4 3 2 1



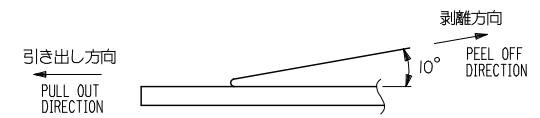
DETAIL D

NOTES

- 製品詳細寸法については製品単体図面を参照下さい。
RE DETAILED DIMENSION, SEE PRODUCT DRAWING.
- 梱包数量：3000 個/リール
NUMBER OF CONNECTORS : 3000 PCS/REEL
- リードテープ長さ LEAD TAPE LENGTH
20PCS. MIN. トップテープ接着部 (空エンボス)



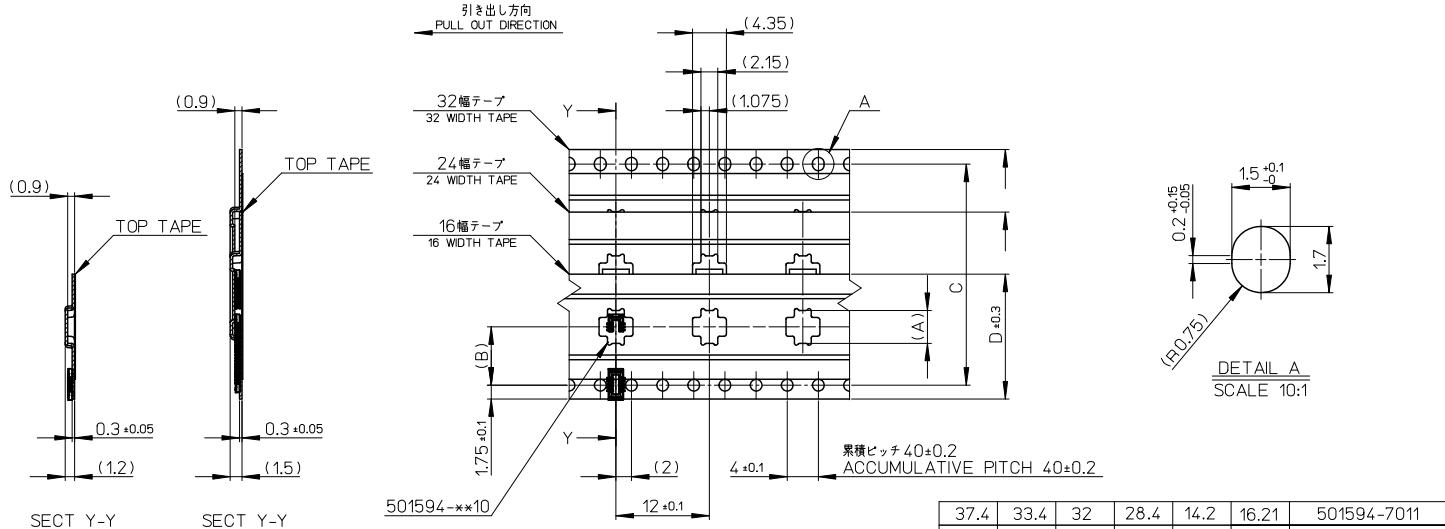
- トップテープの剥離強度：JES-59 参照
剥離方向は下図参照。
PEELING OFF STRENGTH OF TOP TAPE : REFER TO JES-59
PEELING DIRECTION AS SHOWN IN FOLLOWING FIGURE.



- 材料 MATERIAL
キャリアテープ (CARRIER TAPE) : ポリスチレン (POLYSTYRENE)
トップテープ (TOPTAPE) : PET , PE , PEF
リール (REEL) : ポリスチレン (PS) <リサイクル材を含む>
POLYSTYRENE (PS) <RECYCLE MATERIAL CONTAINED>
- 6.ELV AND RoHS COMPLIANT.

REVISED EC NO: J2008-3370 DRAWN BY: DRWNSETO 2008/06/17 CHKD:MSASAO 2008/06/17 APPR:MSASAO 2008/06/25	GENERAL TOLERANCES (UNLESS SPECIFIED)		DIMENSION STYLE MM ONLY		SCALE ---	DESIGN UNITS METRIC	MODEL NO. 501594-***11
	10 UNDER	±0.2	DRAWN BY TASAKAWA	DATE 2006/07/10	TITLE 0.4MM PITCH B/B CONN. PLUG ASSY (HGT=0.9) EMBSTP PKG		
	10 OVER 30 UNDER	±0.25	CHECKED BY MSASAO	DATE 2006/07/10	MOLEX INCORPORATED		
	30 OVER	±0.3	APPROVED BY MSASAO	DATE 2006/07/10	DOCUMENT NO. SD-501594-006		
DESCRIPTION D	ANGULAR ±3 °	DRAFT WHERE APPLICABLE MUST REMAIN WITHIN DIMENSIONS		MATERIAL NO. SEE SHEET 1	SHEET NO. 1 OF 2		
REV	SIZE A3			THIS DRAWING CONTAINS INFORMATION THAT IS PROPRIETARY TO MOLEX INCORPORATED AND SHOULD NOT BE USED WITHOUT WRITTEN PERMISSION			

10 9 8 7 6 5 4 3 2 1



SECT Y-Y (FOR 16 WIDTH TAPE)
SECT Y-Y (FOR 24 WIDTH TAPE AND 32 WIDTH TAPE)

DETAIL A
SCALE 10:1

37.4	33.4	32	28.4	14.2	16.21	501594-7011	70
29.4	25.4	24	—	11.5	13.01	501594-5411	54
					12.21	501594-5011	50
					11.01	501594-4411	44
					10.21	501594-4011	40
					9.01	501594-3411	34
					8.21	501594-3011	30
21.4	17.4	16	—	7.5	7.41	501594-2611	26
					7.01	501594-2411	24
					6.61	501594-2211	22
					6.21	501594-2011	20
					4.61	501594-1211	12
					4.21	501594-1011	10
F	E	D	C	(B)	(A)	MATERIAL NO.	極致 CKT.

REVISED EC NO: J2008-3370 DRW: KSETO CHKD: MSASAO APPR: MSASAO 2008/06/17 2008/06/17 2008/06/25	GENERAL TOLERANCES (UNLESS SPECIFIED)		DIMENSION STYLE MM ONLY	SCALE ---	DESIGN UNITS METRIC	THIRD ANGLE PROJECTION	MODEL NO. 501594-***11
	10 UNDER	±0.2	DRAWN BY TASAKAWA	DATE 2006/07/10	TITLE 0.4MM PITCH B/B CONN. PLUG ASSY (HGT=0.9) EMBSTP PKG		
	10 OVER 30 UNDER	±0.25	CHECKED BY MSASAO	DATE 2006/07/10	MOLEX INCORPORATED		
	30 OVER	±0.3	APPROVED BY MSASAO	DATE 2006/07/10	MATERIAL NO. SEE TABLE	DOCUMENT NO. SD-501594-006	SHEET NO. 2 OF 2
ANGULAR ±3°		DRAFT WHERE APPLICABLE MUST REMAIN WITHIN DIMENSIONS		THIS DRAWING CONTAINS INFORMATION THAT IS PROPRIETARY TO MOLEX INCORPORATED AND SHOULD NOT BE USED WITHOUT WRITTEN PERMISSION			