

17.5	15.6	19.1	502426-8010	80
14.3	12.4	15.9	502426-6410	64
13.5	11.6	15.1	502426-6010	60
11.5	9.6	13.1	502426-5010	50
10.3	8.4	11.9	502426-4410	44
9.5	7.6	11.1	502426-4010	40
8.3	6.4	9.9	502426-3410	34
7.9	6.0	9.5	502426-3210	32
7.5	5.6	9.1	502426-3010	30
6.7	4.8	8.3	502426-2610	26
6.3	4.4	7.9	502426-2410	24
5.9	4.0	7.5	502426-2210	22
5.5	3.6	7.1	502426-2010	20
4.3	2.4	5.9	502426-1410	14
3.1	1.2	4.7	502426-0810	8
C	B	A	EMBOSSED PACKAGE オーダー番号 ORDER No.	極数 CIRCUITS

CONNECTOR SERIES No. 502426-***19

REVISED EC NO: J2011-0016 DRWN: TANIGUCHI 2010/07/05 CHKD: MSASAO 2010/07/05 APPR: MSASAO 2010/07/07	GENERAL TOLERANCES (UNLESS SPECIFIED)		DIMENSION STYLE MM ONLY		SCALE 10:1	DESIGN UNITS METRIC	THIRD ANGLE PROJECTION
	10 UNDER	±---	DRAWN BY RTAKEUCHI	DATE 2007/10/03	TITLE 0.4 B-TO-B CONN. HGT=1.0 W=2.6 REC ASSY		
	10 OVER	±---	CHECKED BY MSASAO	DATE 2007/10/03	MOLEX INCORPORATED		
	30 OVER	±---	APPROVED BY MSASAO	DATE 2007/10/03	DOCUMENT NO. SD-502426-001	SHEET NO. 1 OF 2	
ANGULAR ±---°		DRAFT WHERE APPLICABLE MUST REMAIN WITHIN DIMENSIONS		THIS DRAWING CONTAINS INFORMATION THAT IS PROPRIETARY TO MOLEX INCORPORATED AND SHOULD NOT BE USED WITHOUT WRITTEN PERMISSION			

注記 NOTES

1. 使用材料 MATERIAL

ハウジング：液晶ポリマー (LCP) ガラス充填 UL94V-0 (黒)
 HOUSING: LIQUID CRYSTAL POLYMER (GLASS FILLED) UL94V-0 (COLOR: BLACK)
 ターミナル：りん青銅 (t=0.1)
 TERMINAL : PHOSPHOR BRONZE (t=0.1)
 金具：りん青銅 (t=0.12)
 FITTING NAIL : PHOSPHOR BRONZE (t=0.12)

2. メッキ仕様 PLATING

ターミナル TERMINAL
 金メッキ 0.1 マイクロメートル以上
 GOLD 0.1 MICROMETER MINIMUM
 下地メッキ：ニッケルメッキ 1.0 マイクロメートル以上
 UNDER PLATING : NICKEL 1.0 MICROMETER MINIMUM
 ※コンタクト部とテール部はニッケルメッキによって分断されている金メッキです。
 DIVIDE INTO PARTS THE GOLD PLATING OF THE CONTACT AND THE TAIL PART BY THE NICKEL PLATING.
 ※封孔処理品

金具 FITTING NAIL

フラッシュ金メッキ
 FLASH Au PLATING
 下地メッキ：ニッケルメッキ 1.0 マイクロメートル以上
 UNDER PLATING : NICKEL 1.0 MICROMETER MINIMUM

△ (全極数 / 2) = 偶数の場合に適用。
 APPLY FOR (CIRCUIT / 2) = EVEN.

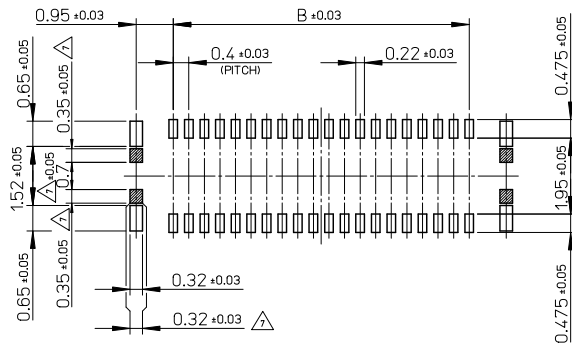
4. 嵌合相手： 502430 シリーズ
 MATE WITH : 502430 SERIES.

5. テール平坦度は、0.08 以下
 テール及び金具の平坦度は、0.1 以下
 TAIL COPLANARITY TO BE 0.08 MAXIMUM.
 TAIL AND FITTING NAIL COPLANARITY TO BE 0.1 MAXIMUM.

6. ELV 及び RoHS 適合品
 ELV AND RoHS COMPLIANT.

△ 斜線部はパターン書込み禁止範囲と半田禁止範囲を示す。

ただし、斜線部に補強金具と同一配線を配置する場合はレジストを施し、この部分に半田は無きこと。
 NO PATTERN CIRCUIT AND NO SOLDER ALLOWED IN THE SHADED AREA.
 HOWEVER, IF NEEDED TO ADD A TRACE OF THE SAME CIRCUIT, PUT THE SOLDER-RESIST,
 YET NO SOLDER ALLOWED IN THE AREA.

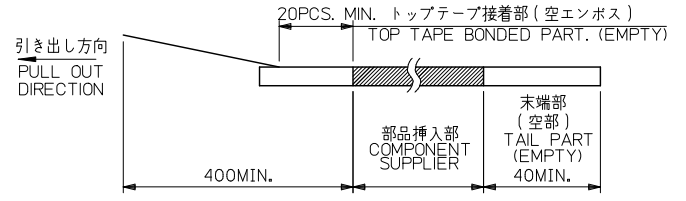
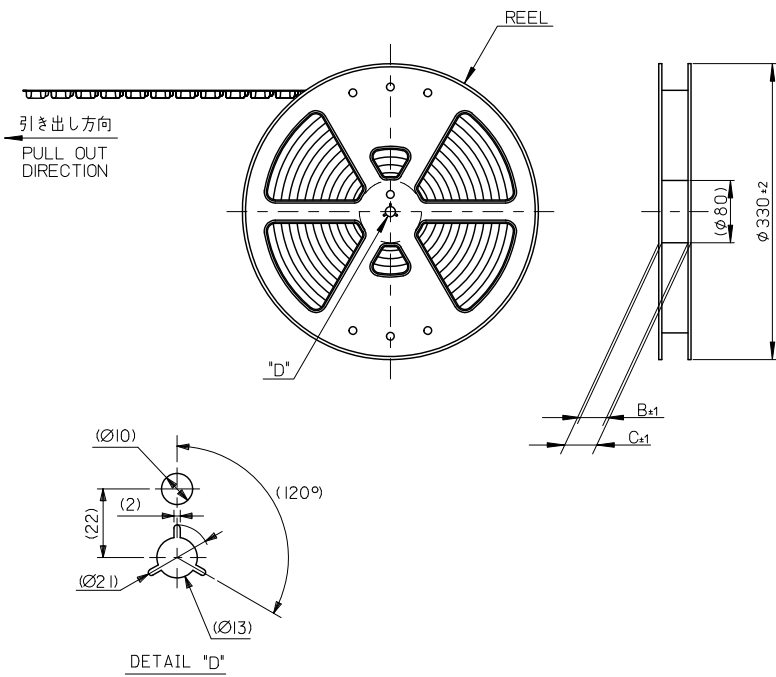


P.C. BOARD PATTERN LAYOUT
 (REFERENCE)

REVISED EC NO: J2011-0016 DRWN: TANI GUCHI 01/2010/07/05 CHKD: MSASAO 2010/07/05 APPR: MSASAO 2010/07/07	GENERAL TOLERANCES (UNLESS SPECIFIED)		DIMENSION STYLE MM ONLY		SCALE 10:1	DESIGN UNITS METRIC	THIRD ANGLE PROJECTION
	10 UNDER	±---	DRAWN BY RTAKEUCHI	DATE 2007/10/03	TITLE 0.4 B-T0-B CONN. HGT=1.0 W=2.6 REC ASSY		
	10 OVER	±---	CHECKED BY MSASAO	DATE 2007/10/03	MOLEX INCORPORATED		
	30 OVER	±---	APPROVED BY MSASAO	DATE 2007/10/03	DOCUMENT NO. SD-502426-001	SHEET NO. 2 OF 2	
DESCRIPTION	ANGULAR ±---	DRAFT WHERE APPLICABLE MUST REMAIN WITHIN DIMENSIONS		MATERIAL NO. SEE SHEET 1 THIS DRAWING CONTAINS INFORMATION THAT IS PROPRIETARY TO MOLEX INCORPORATED AND SHOULD NOT BE USED WITHOUT WRITTEN PERMISSION			

注記 NOTES

1. 製品詳細寸法については製品単体図面を参照下さい。
RE DETAILED DIMENSION, SEE PRODUCT DRAWING.
2. 梱包数量: 3000 個/リール
NUMBER OF CONNECTORS: 3000PCS/REEL
3. リードテープ長さ LEAD TAPE LENGTH

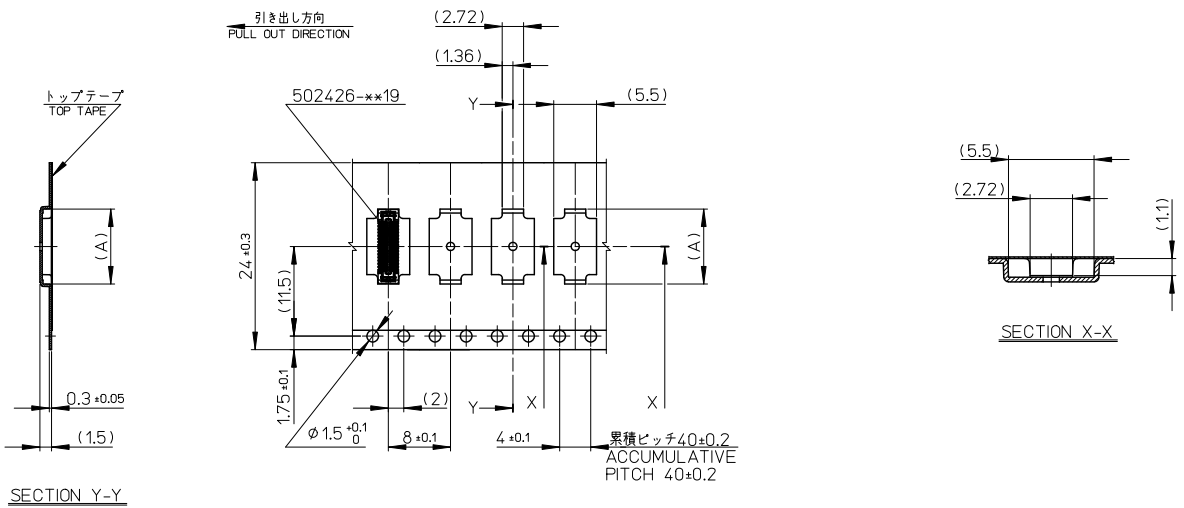


4. 材料 MATERIAL
 キャリアテープ (CARRIER TAPE): ポリスチレン (POLYSTYRENE)
 トップテープ (TOP TAPE): PET, OTHER
 リール (REEL): ポリスチレン (PS) <リサイクル材を含む>
 POLYSTYRENE (PS) <RECYCLE MATERIAL CONTAINED>
5. ELV 及び RoHS適合品
 ELV AND RoHS COMPLIANT

MODEL NO. 502426-**10

REVISED EC NO: J2011-0016 DRW: TANI GUCHI 01 2010/07/05 CHK: MSASAO 2010/07/05 APP: MSASAO 2010/07/07	GENERAL TOLERANCES (UNLESS SPECIFIED)		DIMENSION STYLE MM ONLY	SCALE ---	DESIGN UNITS METRIC	THIRD ANGLE PROJECTION
	10 UNDER	±---	DRAWN BY RTAKEUCHI	DATE 2007/10/03	TITLE 0.4 B-TO-B CONN. HGT=1.0 REC ASSY EMBSTP PKG	
	10 OVER 30 UNDER	±---	CHECKED BY MSASAO	DATE 2007/10/03	MOLEX INCORPORATED	
	30 OVER	±---	APPROVED BY MSASAO	DATE 2007/10/03	MATERIAL NO. SEE TABLE	DOCUMENT NO. SD-502426-002
ANGULAR ±---° DRAFT WHERE APPLICABLE MUST REMAIN WITHIN DIMENSIONS			THIS DRAWING CONTAINS INFORMATION THAT IS PROPRIETARY TO MOLEX INCORPORATED AND SHOULD NOT BE USED WITHOUT WRITTEN PERMISSION			

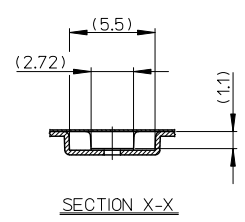
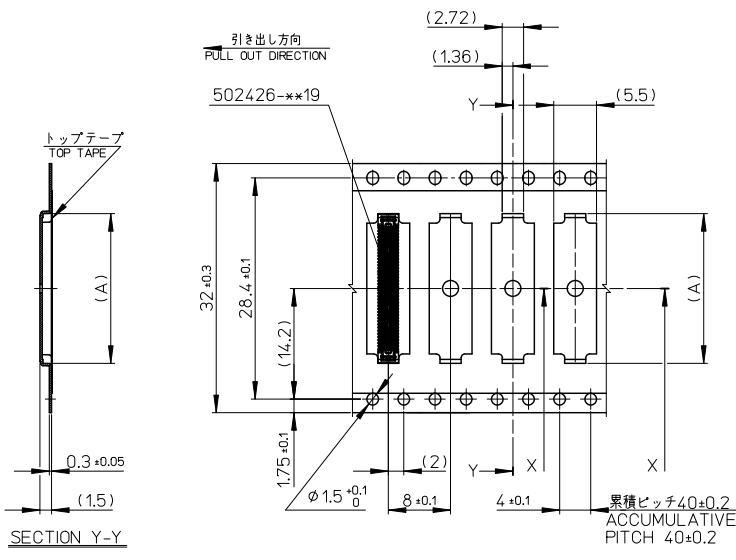
10 9 8 7 6 5 4 3 2 1



24mm 幅キャリアテープ
24mm WIDTH CARRIER TAPE

24	29.4	25.4	16.02	502426-6410	64
			15.22	502426-6010	60
			13.22	502426-5010	50
			12.02	502426-4410	44
			11.22	502426-4010	40
			10.02	502426-3410	34
			9.62	502426-3210	32
9.22	502426-3010	30			
キャリアテープ幅 CARRIER TAPE WIDTH			C	B	(A)
			MATERIAL No.		CKT.
			MODEL No.		502426-**10

REVISED EC NO: J2011-0016 DRW: TANI GUCHI 01 2010/07/05 CHK: MSASAO 2010/07/05 APPR: MSASAO 2010/07/07	GENERAL TOLERANCES (UNLESS SPECIFIED)		DIMENSION STYLE MM ONLY		SCALE ---	DESIGN UNITS METRIC	THIRD ANGLE PROJECTION
	10 UNDER	±---	DRAWN BY RTAKEUCHI	DATE 2007/10/03	TITLE 0.4 B-TO-B CONN. HGT=1.0 REC ASSY EMBSTP PKG		
	10 OVER 30 UNDER	±---	CHECKED BY MSASAO	DATE 2007/10/03	MOLEX INCORPORATED		
	30 OVER	±---	APPROVED BY MSASAO	DATE 2007/10/03	DOCUMENT NO. SD-502426-002		
ANGULAR ±---		DRAFT WHERE APPLICABLE MUST REMAIN WITHIN DIMENSIONS		MATERIAL NO. SEE TABLE	SHEET NO. 3 OF 4		



32mm 幅キャリアテープ
32mm WIDTH CARRIER TAPE

32	37.4	33.4	19.22	502426-8010	80
キャリアテープ幅 CARRIER TAPE WIDTH			C	B	(A)
				MATERIAL No.	502426-8010
				MODEL No.	502426-8010

REVISED EC NO: J2011-0016 DRW: TANIUCHI 2010/07/05 CHK: MSASAO 2010/07/05 APPR: MSASAO 2010/07/07	GENERAL TOLERANCES (UNLESS SPECIFIED)		DIMENSION STYLE	SCALE	DESIGN UNITS	THIRD ANGLE PROJECTION
	10 UNDER	±---	MM ONLY	---	METRIC	
	10 OVER	±---				
	30 OVER	±---				
	ANGULAR	±---				
DRAFT WHERE APPLICABLE MUST REMAIN WITHIN DIMENSIONS			DRAWN BY	DATE	TITLE	
			RTAKEUCHI	2007/10/03	0.4 B-TO-B CONN. HGT=1.0 REC ASSY EMBSTP PKG	
			CHECKED BY	DATE		
			MSASAO	2007/10/03		
			APPROVED BY	DATE		
			MSASAO	2007/10/03		
			MATERIAL NO.	DOCUMENT NO.	SHEET NO.	
			SEE TABLE	SD-502426-002	4 OF 4	
THIS DRAWING CONTAINS INFORMATION THAT IS PROPRIETARY TO MOLEX INCORPORATED AND SHOULD NOT BE USED WITHOUT WRITTEN PERMISSION						