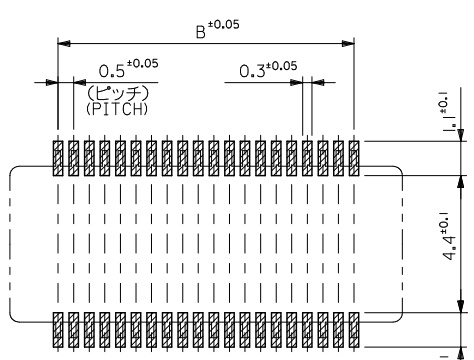
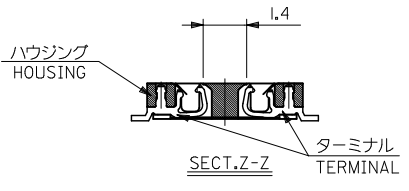
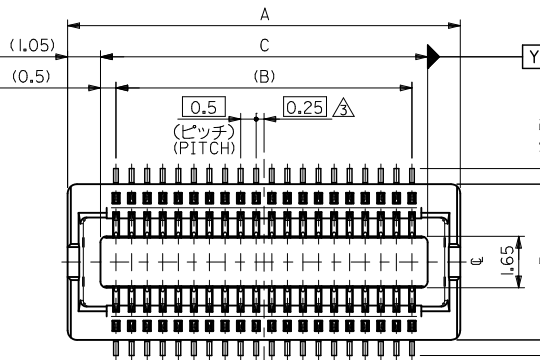
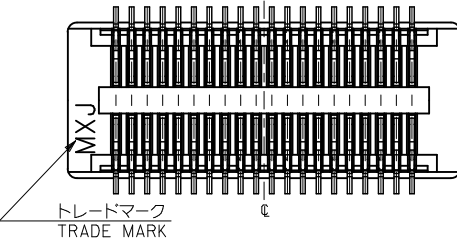
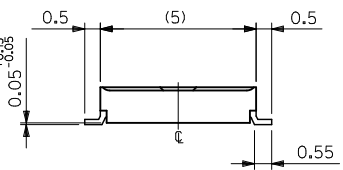
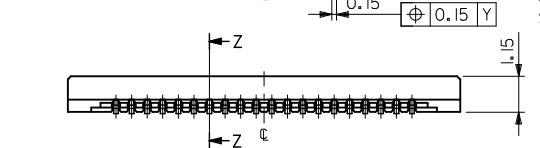


10 9 8 7 6 5 4 3 2 1



参考基板レイアウト (マウント面)  
P.C.BOARD PATTERN  
DIMENSION. (REF.)  
(MOUNTING AREA)

30極以下品形状  
SHAPE OF 30CIRCUITS OR LESS



注記 NOTES:

- 使用材料 MATERIAL  
ハウジング: 液晶ポリマー ガラス充填, UL94V-0 (黒)  
HOUSING: LIQUID CRYSTAL POLYMER (GLASS FILLED)  
UL94V-0, (COLOR: BLACK)  
ターミナル: リン青銅 (t=0.15)  
TERMINAL: PHOSPHOR BRONZE (t=0.15)
- メッキ仕様 PLATING  
金メッキ 0.25 MICROMETER MINIMUM (コンタクト部)  
GOLD 0.25 MICROMETER MINIMUM. (CONTACT AREA)  
金メッキ 0.4 MICROMETER MAXIMUM (テール部)  
GOLD 0.4 MICROMETER MAXIMUM. (TAIL AREA)  
下地メッキ: ニッケルメッキ 1.5 MICROMETER MINIMUM  
UNDER PLATING: NICKEL 1.5 MICROMETER MINIMUM

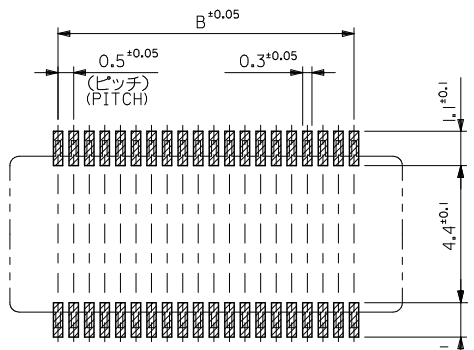
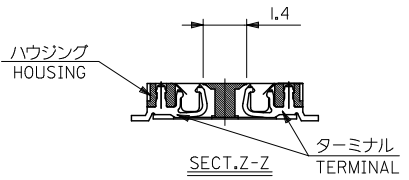
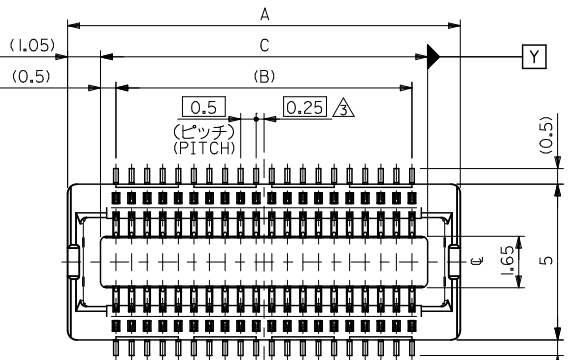
- △ (全極数/2) = 偶数の場合に適用。  
APPLY FOR (CIRCUIT/2)=EVEN.
- 4 嵌合相手: 55560 シリーズ, 53794 シリーズ  
MATE WITH: 55560 SERIES, 53794 SERIES.
- 5 テール平坦度は, 0.1 MAXIMUM.  
TAIL COPLANARITY TO BE 0.1 MAXIMUM.

8.0	7.0	10.1	54722-0301	30
6.5	5.5	8.6	54722-0241	24
6.0	5.0	8.1	54722-0221	22
5.5	4.5	7.6	54722-0201	20
4.5	3.5	6.6	54722-0161	16
C	B	A	MATERIAL. NO	極数 CIRCUIT

MODEL NO. 54722-\*\*\*\*

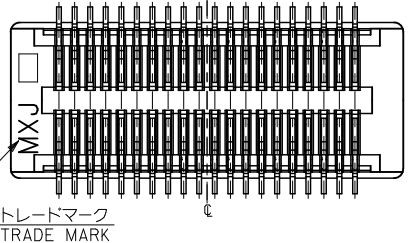
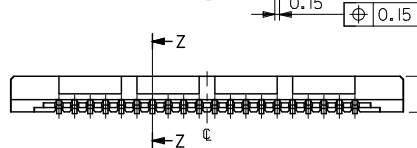
REVISED EC NO: J2010-1532 DRAWN BY: DRINKYAMANE CHKD: SHIRUYAMA APPR: MSASAO H	GENERAL TOLERANCES (UNLESS SPECIFIED)		DIMENSION STYLE MM ONLY		SCALE ---	DESIGN UNITS METRIC	THIRD ANGLE PROJECTION
	10 UNDER	±0.20	DRAWN BY S. AIHARA	DATE 2000/10/05	TITLE 0.5 B-T0-B CONN REC HOUSING ASSY (HGT=1.5) (SHEET 1 OF 2)		
	10 OVER 30 UNDER	±0.25	CHECKED BY T. ITO	DATE 2000/10/05	MOLEX INCORPORATED		
	30 OVER	±0.3	APPROVED BY M. FUKUSHIMA	DATE 2000/10/05	DOCUMENT NO. SD-54722-007	SHEET NO. 1 OF 2	
ANGULAR	±3 °	MATERIAL NO. SEE CHART		THIS DRAWING CONTAINS INFORMATION THAT IS PROPRIETARY TO MOLEX INCORPORATED AND SHOULD NOT BE USED WITHOUT WRITTEN PERMISSION			
DRAFT WHERE APPLICABLE MUST REMAIN WITHIN DIMENSIONS							

10 9 8 7 6 5 4 3 2 1



参考基板レイアウト (マウント面)  
P.C. BOARD PATTERN DIMENSION (REF.) (MOUNTING AREA)

34極以上品形状  
SHAPE OF 34CIRCUITS OR MORE



注記 NOTES:

1. 使用材料 MATERIAL  
 ハウジング: 液晶ポリマー ガラス充填, UL94V-0 (黒)  
 HOUSING: LIQUID CRYSTAL POLYMER (GLASS FILLED)  
 UL94V-0, (COLOR: BLACK)  
 ターミナル: リン青銅 (t=0.15)  
 TERMINAL: PHOSPHOR BRONZE (t=0.15)
2. メッキ仕様 PLATING  
 金メッキ 0.25 MICROMETER MINIMUM (コンタクト部)  
 GOLD 0.25 MICROMETER MINIMUM. (CONTACT AREA)  
 金メッキ 0.4 MICROMETER MAXIMUM (テール部)  
 GOLD 0.4 MICROMETER MAXIMUM. (TAIL AREA)  
 下地メッキ: ニッケルメッキ 1.5 MICROMETER MINIMUM  
 UNDER PLATING: NICKEL 1.5 MICROMETER MINIMUM

- △ (全極数/2) = 偶数の場合に適用。  
 APPLY FOR (CIRCUIT/2)=EVEN.
- 4 嵌合相手: 55560 シリーズ, 53794 シリーズ  
 MATE WITH: 55560 SERIES, 53794 SERIES.
- 5 テール平坦度は, 0.1 MAXIMUM.  
 TAIL COPLANARITY TO BE 0.1 MAXIMUM.

20.5	19.5	22.6	54722-0801	80
15.5	14.5	17.6	54722-0601	60
13.0	12.0	15.1	54722-0501	50
10.5	9.5	12.6	54722-0401	40
9.0	8.0	11.1	54722-0341	34
C	B	A	MATERIAL. NO	極数 CIRCUIT

MODEL NO. 54722-\*\*\*1

SEE SHEET 1 OF 2 EC NO: J2010-1532 DRW: KYAMANE 2010/02/01 CHK: D. SMARYAMA 2010/02/01 APPR: MSASAO 2010/02/01 H REV	GENERAL TOLERANCES (UNLESS SPECIFIED)		DIMENSION STYLE MM ONLY		SCALE ---	DESIGN UNITS METRIC	THIRD ANGLE PROJECTION
	10 UNDER	±0.20	DRAWN BY S. AIHARA	DATE 2001/02/13	TITLE 0.5 B-T0-B CONN REC HOUSING ASSY (HGT=1.5) (SHEET 2 OF 2)		
	10 OVER 30 UNDER	±0.25	CHECKED BY T. ITO	DATE 2001/02/13	MOLEX INCORPORATED DOCUMENT NO. SD-54722-007 SHEET NO. 2 OF 2		
	30 OVER	±0.3	APPROVED BY M. FUKUSHIMA	DATE 2001/02/13			
ANGULAR ±3 °		MATERIAL NO. SEE CHART		THIS DRAWING CONTAINS INFORMATION THAT IS PROPRIETARY TO MOLEX INCORPORATED AND SHOULD NOT BE USED WITHOUT WRITTEN PERMISSION			
DRAFT WHERE APPLICABLE MUST REMAIN WITHIN DIMENSIONS							

DWG. NO. SD-54722-010

8 7 6 5 4 3 2 1

F

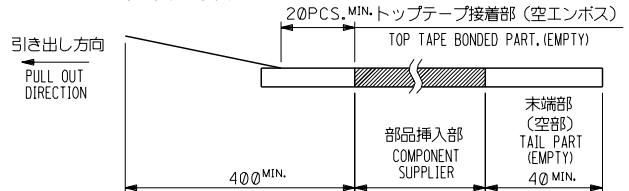
D

C

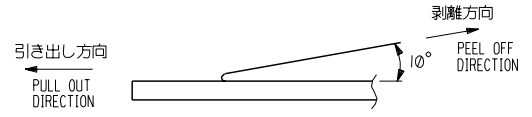
B

NOTES

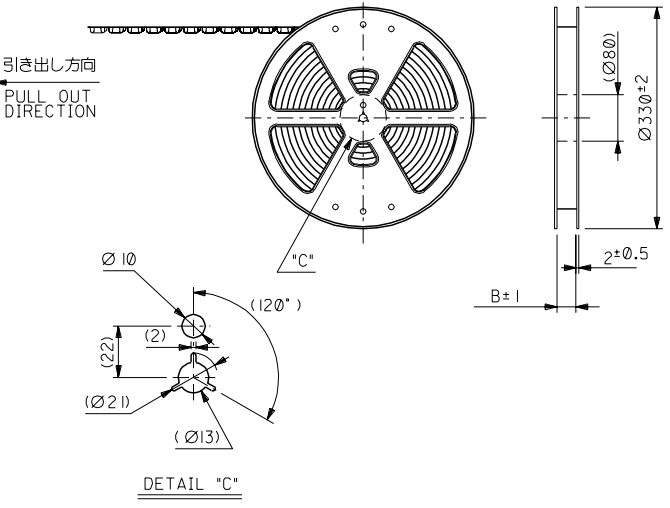
- 製品詳細寸法については図面 SD-54722-007 を参照下さい。  
RE DETAILED DIMENSION, SEE SD-54722-007
- 梱包数量：2000個/リール  
NUMBER OF CONNECTORS：2000PCS/REEL
- リードテープ長さ LEAD TAPE LENGTH



- トップテープの剥離強度：0.1N ~ 0.7N(10.2gf ~ 71.4gf)  
(剥離方向は下図参照)  
尚、本規格値は出荷時に適用。(但し、輸送時に剥離が発生しないこと。)  
PEELING OFF FORCE OF TOP TAPE : 0.1N ~ 0.7N(10.2gf ~ 71.4gf)  
(PEELING DIRECTION AS SHOWN IN FOLLOWING FIG.)  
THIS REQUIREMENT SHOULD BE APPLIED AT SHIPMENT.  
PEEL OFF SHOULD NOT BE ALLOWED , DURING TRANSPORTATION.



- 材料 (MATERIAL)  
キャリアテープ：ポリプロピレン (PP)  
CARRIER TAPE : POLYPROPYLENE (PP)  
トップテープ：PET, PE, PEF  
TOP TAPE : PET, PE, PEF  
リール：ポリスチレン (PS) <リサイクル材を含む>  
REEL : POLYSTYRENE (PS) <RECYCLE MATERIAL CONTAINED>

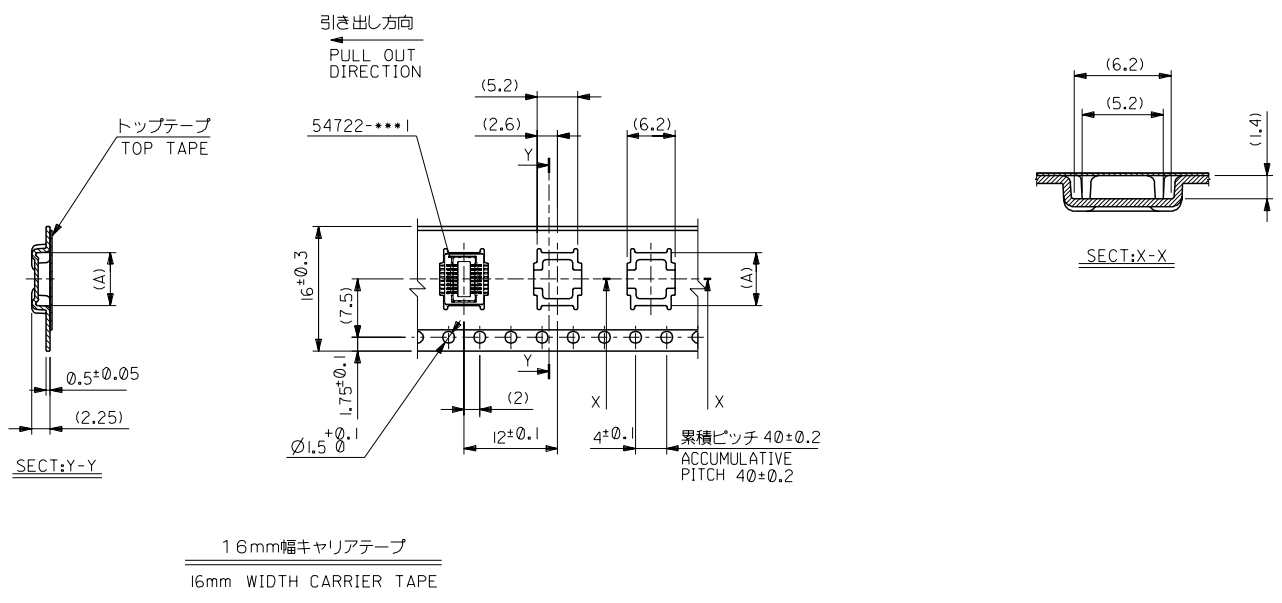


DO NOT SCALE DRAWING

E04NO. DRWN: CHK: APPR:	E03NO. DRWN: CHK: APPR:	E02NO. DRWN: CHK: APPR:	REVISED 01/09/19	REVISED 01/09/19	E01NO. J2002-0650 DRWNR: TAKEUCHI CHK: T.ITO APPR: T.YAMAGUCHI	PROPOSED	E00NO. JC2001-0402 DRWN: SAIHARA 00/11/28 CHK: T.ITO APPR: M.FUKUSHIMA	MATERIAL 材料	注記参照 SEE NOTES	GENERAL TOLERANCES: (UNLESS SPECIFIED) 一般公差	SCALE 1/1	MODEL NO. 54722-***8	DIMENSIONS: DIMENSIONS: PROJECTION	SHT	REV
			FINISH 仕上り					//	10 UNDER 未満	+0.2	DRAWN BY & DATE S.AIHARA 00/11/28	DESIGN UNITS mm INCH	0.5mm	mm ONLY	REVISE ON CAD ONLY
E04NO. DRWN: CHK: APPR:	E03NO. DRWN: CHK: APPR:	E02NO. DRWN: CHK: APPR:	E01NO. J2002-0650 DRWNR: TAKEUCHI CHK: T.ITO APPR: T.YAMAGUCHI	PROPOSED	E00NO. JC2001-0402 DRWN: SAIHARA 00/11/28 CHK: T.ITO APPR: M.FUKUSHIMA	REV	DESCRIPTION	WIRE RANGE 適用電線範囲	//	10 OVER 以上 30 UNDER 未満	+0.25	CHECKED BY & DATE T.ITO 01/09/19	TITLE: 0.5 B-To-B Conn Rec Assy (Hgt=1.5) Embstp Pkg	MATERIAL NO. DRAWING NO. SD-54722-010	SHEET NO. 1 OF 3
								INS. RANGE 被覆外径	//	30 OVER 以上	+0.3	APPROVED BY & DATE T.YAMAGUCHI 01/09/19	MOLEX INCORPORATED		
8	7	6	5	4	3	2	1			ANGLE 角度	+3°	CAD FILENAME 54722010.S01	SEE CHART	EN-02J(097) MXJ-54	

A 10.000.010.001

DWG. NO. SD-54722-010

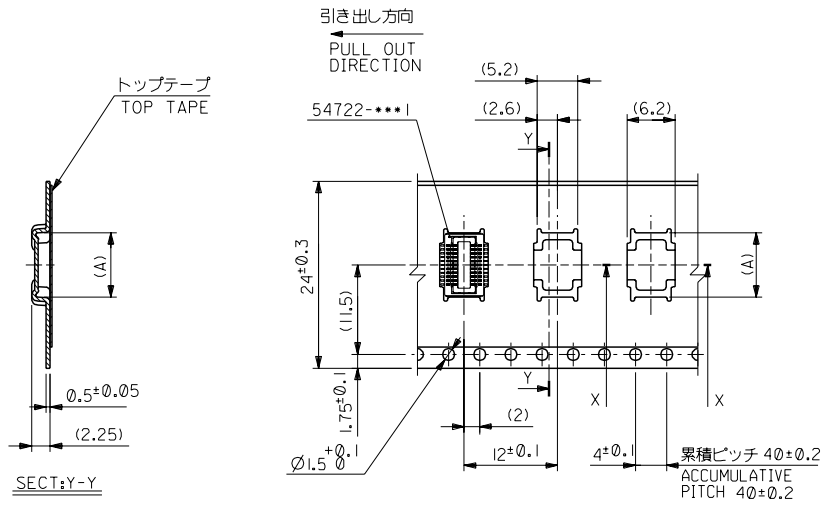


16mm幅キャリアテープ  
16mm WIDTH CARRIER TAPE

16	17.5	6.8	54722-0168	16
キャリアテープ幅 CARRIER TAPE WIDTH			B	(A)
			MATERIAL NO.	極致 CIRCUIT

DO NOT SCALE DRAWING	E04 NO. DRWN: CHFK: APPR:	E03 NO. DRWN: CHFK: APPR:	E02 NO. DRWN: CHFK: APPR:	REVISED 01/09/19 E01 NO. J2002-0650 DRWNR: TAKEUCHI CHK: T.ITO APPR: I.YAMAGUCHI	PROPOSED E00 NO. JC2001-0402 DRWN: SAIHARA 01/11/28 CHK: T.ITO APPR: M.FUKUSHIMA	MATERIAL 材料 SHEET 1 OF 3 参照 REFER TO SHEET 1 OF 3	GENERAL TOLERANCES: (UNLESS SPECIFIED) 一般公差	SCALE 1:1	DESIGN UNITS 2mm	MODEL NO. 54722-***8	DIMENSIONS: 2mm	SHT 2	REV 3
				FINISH 仕上り //	10 UNDER 未満 +0.2 10 OVER 以上 30 UNDER 未満 +0.25 30 OVER 以上 +0.3	DRAWN BY & DATE S.AIHARA 00/11/28 CHECKED BY & DATE T.ITO 01/09/19 APPROVED BY & DATE T.YAMAGUCHI 01/09/19	TITLE: 0.5 B-To-B Conn Rec Assy (Hgt=1.5) Embstp Pkg	MATERIAL NO. SEE CHART	DRAWING NO. SD-54722-010	SHEET NO. 2 OF 3			
				A	0	WIRE RANGE 適用電線範囲 //	ANGLE 角度 +3°	CAD FILENAME 54722010.S02	MOLEX INCORPORATED		SIZE B		
						INS. RANGE 被覆外径 //	DRAWING CONTAINS INFORMATION THAT IS PROPRIETARY TO MOLEX INCORPORATED AND SHOULD NOT BE USED WITHOUT WRITTEN PERMISSION.		EN-02J(097) MXJ-54		54722010.S02		

DWG. NO. SD-54722-010



24mm幅キャリアテープ  
24mm WIDTH CARRIER TAPE

24	25.5	10.3	54722-0308	30
		8.3	54722-0228	22
キャリアテープ幅 CARRIER TAPE WIDTH	B	(A)	MATERIAL NO.	極致 CIRCUIT

DO NOT SCALE DRAWING		REVISED 01/09/19 DESIGN NO. J2002-0650 DRAWNR. TAKEUCHI CHKR. T.ITO APPR. I.YAMAGUCHI		PROPOSED DESIGN NO. JC2001-0402 DRAWN S.AIHARA 08/11/28 CHKR. T.ITO APPR. M.FUKUSHIMA		MATERIAL 材料 SHEET 1 OF 3 参照 REFER TO SHEET 1 OF 3		GENERAL TOLERANCES: (UNLESS SPECIFIED) 一般公差		SCALE 1:1		DESIGN UNITS <input checked="" type="checkbox"/> mm <input type="checkbox"/> INCH		MODEL NO. 54722-***8		DIMENSIONS: <input type="checkbox"/> mm <input type="checkbox"/> INCH <input checked="" type="checkbox"/> mm ONLY		SHT 22 REV 01 REVISION ON CAD ONLY	
E004NO. DRAWN: CHKR: APPR:		E003NO. DRAWN: CHKR: APPR:		E002NO. DRAWN: CHKR: APPR:		FINISH 仕上り //		10 UNDER 未満 //		DRAWN BY & DATE S.AIHARA 08/11/28		TITLE: 0.5 B-To-B Conn Rec Assy (Hg+=1.5) Embstp Pkg		MATERIAL NO. SEE CHART		DRAWING NO. SD-54722-010		SHEET NO. 3 OF 3	
E001NO. DRAWN: CHKR: APPR:		E000NO. DRAWN: CHKR: APPR:		WIRE RANGE 適用電線範囲 //		30 OVER 以上 //		10 OVER 以上 30 UNDER 未満 +0.25		CHECKED BY & DATE T.ITO 01/09/19		MOLEX INCORPORATED		MATERIAL NO. SEE CHART		DRAWING NO. SD-54722-010		SIZE B	
REV		INS. RANGE 被覆外径 //		ANGLE 角度 +3°		30 OVER 以上 +0.3		APPROVED BY & DATE T.YAMAGUCHI 01/09/19		CAD FILENAME 54722010.S03		MATERIAL NO. SEE CHART		DRAWING NO. SD-54722-010		SHEET NO. 3 OF 3		SIZE B	

EN-02J(097) MXJ-54