

注記 NOTES:

1. 使用材料 MATERIAL
 ハウジング: LCPガラス入り (白), UL94V-0
 HOUSING: LCP(G.F.) (COLOR: WHITE), UL94V-0
 ターミナル: リン青銅 (t=0.15)
 TERMINAL: PHOSPHOR BRONZE (t=0.15)
 2. メッキ仕様 PLATING
 全体仕上げ: 金メッキ 0.1 MICROMETER MIN.
 ALL OVER: GOLD 0.1 MICROMETER MIN.
 下地メッキ: ニッケルメッキ 1.5 MICROMETER MIN.
 UNDER PLATING: NICKEL 1.5 MICROMETER MIN.
 3. 基準面 X からのソルダーテールの半田付け面のズレ量は、上方向 0、下方向 0.15MAX. とする。
 MISALIGNMENT OF SOLDER TAIL FROM X
 : UPPER DIRECTION 0, LOWER DIRECTION 0.15 MAX.
- △ (全極数/2) = 偶数の場合に適用。
 APPLY FOR (CIRCUIT/2) = EVEN.

- 5 嵌合相手: 53748 シリーズ 53916 シリーズ 502280 シリーズ
 MATE WITH: 53748 SERIES, 53916 SERIES, 502280 SERIES.
- 6 テール平坦度は、0.1MAX.
 TAIL COPLANARITY TO BE 0.1MAX.

23.8	20.2	19.5	52991-0800	80
21.3	17.7	17.0	-0700	70
18.8	15.2	14.5	-0600	60
16.3	12.7	12.0	-0500	50
13.8	10.2	9.5	-0400	40
11.3	7.7	7.0	-0300	30
8.8	5.2	4.5	52991-0200	20
C	B	A	MATERIAL NO.	極数 CIRCUIT

REVISED	DESCRIPTION	GENERAL TOLERANCES (UNLESS SPECIFIED)	DIMENSION STYLE MM ONLY	SCALE 8:1	DESIGN UNITS METRIC	THIRD ANGLE PROJECTION
REV. 01	EC NO: J2007-0273 DRAWN: TENAGASE 2006/07/28 CHKD: THAYAMA 2006/08/03 APPR: NUKITA 2006/08/07	10 UNDER ±0.2 10 OVER 30 UNDER ±0.25 30 OVER ±0.3	DRAWN BY S. AIHARA DATE '96/02/27	TITLE 0.5 B/B CONN REC HOUSING ASSY(W/O BOSS, W/O NAIL) -LEAD FREE-		
REV. 02		ANGULAR ±3 °	CHECKED BY M. SASAO DATE '01/12/26			
REV. 03		DRAFT WHERE APPLICABLE MUST REMAIN WITHIN DIMENSIONS	APPROVED BY M. SASAO DATE '01/12/26			
REV. 04			MATERIAL NO. SEE CHART	DOCUMENT NO. SD-52991-004		SHEET NO. 1 OF 1

10 9 8 7 6 5 4 3 2 1

F

E

D

C

B

A

F

E

D

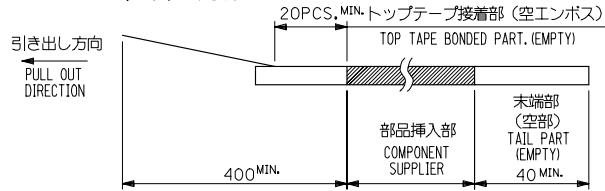
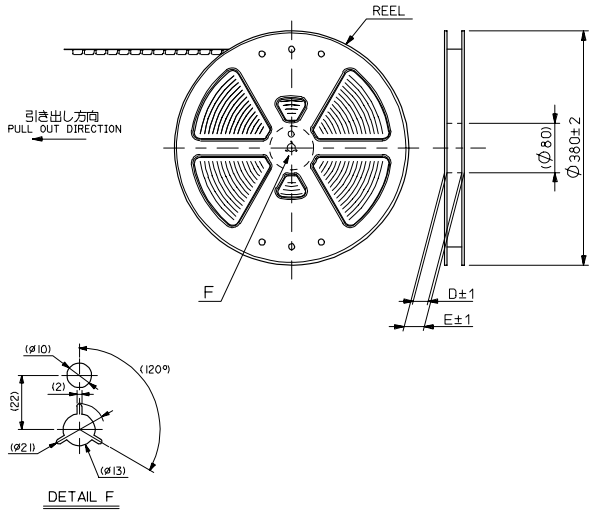
C

B

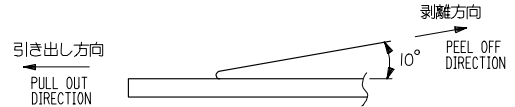
A

NOTES

1. 製品詳細寸法については図面 SD-52991-004 を参照下さい。
RE DETAILED DIMENSION, SEE SD-52991-004
2. 梱包数量：3000個/リール
NUMBER OF CONNECTORS : 3000PCS/REEL
3. リードテープ長さ LEAD TAPE LENGTH



4. トップテープの剥離強度：0.1N~1.3N (10gf~130gf) (剥離方向は下図参照)
尚、本規格値は出荷時に適用。(但し、輸送時に剥離が発生しないこと。)
PEELING OFF FORCE OF TOP TAPE : 0.1N~1.3N (10gf~130gf)
(PEELING DIRECTION AS SHOWN IN FOLLOWING FIG.)
THIS REQUIREMENT SHOULD BE APPLIED AT SHIPMENT.
PEEL OFF SHOULD NOT BE ALLOWED , DURING TRANSPORTATION.



5. 材料 (MATERIAL)
キャリアテープ (CARRIER TAPE) : ポリプロピレン (POLYPROPYLENE)
トップテープ (TOPTAPE) : PET , PE , PEF
リール (REEL) : ポリスチレン (P.S) <リサイクル材を含む>
POLYSTYRENE (P.S) <RECYCLE MATERIAL CONTAINED>

52991-***8 MODEL NO.

REVISED REV. D	EC NO. J2006-0604	GENERAL TOLERANCES (UNLESS SPECIFIED)	DIMENSION STYLE MM ONLY	SCALE ---	DESIGN UNITS METRIC	THIRD ANGLE PROJECTION
	2005/08/31 DRAWN BY I. NAKAMURA	10 UNDER ±0.2	DRAWN BY T. N. IITSU	DATE '95/10/17	TITLE 0.5 B/B CONN REC HSG ASSY EMBSTP PKG -LEAD FREE-	
	2005/09/01 CHKD BY Y. OYODA	10 OVER 30 UNDER ±0.25	CHECKED BY T. ITO	DATE '01/01/31		
	2005/09/09 APPR. BY M. NIKITA	30 OVER ±0.3	APPROVED BY M. FUKUSHIMA	DATE '01/01/31	MOLEX INCORPORATED	
	ANGULAR ±3 °	DRAFT WHERE APPLICABLE MUST REMAIN WITHIN DIMENSIONS	MATERIAL NO. SEE CHART	DOCUMENT NO. SD-52991-005	SHEET NO. 1 OF 6	

9

8

7

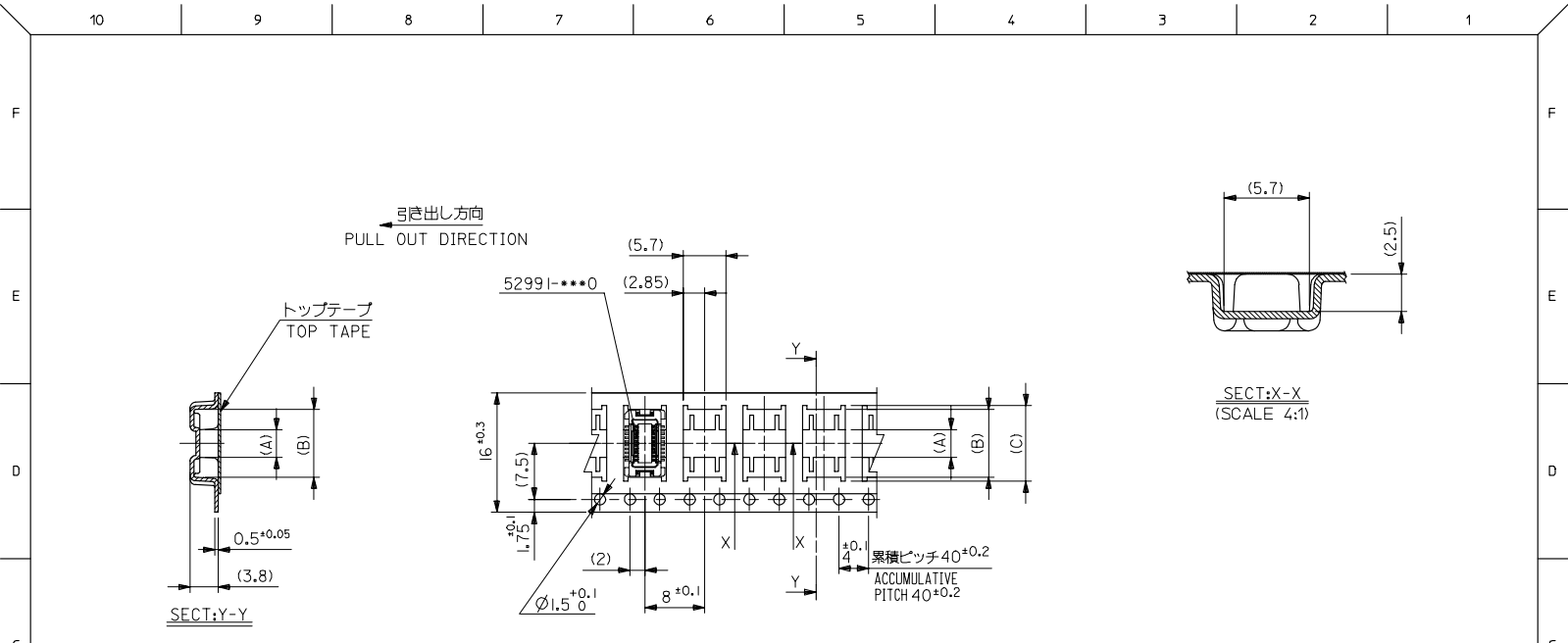
6

5

4

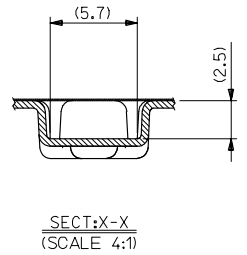
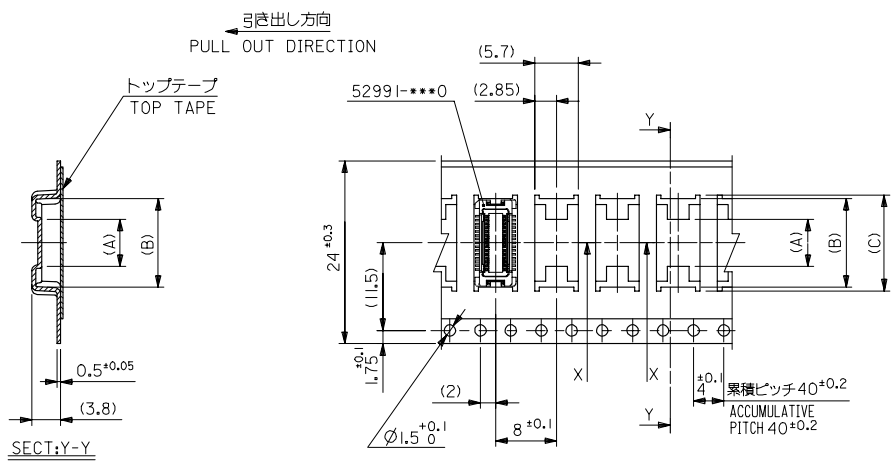
3

2



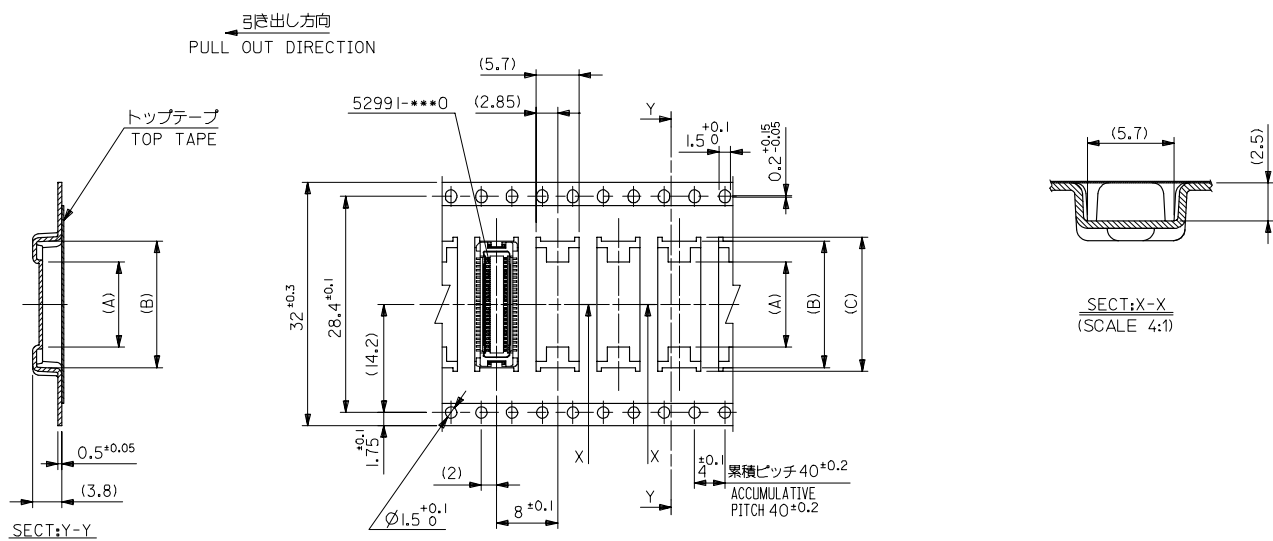
16mm幅キャリアテープ
16mm WIDTH CARRIER TAPE

REVISED EC NO. J2006-0604 DRW:NAIDA 2005/08/31 CHK:KTOYODA 2005/09/01 APPR:NIKIITA 2005/09/09	52991-***8	MODEL NO.	16	21.4	17.4	10.1	9.1	3.7	52991-0208	20	
	GENERAL TOLERANCES (UNLESS SPECIFIED)		DIMENSION STYLE MM ONLY		SCALE ---	DESIGN UNITS METRIC		THIRD ANGLE PROJECTION			
	10 UNDER	± ---	DRAWN BY T. NIITSU	DATE '95/10/17		TITLE 0.5 B/B CONN REC HSG ASSY EMBSTP PKG -LEAD FREE-					
	10 OVER 30 UNDER	± ---	CHECKED BY T. ITO	DATE '01/01/31		MOLEX INCORPORATED					
30 OVER	± ---	APPROVED BY M. FUKUSHIMA	DATE '01/01/31		MATERIAL NO.		DOCUMENT NO. SD-52991-005		SHEET NO. 2 OF 6		
ANGULAR ± --- °		DRAFT WHERE APPLICABLE MUST REMAIN WITHIN DIMENSIONS		SEE CHART		THIS DRAWING CONTAINS INFORMATION THAT IS PROPRIETARY TO MOLEX INCORPORATED AND SHOULD NOT BE USED WITHOUT WRITTEN PERMISSION					



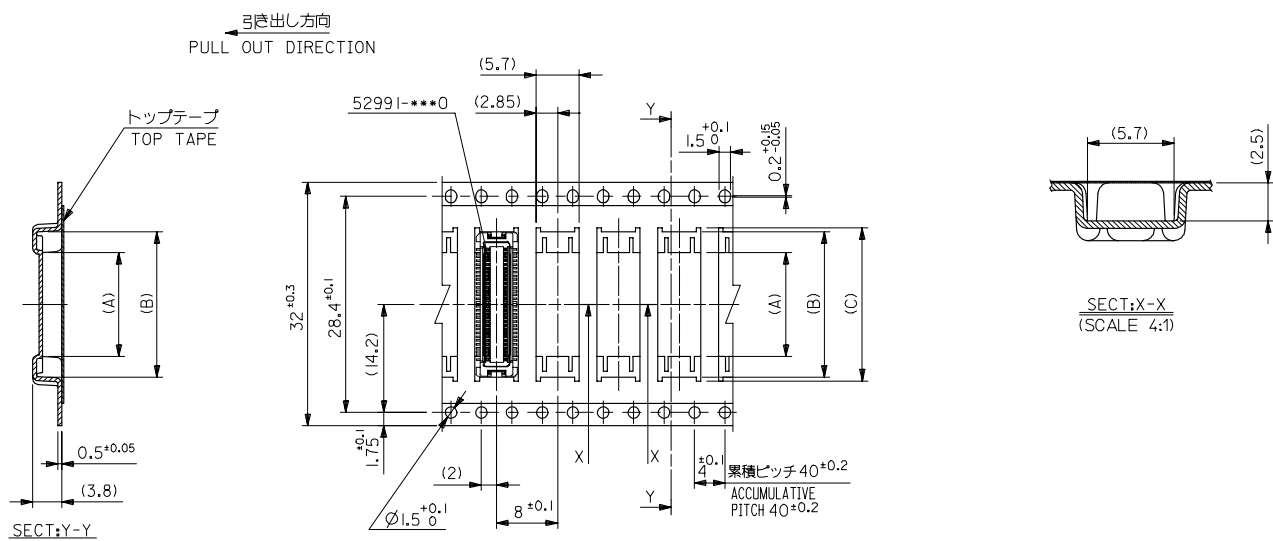
24mm幅キャリアテープ
24mm WIDTH CARRIER TAPE

REVISED EC NO. J2006-0604 DRAWN BY DRWNAIDA CHKD KTUYODA APPR. NUKITA	DESCRIPTION 2005/08/31 2005/09/01 2005/09/09	52991-***8	MODEL NO.	24	29.4	25.4	15.1	14.1	7.4	52991-0408	40
				E	D	(C)	(B)	(A)	MATERIAL NO.	種数 CKT.	
GENERAL TOLERANCES (UNLESS SPECIFIED)				DIMENSION STYLE MM ONLY		SCALE ---	DESIGN UNITS METRIC		THIRD ANGLE PROJECTION		
10 UNDER ±---				DRAWN BY S. AIHARA		DATE '96/04/01	TITLE 0.5 B/B CONN REC HSG ASSY EMBSTP PKG -LEAD FREE-				
10 OVER 30 UNDER ±---				CHECKED BY T. ITO		DATE '01/01/31					
30 OVER ±---				APPROVED BY M. FUKUSHIMA		DATE '01/01/31					
ANGULAR ±--- °				MATERIAL NO.		DOCUMENT NO.		MOLEX INCORPORATED			
DRAFT WHERE APPLICABLE MUST REMAIN WITHIN DIMENSIONS				SEE CHART		SD-52991-005		SHEET NO. 3 OF 6			
THIS DRAWING CONTAINS INFORMATION THAT IS PROPRIETARY TO MOLEX INCORPORATED AND SHOULD NOT BE USED WITHOUT WRITTEN PERMISSION											



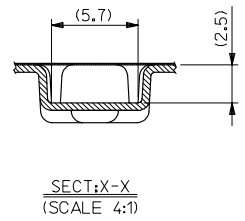
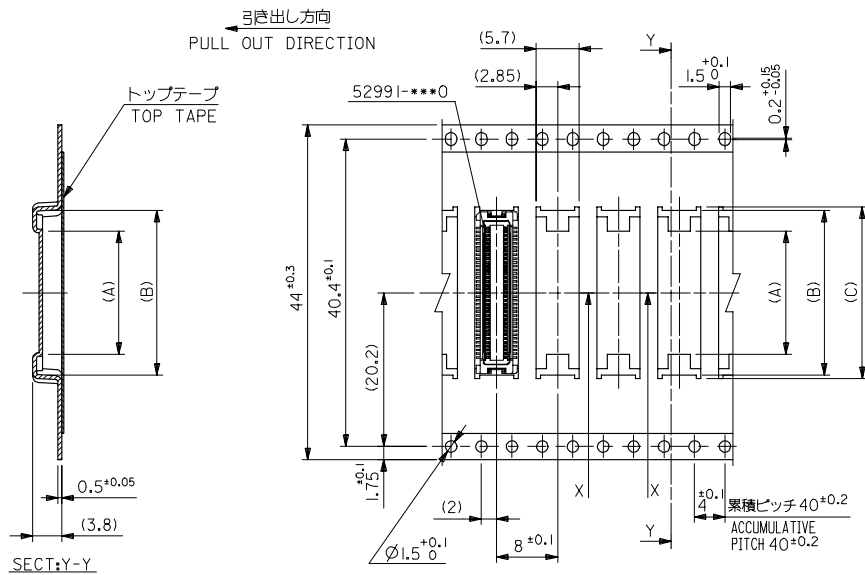
32mm幅キャリアテープ
32mm WIDTH CARRIER TAPE

REVISED REV D	EC NO. J2006-0604	2005/08/31	2005/09/01	2005/09/09	52991-***8	MODEL NO.	32	37.4	33.4	17.6	16.6	11.2	52991-0508	50	
	DRW:NAIDA	CHK:KTOYODA	APP:NIKIITA	DESCRIPTION	GENERAL TOLERANCES (UNLESS SPECIFIED)	DIMENSION STYLE	MM ONLY	SCALE	---	DESIGN UNITS	METRIC	THIRD ANGLE PROJECTION	MATERIAL NO.	種数 CKT.	
	10 UNDER	± ---	10 OVER	30 UNDER	± ---	30 OVER	± ---	ANGULAR	± --- °	DRAFT WHERE APPLICABLE MUST REMAIN WITHIN DIMENSIONS	DRAWN BY	T.YASUI	DATE	'96/04/15	
						CHECKED BY	T. ITO	DATE	'01/01/31	APPROVED BY	M. FUKUSHIMA	DATE	'01/01/31	TITLE	0.5 B/B CONN REC HSG ASSY EMBSTP PKG -LEAD FREE-
					MATERIAL NO.	SEE CHART	DOCUMENT NO.	SD-52991-005	MOLEX INCORPORATED					SHEET NO.	4 OF 6
THIS DRAWING CONTAINS INFORMATION THAT IS PROPRIETARY TO MOLEX INCORPORATED AND SHOULD NOT BE USED WITHOUT WRITTEN PERMISSION															



32mm幅キャリアテープ
32mm WIDTH CARRIER TAPE

REVISED REV D	EC NO. J2006-0604	2005/08/31	2005/09/01	2005/09/09	52991-***8	MODEL NO.	32	37.4	33.4	20.1	19.1	13.7	52991-0608	60	
	DRW:NAIDA	CHK:KTOYODA	APP:NUMITA	DESCRIPTION	GENERAL TOLERANCES (UNLESS SPECIFIED)	DIMENSION STYLE	キャリアテープ幅 CARRIER TAPE WIDTH		E	D	(C)	(B)	(A)	MATERIAL NO.	種数 CKT.
	10 UNDER ± ---					MM ONLY		SCALE		---		DESIGN UNITS		THIRD ANGLE	
	10 OVER 30 UNDER ± ---					DRAWN BY		DATE		TITLE		METRIC		0.5 B/B CONN REC HSG ASSY EMBSTP PKG -LEAD FREE-	
30 OVER ± ---					CHECKED BY		DATE		APPROVED BY		DATE		MATERIAL NO.		DOCUMENT NO.
ANGULAR ± --- °					M.FUKUSHIMA		'01/01/31		M.OLEX		MOLEX INCORPORATED		SD-52991-005		SHEET NO.
DRAFT WHERE APPLICABLE MUST REMAIN WITHIN DIMENSIONS					SEE CHART		THIS DRAWING CONTAINS INFORMATION THAT IS PROPRIETARY TO MOLEX INCORPORATED AND SHOULD NOT BE USED WITHOUT WRITTEN PERMISSION		SIZE		A3		5 OF 6		EN-02JA(021)



44mm幅キャリアテープ
44mm WIDTH CARRIER TAPE

REVISED EC NO. J2006-0604 DRAWN BY CHIKAKIYODA CHKD BY YODA APP: NUKITA	DESCRIPTION 2005/08/31 2005/09/01 2005/09/09	52991-***8	MODEL NO.	44	49.4	45.4	25.1	24.1	18.7	52991-0808	80
				キャリアテープ幅 CARRIER TAPE WIDTH	E	D	(C)	(B)	(A)	MATERIAL NO.	種数 CKT.
GENERAL TOLERANCES (UNLESS SPECIFIED)				DIMENSION STYLE MM ONLY		SCALE ---	DESIGN UNITS METRIC		THIRD ANGLE PROJECTION		
10 UNDER ± ---				DRAWN BY T. YASUI		DATE '96/04/15		TITLE 0.5 B/B CONN REC HSG ASSY EMBSTP PKG -LEAD FREE-			
10 OVER 30 UNDER ± ---				CHECKED BY T. ITO		DATE '01/01/31		MOLEX INCORPORATED			
30 OVER ± ---				APPROVED BY M. FUKUSHIMA		DATE '01/01/31					
ANGULAR ± --- °				MATERIAL NO.		DOCUMENT NO.		SHEET NO.			
DRAFT WHERE APPLICABLE MUST REMAIN WITHIN DIMENSIONS				SEE CHART		SD-52991-005		6 OF 6			
				SIZE A3		THIS DRAWING CONTAINS INFORMATION THAT IS PROPRIETARY TO MOLEX INCORPORATED AND SHOULD NOT BE USED WITHOUT WRITTEN PERMISSION					