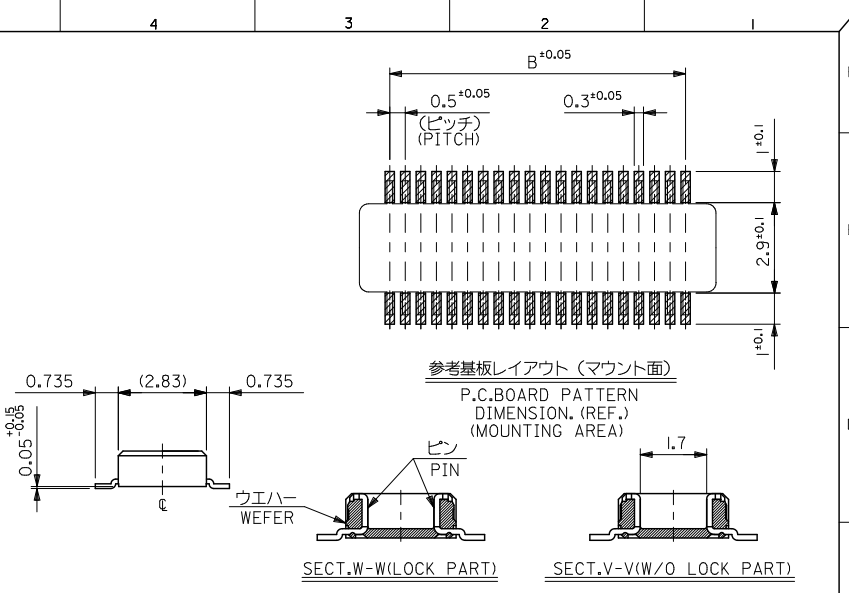
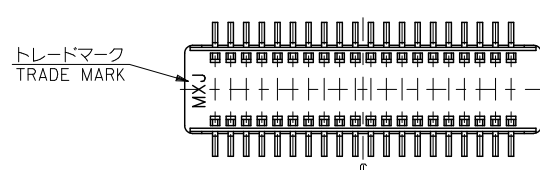
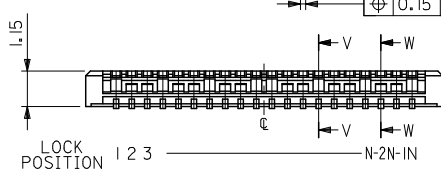
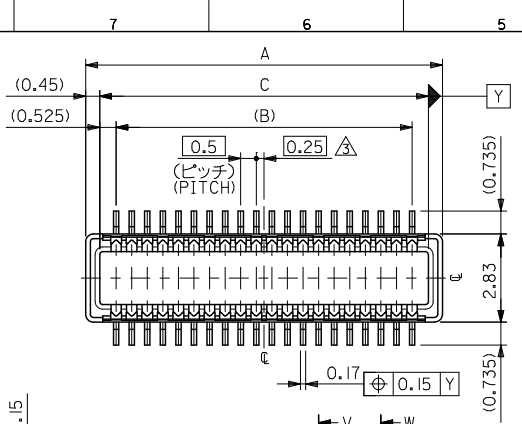


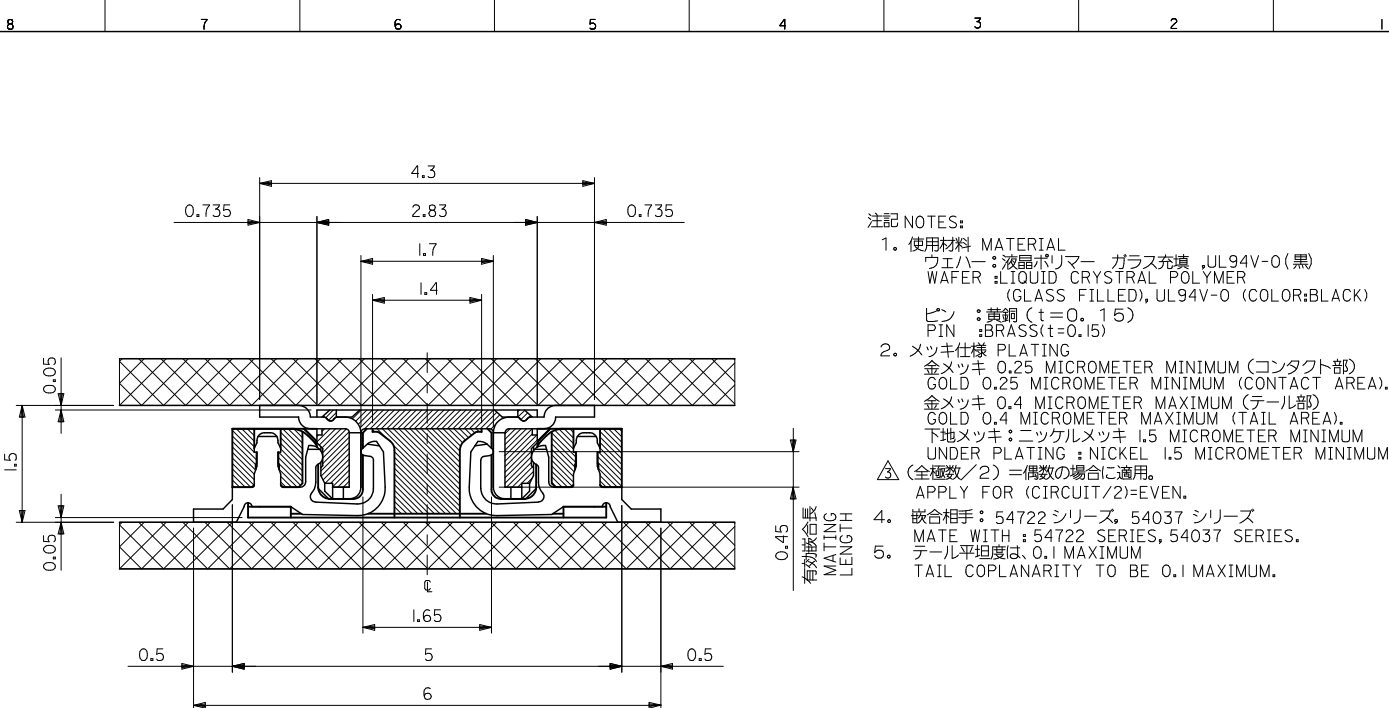
DWG. NO. SD-55560-006



NON	20.55	19.5	21.45	55560-0801	80
10,21	15.55	14.5	16.45	-0601	60
2,4,8,10,16,18,22,24	13.05	12.0	13.95	-0501	50
2,3,5,6,8,9,12,13,15,16,18,19	10.55	9.5	11.45	-0401	40
2,3,4,5,7,8,9,10,11,13,14,15,16	9.05	8.0	9.95	-0341	34
ALL	8.05	7.0	8.95	-0301	30
	6.55	5.5	7.45	-0241	24
	6.05	5.0	6.95	-0221	22
	5.55	4.5	6.45	-0201	20
LOCK POSITION	C	B	A	MATERIAL NO.	極数 CIRCUIT

DO NOT SCALE DRAWING	REVISED EC NO. JZ010-1741 DRWN: Y.GNO '00/09/01 CHK: SMARUYAMA APPR: SMARUYAMA	REVISED EC NO. JZ010-1529 DRWN: Y.GNO '00/07/27 CHK: SMARUYAMA APPR: M.SASAO	REVISED EC NO. JZ003-2517 DRWN: S.ALHARA '03/03/31 CHK: M.SASAO APPR: M.SASAO	REVISED EC NO. JZ003-1929 DRWN: T.YASUI '03/11/23 CHK: T.IITO APPR: T.IITO	REVISED EC NO. JZ003-1468 DRWN: T.YASUI '02/11/25 CHK: T.IITO APPR: T.YAMAGUCHI	MATERIAL 材料 注記参照 SEE NOTES	GENERAL TOLERANCES: (UNLESS SPECIFIED) 一般公差	SCALE 1/4	MODEL NO. 55560-***1	DESIGN UNITS <input checked="" type="checkbox"/> mm <input type="checkbox"/> INCH	DIMENSIONS: <input type="checkbox"/> mm <input type="checkbox"/> INCH <input checked="" type="checkbox"/> mm ONLY	SHT REVISE ON CAD ONLY
	J	I	G	F	E	FINISH 仕上げ //	10 UNDER 未滿 +0.2	DRAWN BY & DATE S.AIHARA '00/10/5	TITLE: 0.5 B-To-B Conn PLUG Assy(Hgt=1.5mm)	THIRD ANGLE PROJECTION	MOLEX INCORPORATED	REVISE ON CAD ONLY
					REV	WIRE RANGE 適用電線範囲 //	10 OVER 以上 30 UNDER 未滿 +0.25	CHECKED BY & DATE M.SASAO '03/03/31				
						INS. RANGE 被覆外径 //	30 OVER 以上 +0.3	APPROVED BY & DATE M.SASAO '03/03/31	CAD FILENAME 55560006.S01	MATERIAL NO. SEE CHART	DRAWING NO. SD-55560-006	SHEET NO. 1 OF 2
							ANGLE 角度 +3°	THIS DRAWING CONTAINS INFORMATION THAT IS PROPRIETARY TO MOLEX INCORPORATED AND SHOULD NOT BE USED WITHOUT WRITTEN PERMISSION.			SIZE B	

EN-02(J097) MXJ-54



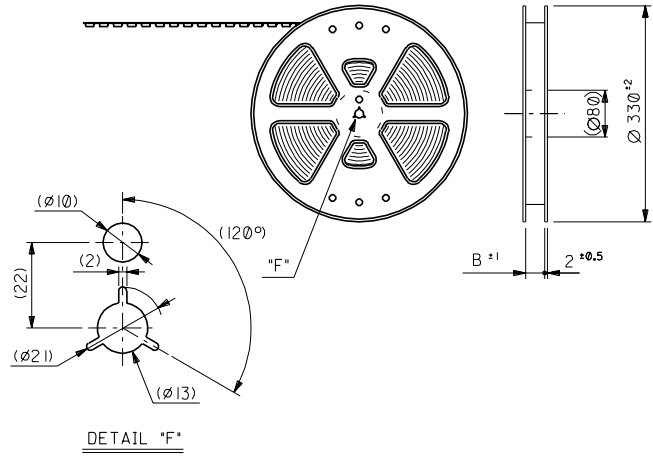
嵌合断面図 (参考)
MATED DRAWING (REF.)

- 注記 NOTES:
1. 使用材料 MATERIAL
 ウェハー: 液晶ポリマー ガラス充填, UL94V-0 (黒)
 WAFER: LIQUID CRYSTAL POLYMER (GLASS FILLED), UL94V-0 (COLOR:BLACK)
 ピン: 黄銅 (t=0.15)
 PIN: BRASS (t=0.15)
 2. メッキ仕様 PLATING
 金メッキ 0.25 MICROMETER MINIMUM (コンタクト部)
 GOLD 0.25 MICROMETER MINIMUM (CONTACT AREA).
 金メッキ 0.4 MICROMETER MAXIMUM (テール部)
 GOLD 0.4 MICROMETER MAXIMUM (TAIL AREA).
 下地メッキ: ニッケルメッキ 1.5 MICROMETER MINIMUM
 UNDER PLATING: NICKEL 1.5 MICROMETER MINIMUM.
 △ (全極数/2) = 偶数の場合に適用。
 APPLY FOR (CIRCUIT/2)=EVEN.
 4. 嵌合相手: 54722 シリーズ, 54037 シリーズ
 MATE WITH: 54722 SERIES, 54037 SERIES.
 5. テール平坦度は, 0.1 MAXIMUM
 TAIL COPLANARITY TO BE 0.1 MAXIMUM.

DO NOT SCALE DRAWING		REVISED EC NO. JZ010-1741 DRWN: Y.GNO '00/03/01 CHK: S.MARUYAMA APPR: S.MARUYAMA		REVISED EC NO. JZ010-1529 DRWN: Y.GNO '00/01/27 CHK: S.MARUYAMA APPR: M.SASAO		REVISED EC NO. JZ003-2517 DRWN: S.ALHARA '03/03/31 CHK: M.SASAO APPR: M.SASAO		REVISED EC NO. JZ003-1929 DRWN: T.YASUI '03/11/23 CHK: T.IITO APPR: T.IITO		REVISED EC NO. JZ003-1468 DRWN: T.YASUI '02/11/25 CHK: T.IITO APPR: T.YAMAGUCHI		MATERIAL 材料 注記参照 SEE NOTES		GENERAL TOLERANCES: (UNLESS SPECIFIED) 一般公差		SCALE スケール		DESIGN UNITS mm <input checked="" type="checkbox"/> INCH		MODEL NO. 55560-****		DIMENSIONS: <input type="checkbox"/> mm <input type="checkbox"/> INCH <input checked="" type="checkbox"/> mm ONLY		SHT REV												
J	I	G	F	E	D	C	B	A	FINISH 仕上げ //		WIRE RANGE 適用電線範囲 //		INS. RANGE 被覆外径 //		10 UNDER 未満		30 UNDER 未満		30 OVER 以上		DRAWN BY & DATE S.ALHARA '00/10/5		CHECKED BY & DATE M.SASAO '03/03/31		APPROVED BY & DATE M.SASAO '03/03/31		CAD FILENAME 55560006.SQ2		MATERIAL NO. SEE CHART		DRAWING NO. SD-55560-006		SHEET NO. 2 OF 2		SIZE B	
ANGLE 角度																		THIRD ANGLE PROJECTION		TITLE: 0.5 B-To-B Conn PLUG Assy(Hgt=1.5mm)		MOLEX INCORPORATED				THIS DRAWING CONTAINS INFORMATION THAT IS PROPRIETARY TO MOLEX INCORPORATED AND SHOULD NOT BE USED WITHOUT WRITTEN PERMISSION.										
																						EN-02(J097) MXJ-54														

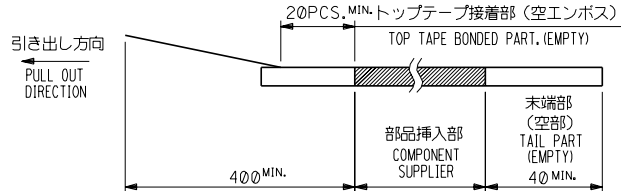
DWG. NO. SD-55560-008

引き出し方向
PULL OUT
DIRECTION

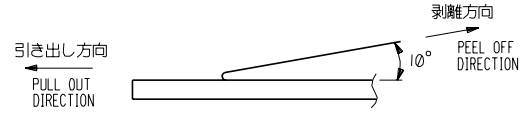


NOTES

- 製品詳細寸法については図面 SD-55560-006 を参照下さい。
RE DETAILED DIMENSION, SEE SD-55560-006
- 梱包数量：2000個/リール
NUMBER OF CONNECTORS：2000PCS/REEL
- リードテープ長さ LEAD TAPE LENGTH



- トップテープの剥離強度：0.1N ~ 0.7N(10.2gf ~ 71.4gf)
(剥離方向は下図参照)
尚、本規格値は出荷時に適用。(但し、輸送時に剥離が発生しないこと。)
PEELING OFF FORCE OF TOP TAPE：0.1N ~ 0.7N(10.2gf ~ 71.4gf)
(PEELING DIRECTION AS SHOWN IN FOLLOWING FIG.)
THIS REQUIREMENT SHOULD BE APPLIED AT SHIPMENT.
PEEL OFF SHOULD NOT BE ALLOWED, DURING TRANSPORTATION.



- 材料 キャリアテープ：ポリプロピレン (PP)
トップテープ：PET, PE, PEF
リール：ポリスチレン (PS) <リサイクル材を含む>

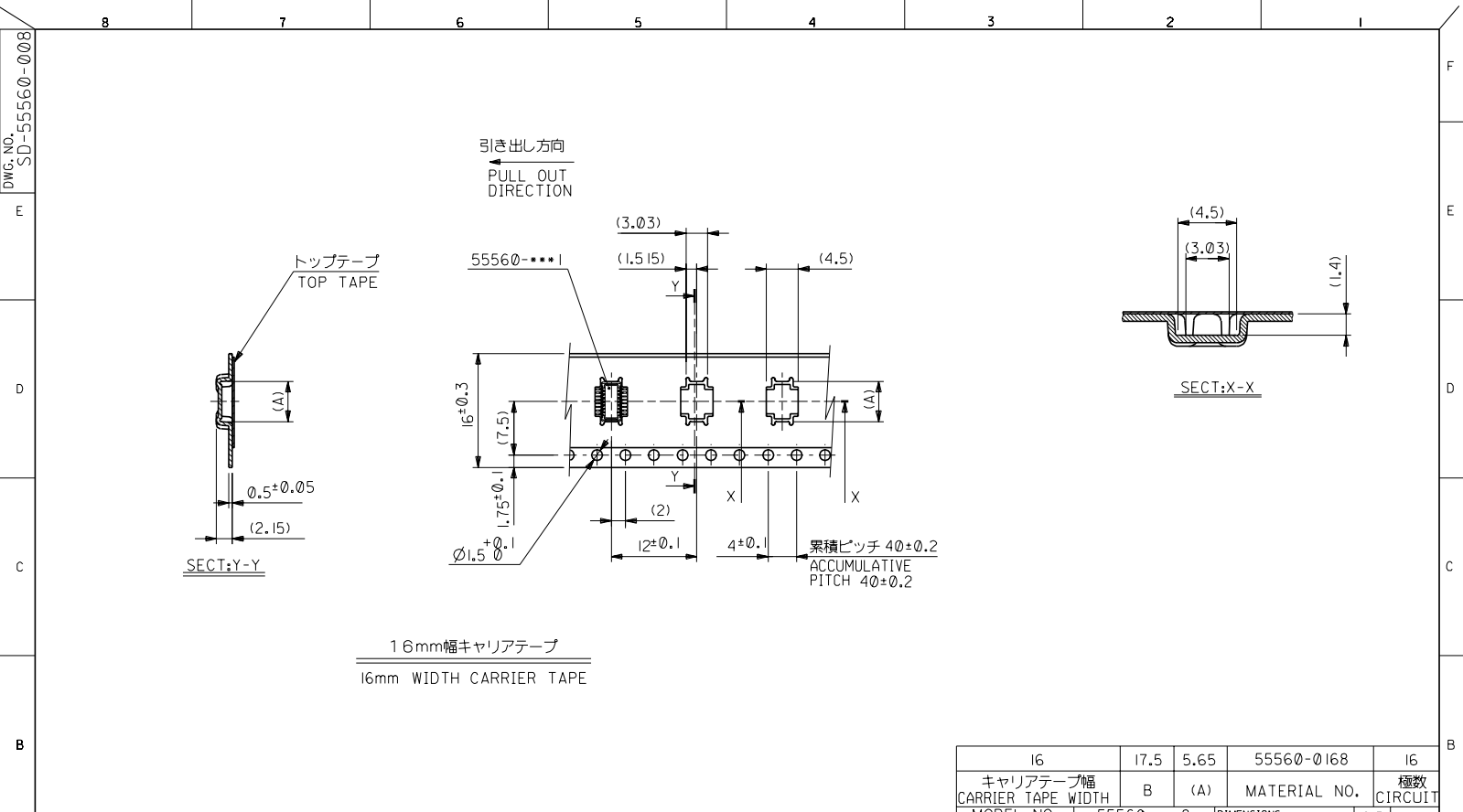
MATERIAL CARRIER TAPE:POLYPROPYLENE
TOP TAPE:PET,PE,PEF
REEL:POLYSTYREN(PS)
<RECYCLE MATERIAL CONTAINED>

DO NOT SCALE DRAWING

REV	0	PROPOSED JC2001-0402 DRWG: S.AIHARA 08/11/28 CHK: T.ITO APPR: M.FUKUSHIMA	MATERIAL 材料 注記参照 SEE NOTES	GENERAL TOLERANCES: (UNLESS SPECIFIED) 一般公差	SCALE 1/1	MODEL NO. 55560-***8	DIMENSIONS: mm INCH mm ONLY	SHT 1	REV
	A	REVISED JC2001-0604 DRWG: R.SHINA 01/01/30 CHK: T.ITO APPR: M.FUKUSHIMA	FINISH 仕上り //	10 UNDER 未満 +0.2	DRAWN BY & DATE S.AIHARA 00/11/28	DESIGN UNITS mm INCH	PROJECTION FIRST ANGLE		
			WIRE RANGE 適用電線範囲 //	10 OVER 以上 30 UNDER 未満 +0.25	CHECKED BY & DATE T.ITO 01/01/30	TITLE: 0.5 B-To-B Conn PLUG Assy (Hgt=1.5) Embstp Pkg			
			INS. RANGE 被覆外径 //	30 OVER 以上 +0.3	APPROVED BY & DATE M.FUKUSHIMA 01/01/30	MATERIAL NO. MOLEX INCORPORATED			
				ANGLE 角度 +3°	CAD FILENAME 55560008.S01	DRAWING NO. SD-55560-008	SHEET NO. 1 OF 3		

EN-02J(097) MXJ-54

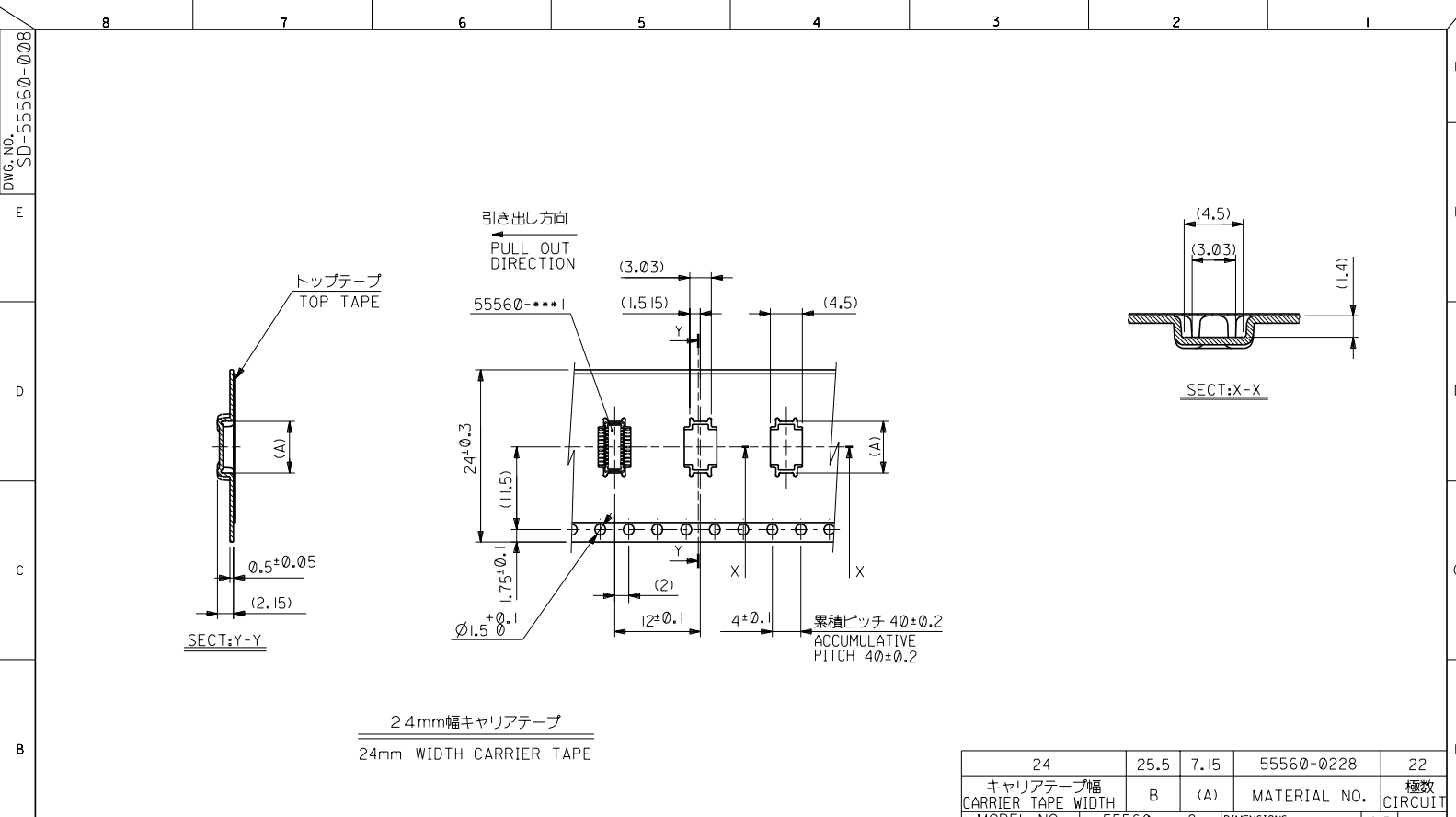
DWG. NO. SD-55560-008



16	17.5	5.65	55560-0168	16
キャリアテープ幅 CARRIER TAPE WIDTH		B	(A)	極数 CIRCUIT
MODEL NO.		55560-***8		DIMENSIONS:
				<input type="checkbox"/> mm <input type="checkbox"/> INCH <input checked="" type="checkbox"/> mm ONLY
				<input type="checkbox"/> mm <input type="checkbox"/> INCH <input checked="" type="checkbox"/> mm ONLY
				SHT REV
				REVISE ON CAD ONLY

DO NOT SCALE DRAWING	004NO. DRAWN: CHK: APPR: 003NO. DRAWN: CHK: APPR: 002NO. DRAWN: CHK: APPR:	REVISED 001NO. JC2001-0604 DRAWN: FASHINA 01/01/28 CHK: T.IITO APPR: M.FUKUSHIMA	PROPOSED 000NO. JC2001-0402 DRAWN: S.AIHARA 01/11/28 CHK: T.IITO APPR: M.FUKUSHIMA	MATERIAL 材料 SHEET 1 OF 3 参照 REFER TO SHEET 1 OF 3 FINISH 仕上り // WIRE RANGE 適用電線範囲 // INS. RANGE 被覆外径 //	GENERAL TOLERANCES: (UNLESS SPECIFIED) 一般公差 10 UNDER 未満 +0.2 30 OVER 以上 +0.25 30 OVER 以上 +0.3 ANGLE 角度 +3°	SCALE 1:1 DESIGN UNITS <input checked="" type="checkbox"/> mm <input type="checkbox"/> INCH DRAWN BY & DATE S.AIHARA 00/11/28 CHECKED BY & DATE T.IITO 01/01/30 APPROVED BY & DATE M.FUKUSHIMA 01/01/30 CAD FILENAME 55560008.S02	DIMENSIONS: <input checked="" type="checkbox"/> mm <input type="checkbox"/> INCH <input checked="" type="checkbox"/> mm ONLY <input type="checkbox"/> mm <input type="checkbox"/> INCH <input checked="" type="checkbox"/> mm ONLY TITLE: 0.5 B-To-B Conn PLUG Assy (Hgt=1.5) Embstp Pkg MOLEX INCORPORATED	MATERIAL NO. SEE CHART DRAWING NO. SD-55560-008 SHEET NO. 2 OF 3 SIZE B 55560008.S02
----------------------	---	--	--	---	--	---	---	--

EN-02(J097) MXJ-54



24	25.5	7.15	55560-0228	22
キャリアテープ幅 CARRIER TAPE WIDTH		B	(A)	極数 CIRCUIT
MODEL NO.		55560-***8		SHT REV
DIMENSIONS:		mm INCH mm ONLY		

01	02	03	04	05	06	07	08
REV	DESCRIPTION	INS. RANGE 被覆外径	WIRE RANGE 通用電線範囲	FINISH 仕上げ	MATERIAL 材料	SHEET 1 OF 2 参照 REFER TO SHEET 1 OF 2	
01	REVISED JC2001-0604 DRWG: RASHINA 01/01/30 CHK: T.IITO APPR: M.FUKUSHIMA	A		//		SHEET 1 OF 2 参照 REFER TO SHEET 1 OF 2	
02	PROPOSED JC2001-0402 DRWG: SAIHARA 01/11/28 CHK: T.IITO APPR: M.FUKUSHIMA	0		//		SHEET 1 OF 2 参照 REFER TO SHEET 1 OF 2	
GENERAL TOLERANCES: (UNLESS SPECIFIED) 一般公差		SCALE		DESIGN UNITS	PROJECTION		
10 UNDER 未満	+0.2	10 OVER 以上	30 UNDER 未満	+0.25	10 OVER 以上	30 UNDER 未満	+0.3
ANGLE 角度		DRAWN BY & DATE S.AIHARA 00/11/28		CHECKED BY & DATE T.IITO 01/01/30		APPROVED BY & DATE M.FUKUSHIMA 01/01/30	
CAD FILENAME 55560008.S03		MATERIAL NO. SEE CHART		DRAWING NO. SD-55560-008		SHEET NO. 3 OF 3	
DRAWING CONTAINS INFORMATION THAT IS PROPRIETARY TO MOLEX INCORPORATED AND SHOULD NOT BE USED WITHOUT WRITTEN PERMISSION.							
EN-02(J097) MXJ-54							