

図面番号(DRAWING NO.) SJ100432

版数 REV.	年月日 DATE	DGN NO.	変更内容 DESCRIPTION	製図 DR.	担当 CHK.	承認 APPD.	承認 APPR.
2	10.Mar.2004	054574	ADDED ITEMS		T.SHIODA	K.KAWASE	S.KASHIWAQI

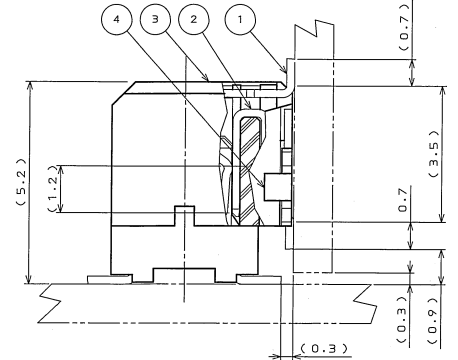
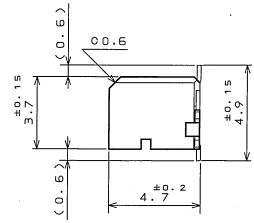
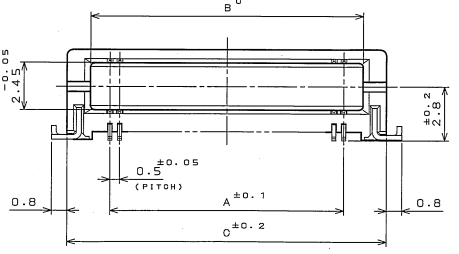
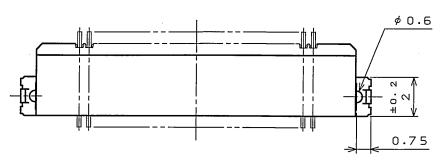


TABLE-1

NO. OF CONTACTS(N)	A	B	C	D
22	5.0	7.0	9.4	7.4
30	7.0	9.0	11.4	9.4
40	9.5	11.5	13.9	11.9
50	12.0	14.0	16.4	14.4
60	14.5	16.5	18.9	16.9
70	17.0	19.0	21.4	19.4
80	19.5	21.5	23.9	21.9
120	29.5	31.5	33.9	31.9

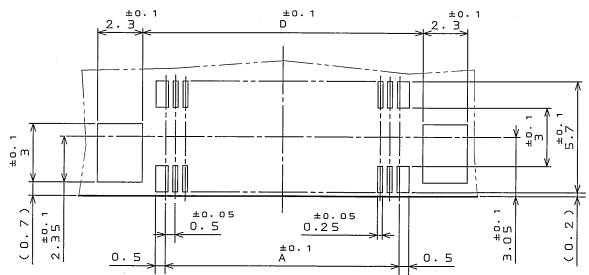
MATED CONDITION(REF.)

TABLE-2

FINISH	CONTACT AREA	TERMINAL AREA
A1E	GOLD(0.12μm MIN) OVER NICKEL	GOLD FLASH OVER NICKEL

NOTE1. COPLANARITY IS AS PER APPLICABLE SPECIFICATION.

1. 端子の振れ規定は運用仕様書による。



APPLICABLE P.C.B. DIMENSION(REF.)

4	HOLD DOWN	2	COPPER ALLOY	(LEAD FREE)TIN/TIN ALLOY	
3	INSULATOR	1	GLASS FILLED PPS		UL94V-0 COLOR:BLACK
2	CONTACT B	N/2	PHOSPHOR BRONZE	TABLE-2	
1	CONTACT A	N/2	PHOSPHOR BRONZE	TABLE-2	
符号 NO.	名称 DESCRIPTION	個数 QTY	材料 MATERIAL	仕上 FINISH	備考 REMARKS
	JACS-1385-*				
仕様書(SPECIFICATION)	原簿(ORIGINAL DATE)		原簿(ORIGINAL DATE)		
	4.Dec.2003		4.Dec.2003		
公差(GENERAL TOLERANCE)	製図 DR.	S.MIURA		名称(TITLE)	Reference Only
寸法(DIMENSION)	検査 CHK.	T.SHIODA		WR-XP-HF-HD-A1E	JAE CONNECTOR DIV. PROPRIETARY. COPYRIGHT (C) 2003. JAPAN AVIATION ELECTRONICS INDUSTRY, LTD.
. ±0.8	承認 APPD.	K.KAWASE		重量(WEIGHT)	
.X ±0.4	承認 APPD.	S.KASHIWAQI			
.XX ±0.1					
.XXX ±					
.XXX ±					

DDF-0-212E(03.09)



LEAD FREE この製品は鉛フリー品です

JAE CONNECTOR DIV. PROPRIETARY. COPYRIGHT (C) 2003. JAPAN AVIATION ELECTRONICS INDUSTRY, LTD.

図面番号(DRAWING NO.) SJ100432

SIZE A3
版数(REV.) 2