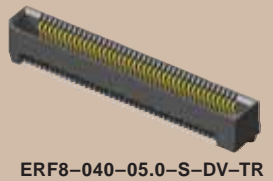




(0,80mm) .0315"

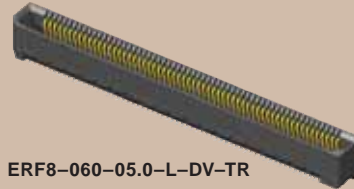
ERF8 SERIES

ERF8-020-05.0-S-DV-TR



ERF8-040-05.0-S-DV-TR

ERF8-060-05.0-L-DV-TR



# RUGGED HIGH SPEED SOCKET



- Edge Rate™ contacts
- Latching option
- Extended guide post option

## SPECIFICATIONS

For complete specifications and recommended PCB layouts see [www.samtec.com?ERF8](http://www.samtec.com?ERF8)

- Insulator Material:** Black LCP  
**Contact Material:** BeCu  
**Plating:** Au or Sn over 50µ" (1,27µm) Ni  
**Current Rating:** 2.1A @ 85°C  
**Operating Temp Range:** -55°C to + 125°C  
**Voltage Rating:** 200 VAC max  
**RoHS Compliant:** Yes



**Processing:** Lead-Free Solderable: Yes

**SMT Lead Coplanarity:** (0,10mm) .004" max (005-030)  
 (0,12mm) .005" max (040-060)  
 (0,15mm) .006" max (070-075)

**Board Mates:** ERM8

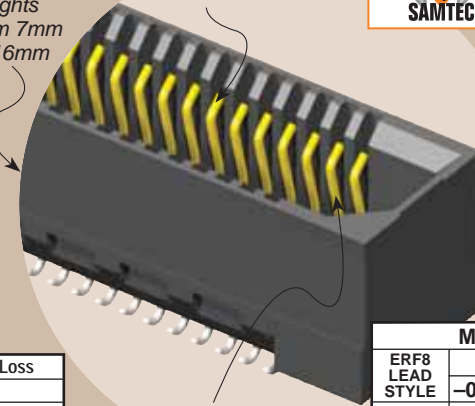
**Cable Mates:** ERCLA, ERDL2, ERCD, ERDP



0,80mm ERM8/ERF8	Rated @ 3dB Insertion Loss
7mm Stack Height	
Single-Ended Signaling	10.5 GHz / 21 Gbps
Differential Pair Signaling	9.5 GHz / 19 Gbps

Performance data for other stack heights and complete test data available at [www.samtec.com?ERF8](http://www.samtec.com?ERF8) or contact [sig@samtec.com](mailto:sig@samtec.com)

Stack Heights from 7mm to 16mm  
 20 to 150 I/Os



Robust Edge Rate™ contact improves "Zippered" unmating



ERF8 LEAD STYLE	ERM8 LEAD STYLE			
	-02.0	-05.0	-08.0	-09.0
-05.0	(7,00) .276	(10,00) .394	(13,00) .512	(14,00) .551
-07.0	(9,00) .354	(12,00) .472	(15,00) .591	(16,00) .629

\*Processing conditions will affect mated height.

**Protocols Supported**  
 PCI Express®  
 Download app notes at [www.samtec.com/appnote](http://www.samtec.com/appnote)  
 Contact SIG @ samtec.com for questions on protocols

ERF8 ■ NO. OF POSITIONS PER ROW ■ LEAD STYLE ■ PLATING OPTION ■ DV ■ OTHER OPTION ■ TR

-005, -010, -013, -020, -025, -030, -040, -050, -060, -070, -075

Specify LEAD STYLE from chart

-L = 10µ" (0,25µm) Gold on contact, Matte Tin on tail  
 -S = 30µ" (0,76µm) Gold on contact, Matte Tin on tail

-L = Latching (Lead Style -05.0 only) (Not available with -EGP option)  
 -EGP = Extended Guide Post (Lead Style -07.0 only) (Not available with -L option, or -013, -025 positions)

-TR = Tape & Reel Packaging

LEAD STYLE	A
-05.0	(5,10) .200
-07.0	(7,00) .276

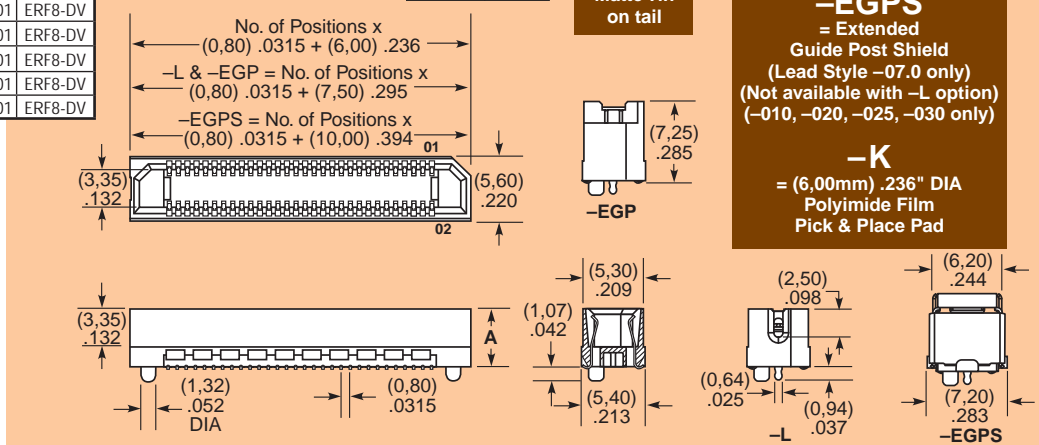
## APPLICATIONS

STANDARD	POS.	PART NOS.	SERIES
NEXUS5001™.org	11	ASP-137969-01	ERF8-DV
POWER.org™	17	ASP-130368-01	ERF8-DV
ARM/HSSTP	20	ASP-130367-01	ERF8-DV
NEXUS5001™.org	23	ASP-130368-01	ERF8-DV
POWER.org™	35	ASP-135029-01	ERF8-DV

## APPLICATION SPECIFIC

Other positions and mezzanine stack heights available.  
 Call Samtec.

**Note:** Some lengths, styles and options are non-standard, non-returnable.



Due to technical progress, all designs, specifications and components are subject to change without notice.

WWW.SAMTEC.COM