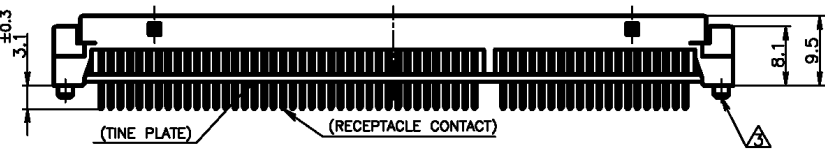
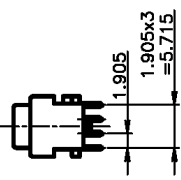
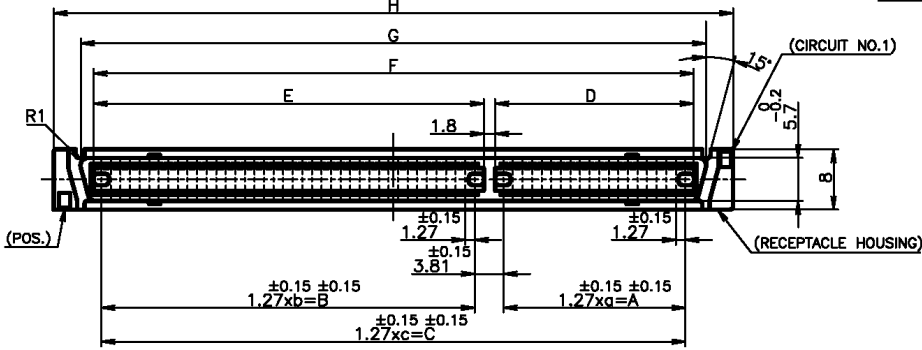
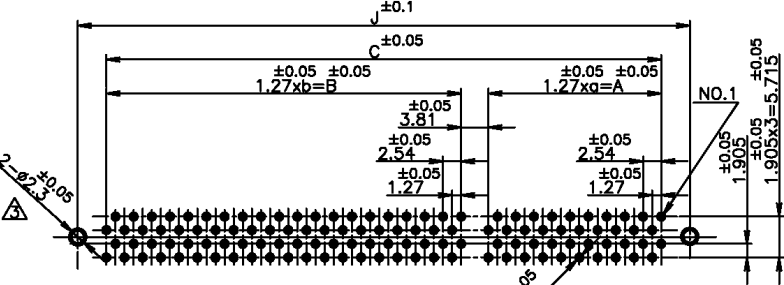


THIS DRAWING IS UNPUBLISHED. RELEASED FOR PUBLICATION AUG, 1989.  
 © COPYRIGHT 1989 BY TYCO ELECTRONICS CORPORATION. ALL RIGHTS RESERVED.

LOC	DIST	REVISIONS		
ES	00	#7	DATE	DBI
		DESCRIPTION		APVD
		0 RELEASE FJBO-0884-04	31Aug04	R.H. I.E.



- △ MATERIAL: HOUSING: GLASS FILLED 66NYLON (UL94V-0) BLACK CONTACT: PHOSPHOR-BRONZE
- △ FINISH: CONTACT: 0.0003 MIN. Au AT CONTACT AREA, 0.001 MIN. TIN AT TINE, OVER NI
- △ BOSS FOR POSITIONING: P/N -1, -2, -3, -4



180	39	49.53	49	62.23	---	115.57	51.53	64.23	117.57	120.66	128.19	125.54	-8
140	29	36.83	39	49.53	---	90.17	38.83	51.53	92.17	95.26	102.79	100.14	-6
120	19	24.13	39	49.53	---	77.47	26.13	51.53	79.47	82.56	90.09	87.44	-5
100	---	---	---	49	62.23	---	---	---	64.23	67.32	74.85	72.2	-4
80	---	---	---	39	49.53	---	---	---	51.53	54.62	62.15	59.5	-3
60	---	---	---	29	36.83	---	---	---	38.83	41.92	49.45	46.8	-2
40	---	---	---	19	24.13	---	---	---	26.13	29.22	36.75	34.1	-1
POS.	a	A	b	B	c	C	D	E	F	G	H	J	P/N

P.C. BOARD LAYOUT (CONNECTOR MOUNT SIDE)

LEAD FREE

GENERAL TOLERANCE  
 10 ≥ : ±0.2  
 30 > 10 : ±0.25  
 100 ≥ > 30 : ±0.3  
 ANGLES: ±3°

THIS DRAWING IS A CONTROLLED DOCUMENT.	
DIMENSIONS:	TOLERANCES UNLESS OTHERWISE SPECIFIED:
mm	0 PLC ±
	1 PLC ±
	2 PLC ±
	3 PLC ±
	4 PLC ±
	ANGLES ±
MATERIAL	FINISH

DATE	31Aug04	Tyco Electronics AMP K.K. Kawasaki, Japan
DRK	Roy Hao	
DATE	31Aug04	AMP FH CONNECTOR RECEPTACLE (VERTICAL)
DRK	STEVEN YAO	
DATE	31Aug04	RESTRICTED TO
APVD	J. ENOMOTO	
PRODUCT SPEC		
APPLICATION SPEC		
SIZE	A3	00779
DATE CODE	00779	0
DRAWING NO	5176372	
WEIGHT		
CUSTOMER DRAWING	SCALE	2:1
	SHEET	1 OF 1
	REV	0

AMP 1470-10 REV 31MAR2000

\\amp\_pe\G\All Guys\Carel Wang\9 Lead Free Projects\8057704-FH\_connector\c-5176372\_0.dwg