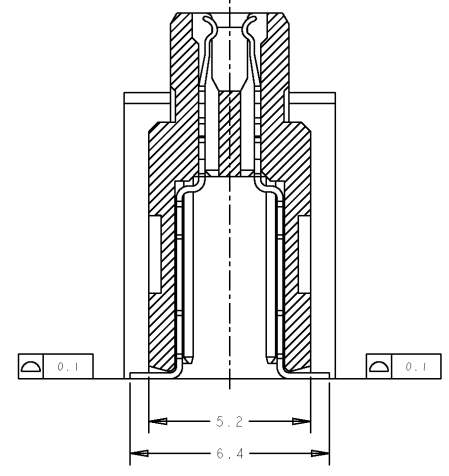
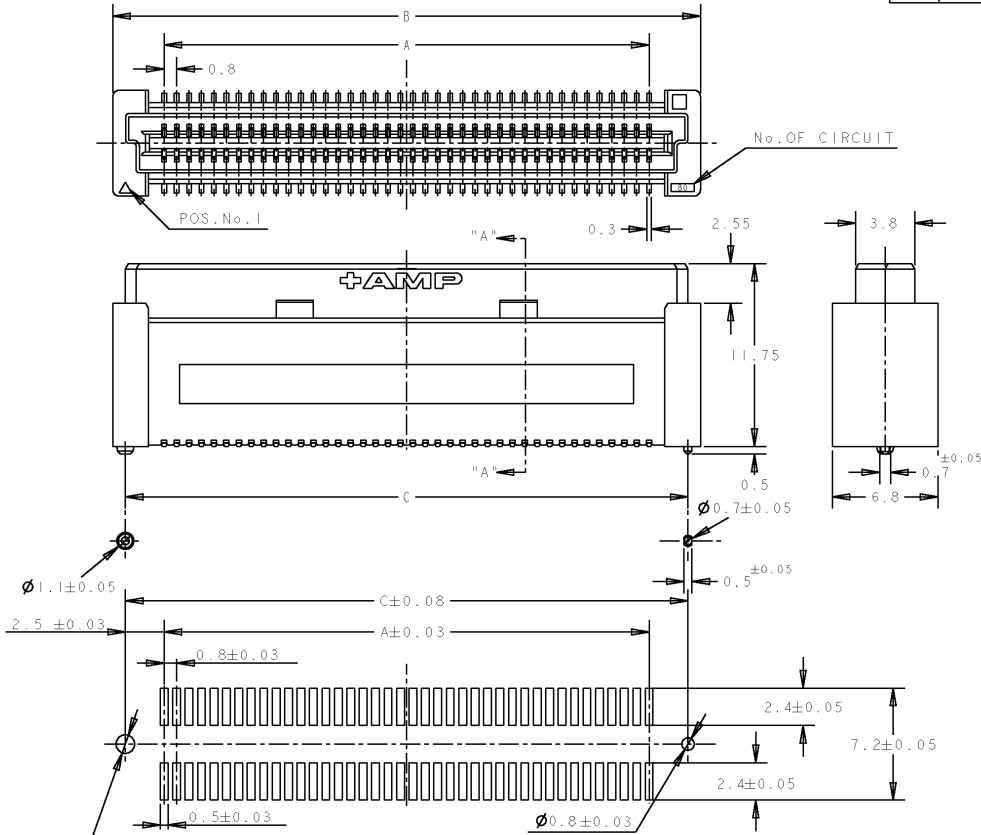


PROJ NO. 593-312  
C  
B  
A

THIS DRAWING IS UNPUBLISHED. RELEASED FOR PUBLICATION .19  
COPYRIGHT 19 BY - ALL RIGHTS RESERVED.

LOC	DIST	REVISIONS			
P	LTN	DESCRIPTION	DATE	DWN	APVD
P		REVISED PER ECO-11-005139	19MAR11	RK	HMR



- NOTES:
- △ MATERIALS:  
HOUSING: L.C.P (HIGH TEMP THERMO-PLASTIC)  
UL 94V-0, NATURAL.  
CONTACT: COPPER ALLOY.
  - △ FINISH:  
ENGAGEMENT AREA: 0.0020 MIN GOLD  
SOLDERING AREA: 0.0020 MIN MATTE TIN  
UNDERCOAT: 0.0013 MIN NICKEL ALL OVER
  - 3. POSITION SERIES: SEE TABLE. (SHEET 2)
  - 4. CONN STACK HEIGHT COMBINE OF PLUG "Y" H VS REC "X" H.  
STACK HEIGHT = Y + X - 5
  - △ OBSOLETE PARTS: OBSOLETE CIS STREAMLINING PER D.RENAUD/D.SINISI

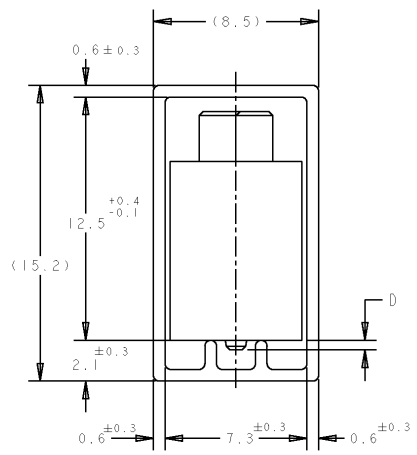
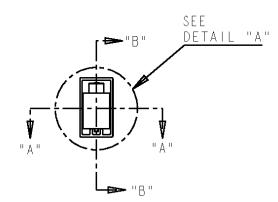
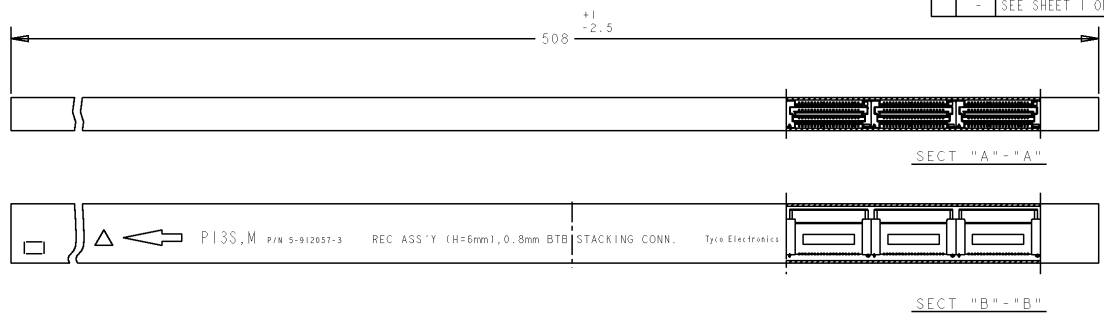


DWN FLORENCE 16AUG04		<b>STE</b> TE Connectivity	
CHK ERIC TNG			
APVD SF LEONG		NAME RECEPTACLE ASSEMBLY 13H TYPE FOR FH 0.8mm PITCH B-T-B CONNECTOR	
PRODUCT SPEC 108-5390		DRAWING NO. C-5179010	
APPLICATION SPEC 114-5254		SIZE A3	CAGE CODE 00779
WEIGHT -		SCALE 4:1	
CUSTOMER DRAWING		SHEET 1 OF 2 REV P	

AMP 1470-19 REV 09MAY94

THIS DRAWING IS UNPUBLISHED. RELEASED FOR PUBLICATION .19  
 BY - ALL RIGHTS RESERVED.

LOC	DIST	REVISIONS			
P	LTN	DESCRIPTION	DATE	DWN	APVD
DY	-	SEE SHEET 1 OF 2	-	-	-



DETAIL "A"  
(SCALE 5-1)

**OBSELETE**

	84.20	85.80	79.20	200	6-	-0
	76.20	77.80	71.20	180	5-	-9
	68.20	69.80	63.20	160	5-	-8
	60.20	61.80	55.20	140	5-	-6
	52.20	53.80	47.20	120	5-	-5
	44.20	45.80	39.20	100	5-	-4
	36.20	37.80	31.20	80	5-	-3
	28.20	29.80	23.20	60	5-	-2
	20.20	21.80	15.20	40	5-	-1
	84.20	85.80	79.20	200	1-	-0
	76.20	77.80	71.20	180		-9
	68.20	69.80	63.20	160		-8
	60.20	61.80	55.20	140		-6
	52.20	53.80	47.20	120		-5
	44.20	45.80	39.20	100		-4
	36.20	37.80	31.20	80		-3
	28.20	29.80	23.20	60		-2
	0.8	20.20	21.80	15.20	40	5179010-1
	D	C	B	A	POS.	PART No.

DIMENSIONS: mm		TOLERANCES UNLESS OTHERWISE SPECIFIED: 0 PLC ± 1 PLC ±0.30 2 PLC ±0.25 3 PLC ±0.20 4 PLC ± ANGLES ±5°		DWN FLORENCE TAN 16AUG04 CHK ERIC TNG APVD SF LEONG PRODUCT SPEC 108-5390 APPLICATION SPEC 114-5254 WEIGHT - CUSTOMER DRAWING		<b>STE</b> TE Connectivity RECEPTACLE ASSEMBLY 13H TYPE FOR FH 0.8mm PITCH B-T-B CONNECTOR	
MATERIAL		FINISH		SIZE A3	CAGE CODE 00779	DRAWING NO C-5179010	
				SCALE 4:	SHEET 2 OF 2	REV P	