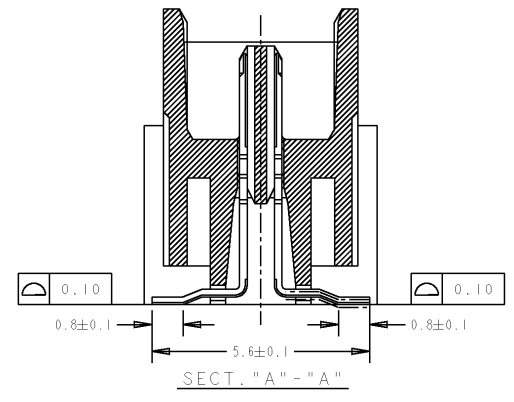
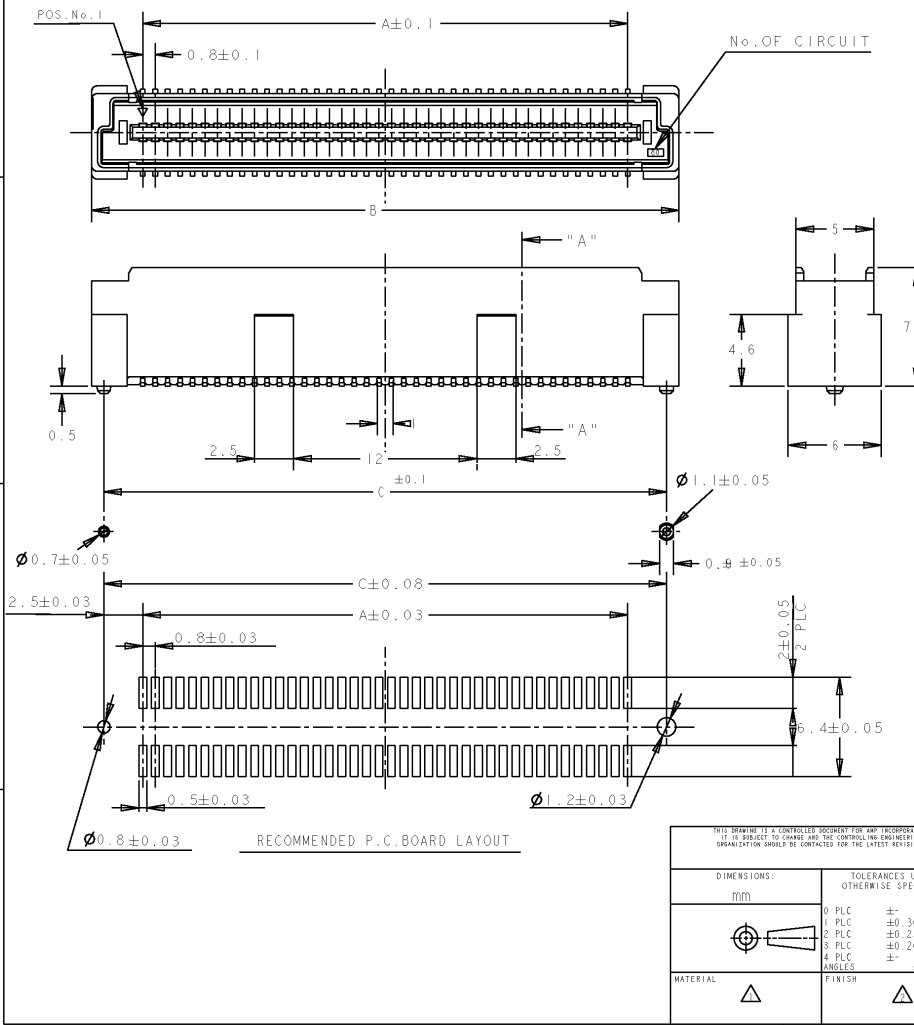


THIS DRAWING IS UNPUBLISHED. RELEASED FOR PUBLICATION
 COPYRIGHT 19 BY AMP INCORPORATED. ALL RIGHTS RESERVED.

LOC	DIST	REVISIONS					
DY	-	P	LTN	DESCRIPTION	DATE	DWN	APVD
		A2		REVISED PER ECR-09-022907	20OCT2009	SYJ	LSF
		A3		REVISED PER ECO-10-003194	20JAN10	KK	HMR

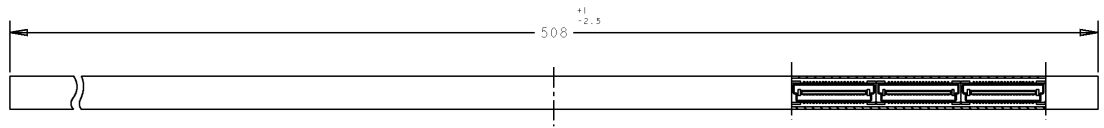


- NOTES:
- △ MATERIAL:
HOUSING: L.C.P.(HIGH TEMP THERMO PLASTIC)
UL-94V-0, NATURAL.
CONTACT: BRASS.
 - △ FINISH:
CONTACT AREA: 0.0002 MIN GOLD
SOLDERING AREA: 0.0020 MIN MATTE-TIN
UNDERPLATE: 0.0013 MIN NICKEL ALL OVER
 - 3. POSITION SERIES: SEE TABLE.
 - 4. CONN STACK HEIGHT COMBINE OF PLUG "Y" VS REC "X".
STACK HEIGHT = Y + X - 5
 - △ OBSOLETE PARTS: OBSOLETE CIS STREAMLINING PER D.RENAUD/D.SINISI

THIS DRAWING IS A CONTROLLED DOCUMENT FOR AMP INCORPORATED. IT IS SUBJECT TO CHANGE AND THE CONTROLLING ENGINEERING ORGANIZATION SHOULD BE CONTACTED FOR THE LATEST REVISION.		DWN FLORENCE TAN 28 JUL 04	Tyco Electronics Corporation Singapore	
DIMENSIONS: mm		CHK ERIC TNG	NAME PLUG ASSEMBLY 8H TYPE (0.5 BOSS LENGTH) FOR FH 0.8MM PITCH B-T-B CONNECTOR	
TOLERANCES UNLESS OTHERWISE SPECIFIED:		APVD SF LEONG	PRODUCT SPEC 108-5390	
0 PLC ± 1 PLC ±0.30 2 PLC ±0.25 3 PLC ±0.20 4 PLC ± ANGLES ±5°		APPLICATION SPEC 114-5254	WEIGHT -	SIZE A3
MATERIAL △	FINISH △	CAGE CODE 00779	DRAWING NO C-5179031	SCALE 4:
CUSTOMER DRAWING		SHEET 1 of 2		REV A3

AMP 1470-19 REV 09M194

LOC	DY	DIST	-	REVISIONS		
P	LT	DATE	DESCRPTION	DWN	APVD	
			SEE SHEET 1			

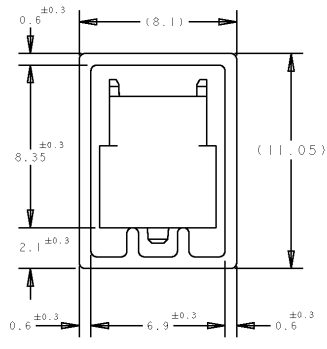
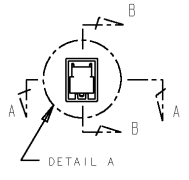


SECT A-A



REFERENCE PICTURE OF TUBE PACK

SECT B-B



OBSOLETE	11	40.2	41.8	35.2	90	1-	2
	14	32.2	33.8	27.2	70	/	-1
	5	84.2	85.8	79.2	200	1-	-0
	6	76.2	77.8	71.2	180		-9
	6	68.2	69.8	63.2	160		-8
	7	60.2	61.8	55.2	140		-6
	9	52.2	53.8	47.2	120		-5
	10	44.2	45.8	39.2	100		-4
	12	36.2	37.8	31.2	80		-3
	16	28.2	29.8	23.2	60		-2
22	20.2	21.8	15.2	40		5179031-1	
QTY/TUBE	C	B	A	POS.	CONN	P/N	

THIS DRAWING IS A CONTROLLED DOCUMENT FOR AMP INCORPORATED. IT IS SUBJECT TO CHANGE AND THE CONTROLLING ENGINEERING ORGANIZATION SHOULD BE CONTACTED FOR THE LATEST REVISION.		DWN FLORENCE 28 JUL 04 CHK ERIC TNG APVD SF LEONG PRODUCT SPEC 108-5390 APPLICATION SPEC 114-5254 WEIGHT - CUSTOMER DRAWING	Tyco Electronics Corporation Singapore NAME PLUG ASSEMBLY 8H TYPE (0.5 BOSS LENGTH) FOR FH 0.8MM PITCH B-T-B CONNECTOR SIZE A3 CAGE CODE 00779 DRAWING NO C-5179031 SCALE 4:1 SHEET 2 OF 2 REV A3
DIMENSIONS: mm 	TOLERANCES UNLESS OTHERWISE SPECIFIED: 0 PLC ± 1 PLC ±0.30 2 PLC ±0.25 3 PLC ±0.20 4 PLC ± ANGLES ±°	MATERIAL 	FINISH