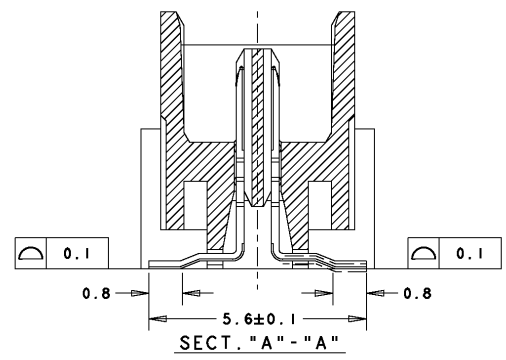
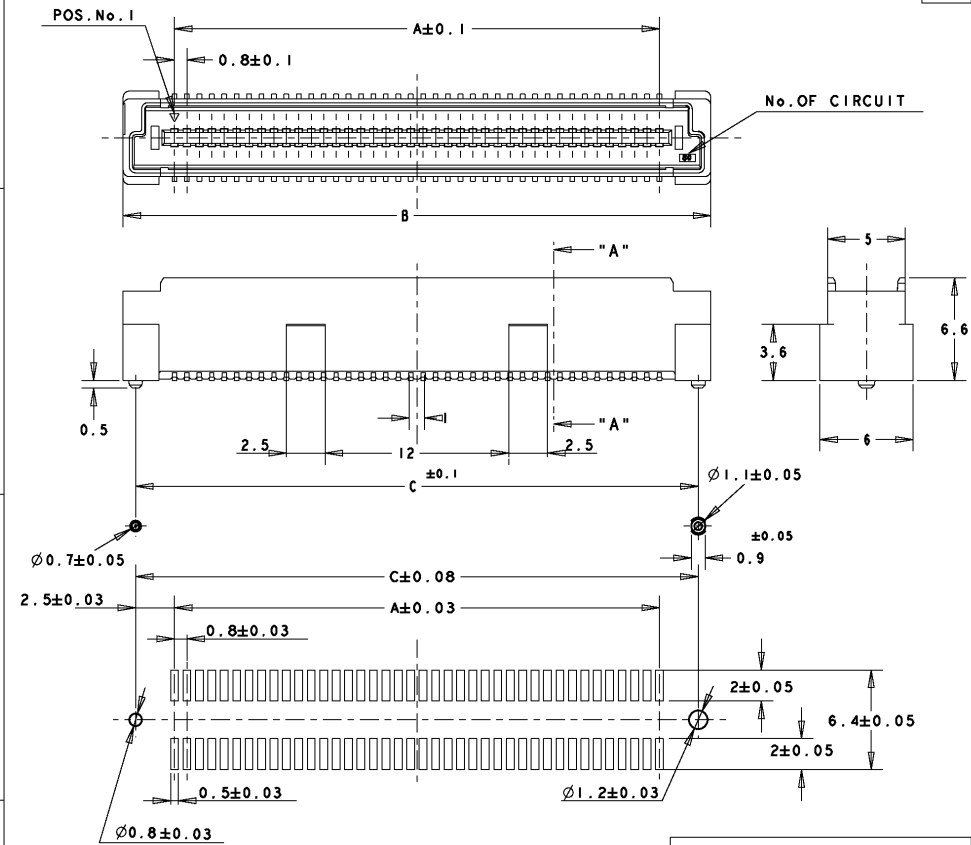


THIS DRAWING IS UNPUBLISHED. RELEASED FOR PUBLICATION .19
 COPYRIGHT 19 BY - ALL RIGHTS RESERVED.

LOC	DIST	REVISIONS			
P	LTR	DESCRIPTION	DATE	DRN	APVD
B1		REVISED PER ECO-11-005139	19MAR11	RK	HMR



- NOTES:
- ⚠ MATERIAL:
HOUSING: L.C.P. (HIGH TEMP THERMO PLASTIC)
UL 94V-0, NATURAL.
CONTACT: BRASS.
 - ⚠ FINISH:
CONTACT AREA: 0.0002 MIN GOLD ON
0.0013 MIN ALL OVER NICKEL.
 - 3. SOLDERING AREA: 0.002 MIN MATTE-TIN.
 - 4. POSITION SERIES: SEE TABLE.
 - CONN STACK HEIGHT COMBINE OF PLUG "Y" H VS REC "X" H.
STACK HEIGHT = Y + X - 5
 - ⚠ FINISH:
CONTACT AREA: 0.00076 MIN GOLD ON
0.0013 MIN ALL OVER NICKEL.
SOLDERING AREA: 0.002 MIN MATTE-TIN.
 - ⚠ OBSOLETE PARTS: OBSOLETE CIS STREAMLINING PER
D.RENAUD/D.SINISI.
 - ⚠ FINISH:
CONTACT AREA: 0.00039 MIN GOLD ON
0.0013 MIN ALL OVER NICKEL.
SOLDERING AREA: 0.002 MIN MATTE-TIN.

P/N SEE SHEET 2 AND 3 OF 3

DIMENSIONS: mm 		TOLERANCES UNLESS OTHERWISE SPECIFIED: 0 PLC ± 1 PLC ±0.30 2 PLC ±0.25 3 PLC ±0.20 4 PLC ± ANGLES ±° FINISH SEE P/N TABLE		DWN FLORENCE TAN 30AUG04 CDR ERIC ING APVD SF LEONG PRODUCT SPEC 108-5390 APPLICATION SPEC 114-5254 WEIGHT - CUSTOMER DRAWING		STE TE Connectivity NAME PLUG ASSEMBLY 7H TYPE (0.5 BOSS LENGTH) FOR FH 0.8mm PITCH B-T-B CONNECTOR SIZE A3 CAGE CODE 00779 DRAWING NO C-5179030 SCALE 4:1 SHEET 1 of 3 REV B1	
-----------------------	--	--	--	---	--	--	--

AMP 1470-19 REV 08MAY94

4

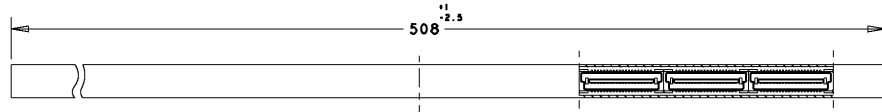
3

2

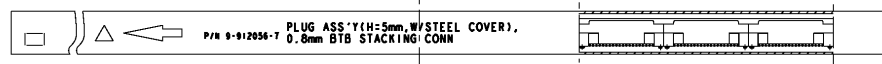
1

THIS DRAWING IS UNPUBLISHED. RELEASED FOR PUBLICATION .19
 COPYRIGHT 19 BY ALL RIGHTS RESERVED.

LOC	DIST	REVISIONS			
P	LTN	DESCRIPTION	DATE	BY	APPD
-	-	SEE SHEET 1	-	-	-

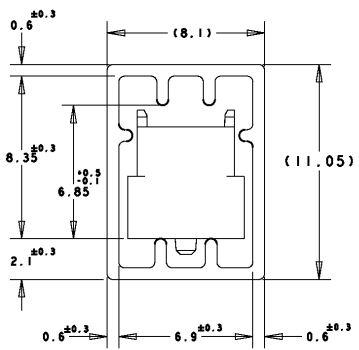
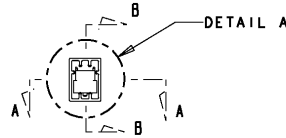


SECT A-A



REFERENCE PICTURE OF TUBE PACK

SECT B-B



DETAIL "B" (SCALE 5-1)

CNT	PLT	5	6	7	8	9	10	11	12	13	14	15	16	17	18	19	20	21	22	23	24	25	26	27	28	29	30	31	32	33	34	35	36	37	38	39	40
CNT PLT 19A+/5A	NOT AVAILABLE	84.2	85.8	79.2	200	4-	-0																														
		76.2	77.8	71.2	180	3-	-9																														
		68.2	69.8	63.2	160	3-	-8																														
		60.2	61.8	55.2	140	3-	-6																														
		52.2	53.8	47.2	120	3-	-5																														
		44.2	45.8	39.2	100	3-	-4																														
CNT PLT 30A+/5A	AVAILABLE	36.2	37.8	31.2	80	3-	-3																														
		28.2	29.8	23.2	60	3-	-2																														
		20.2	21.8	15.2	40	3-	-1																														
		84.2	85.8	79.2	200	2-	-0																														
		76.2	77.8	71.2	180	1-	-9																														
		68.2	69.8	63.2	160	1-	-8																														
CNT PLT 08A+/5A	AVAILABLE	64.2	65.8	59.2	150	1-	-7																														
		60.2	61.8	55.2	140	1-	-6																														
		52.2	53.8	47.2	120	1-	-5																														
		44.2	45.8	39.2	100	1-	-4																														
		36.2	37.8	31.2	80	1-	-3																														
		28.2	29.8	23.2	60	1-	-2																														
CNT PLT 08A+/5A	AVAILABLE	20.2	21.8	15.2	40	1-	-1																														
		84.2	85.8	79.2	200	1-	-0																														
		76.2	77.8	71.2	180		-9																														
		68.2	69.8	63.2	160		-8																														
		64.2	65.8	59.2	150		-7																														
		60.2	61.8	55.2	140		-6																														
CNT PLT 08A+/5A	AVAILABLE	52.2	53.8	47.2	120		-5																														
		44.2	45.8	39.2	100		-4																														
		36.2	37.8	31.2	80		-3																														
		28.2	29.8	23.2	60		-2																														
		20.2	21.8	15.2	40		-1																														
		84.2	85.8	79.2	200		-0																														
FINISH	AVAILABILITY	QTY/TUBE	C	B	A	POS.	CONN	P/N																													

DIMENSIONS: mm 		TOLERANCES UNLESS OTHERWISE SPECIFIED: 0 PLC ± 1 PLC ±0.30 2 PLC ±0.25 3 PLC ±0.20 4 PLC ± ANGLES ± FINISH SEE P/N TABLE		OWN: FLORENCE TAN CMC: ERIC ING APPD: SF LEONG PRODUCT SPEC: 108-5390 APPLICATION SPEC: 114-5254 WEIGHT: - CUSTOMER DRAWING		30AUG04 TE Connectivity NAME: PLUG ASSEMBLY 7H TYPE (0.5 BOSS LENGTH) FOR FH 0.8mm PITCH B-T-B CONNECTOR SIZE: A3 CAGE CODE: 00779 DRAWING NO: C-5179030 SCALE: 4:1 SHEET: 2 of 3 REV: B1	
--------------------	--	---	--	---	--	---	--

AMP 1470-19 REV 08MAY84

PROJ NO. 593-312

C

B

A

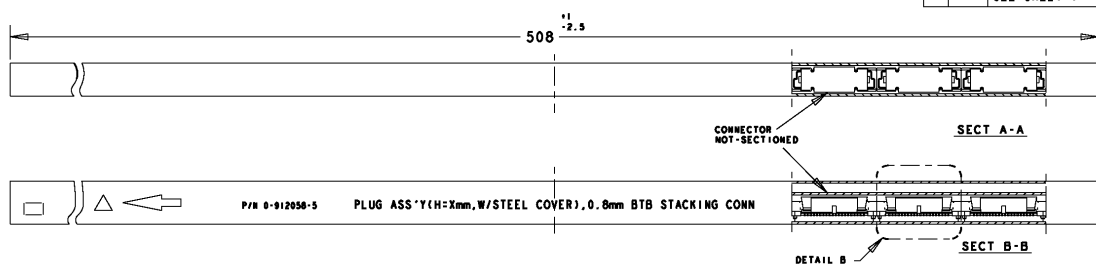
4

3

2

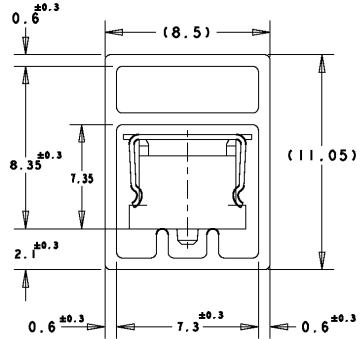
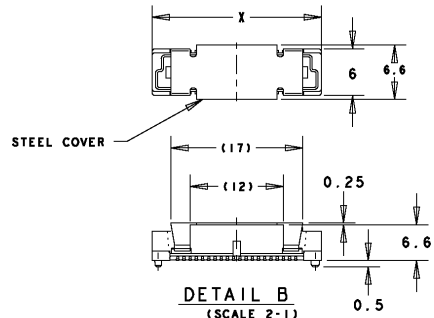
1

THIS DRAWING IS UNPUBLISHED.		RELEASED FOR PUBLICATION .19		LOC	DIST	REVISIONS					
COPYRIGHT 19 BY - ALL RIGHTS RESERVED.				DY	-	P	LTN	DESCRIPTION	DATE	BY	APPD
				SEE SHEET 1							



P/N 8-912050-5 PLUG ASS'Y (H=Xmm, W/STEEL COVER), 0.8mm BTB STACKING CONN

PLUG TUBE ASSY WITH STEEL COVER FOR FH 0.8 B-T-B CONNECTOR



CMT P/LT 30AUG04 WITH STEEL COVER	AVAILABLE	5	85.8	200	3-	-0
		6	77.8	180	2-	-9
		6	69.8	160	2-	-8
		7	65.8	150	2-	-7
	AVAILABLE	7	61.8	140	2-	-6
		9	53.8	120	2-	-5
		10	45.8	100	2-	-4
		12	37.8	80	2-	-3
		16	29.8	60	2-	-2
		22	21.8	40	2-5	179030-1
FINISH/REMARKS	AVAILABILITY	QTY/TUBE	X	POS.	CONN	P/N

DIMENSIONS: mm 		TOLERANCES UNLESS OTHERWISE SPECIFIED: 0 PLC ± 1 PLC ±0.30 2 PLC ±0.25 3 PLC ±0.20 4 PLC ± ANGLES 45° FINISH SEE P/N TABLE		DWN FLORENCE TAN CMC ERIC ING APPD SF LEONG PRODUCT SPEC 108-5390 APPLICATION SPEC 114-5254 WEIGHT - CUSTOMER DRAWING		NAME PLUG ASSEMBLY 7H TYPE (0.5 BOSS LENGTH) FOR FH 0.8mm PITCH B-T-B CONNECTOR SIZE A3 CAGE CODE 00779 DRAWING NO. 5179030	
MATERIAL		FINISH		SCALE		SHEET 3 of 3 REV B1	

AMP 1470-19 REV 08MAY04